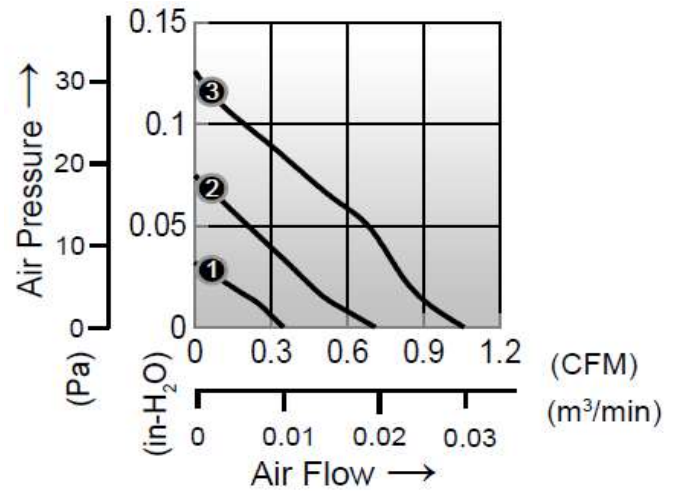
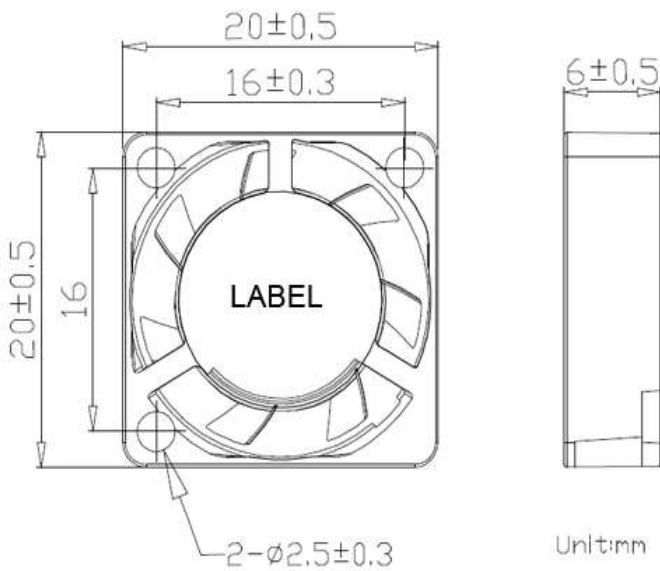


AD2006GE SERIES

- Size: 20 x 20 x 06mm
- Housing: Plastic (UL 94V-0)
- Impeller: Plastic (UL 94V-0)
- Motor: 4 Pole Brushless DC Motor
- Operating Temperature: -10°C ~ +70°C
- Insulation: Class A
- Weight: 4.0g

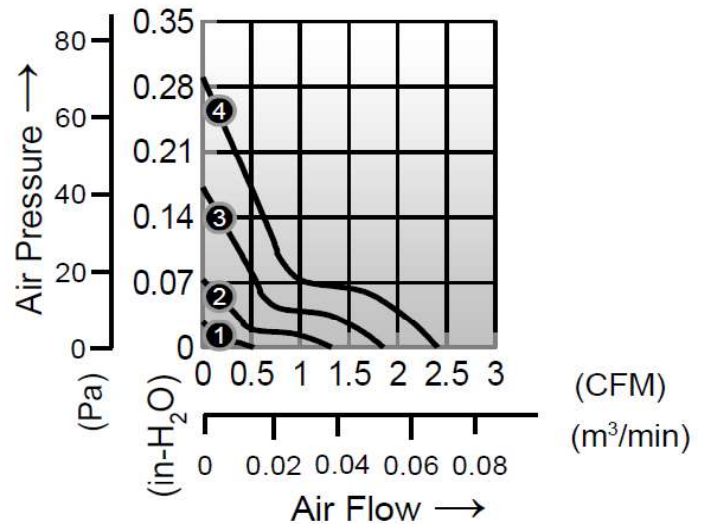
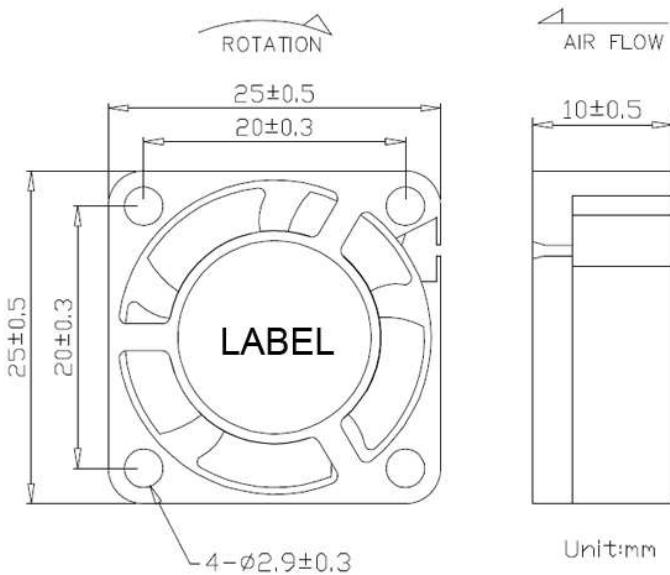


Model Number	Voltage	Current	Power	Speed	Air Flow	Pressure	Noise
	(V)	(A)	(W)	(RPM)	(CFM)	(inH2O)	dB(A)
① AD2006V5FLWGE	5	0.02	0.10	7000	0.35	0.03	10
② AD2006V5FMWGE	5	0.05	0.25	10000	0.71	0.07	16
③ AD2006V5FHWGE	5	0.10	0.50	13000	1.06	0.13	16

F : Fluid bearing

AD2510GE SERIES

- Size: 25 x 25 x 10mm
- Housing: Plastic (UL 94V-0)
- Impeller: Plastic (UL 94V-0)
- Motor: 4 Pole Brushless DC Motor
- Operating Temperature: -10°C ~ +70°C
- Insulation: Class A
- Weight: 8.0g

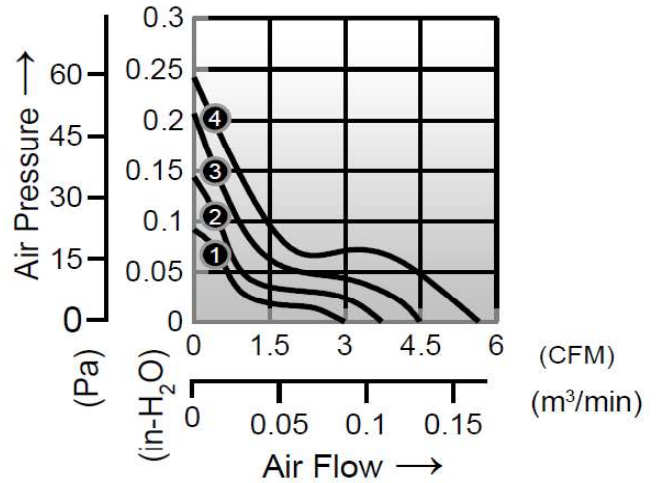
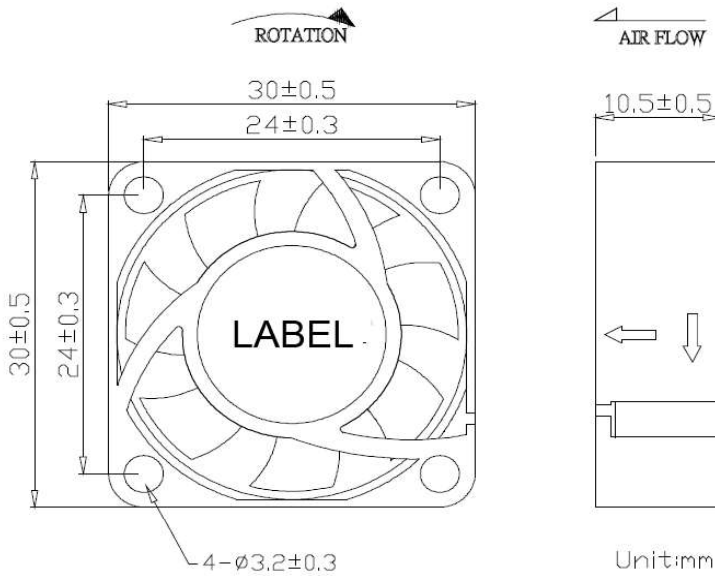


Model Number	Voltage	Current	Power	Speed	Air Flow	Pressure	Noise
	(V)	(A)	(W)	(RPM)	(CFM)	(inH2O)	dB(A)
① AD2510V05_JWGE	5	0.05	0.25	4000	0.52	0.03	10
① AD2510V12_LWGE	12	0.07	0.84	7000	1.32	0.07	20
② AD2510V05_LWGE	5	0.08	0.40	7000	1.32	0.07	20
② AD2510V12_MWGE	12	0.08	0.96	10000	1.85	0.17	24
③ AD2510V05_MWGE	5	0.13	0.65	10000	1.85	0.17	24
④ AD2510V05_HWGE	5	0.22	1.10	13000	2.41	0.29	28
④ AD2510V12_HWGE	12	0.12	1.44	13000	2.41	0.29	28
④ AD2510V24_HWGE	24	0.07	1.68	13000	2.41	0.29	28

_ for B / F = Ball Bearing / Fluid Bearing

AD3010GE SERIES

- Size: 30 x 30 x 10mm
- Housing: Plastic (UL 94V-0)
- Impeller: Plastic (UL 94V-0)
- Motor: 4 Pole Brushless DC Motor
- Operating Temperature: -10°C ~ +70°C
- Insulation: Class A
- Weight: 10.0g

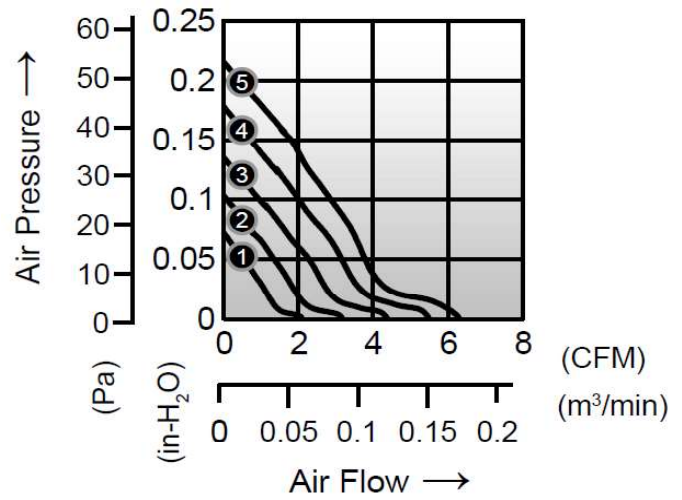
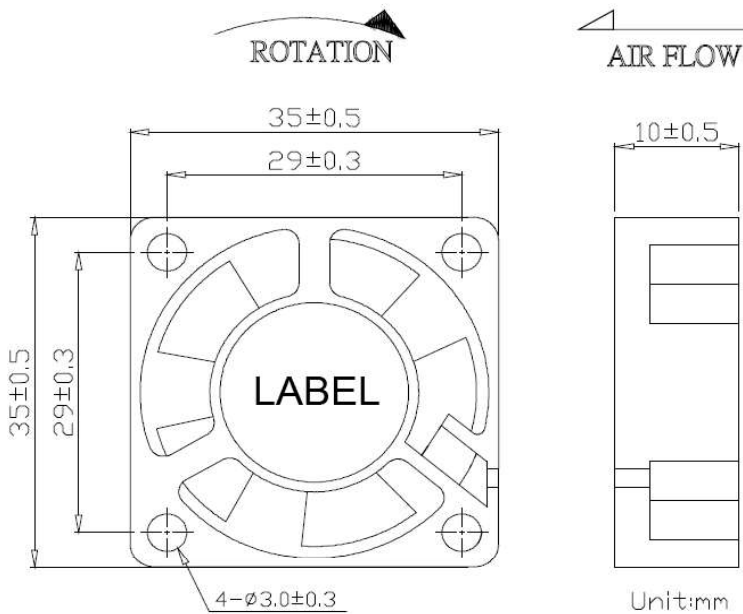


Model Number	Voltage	Current	Power	Speed	Air Flow	Pressure	Noise
	(V)	(A)	(W)	(RPM)	(CFM)	(inH2O)	dB(A)
① AD3010V05_LWGE	5	0.09	0.45	6000	2.99	0.09	17
① AD3010V12_LWGE	12	0.03	0.36	6000	2.99	0.09	17
② AD3010V05_MWGE	5	0.12	0.60	7500	3.73	0.14	24
② AD3010V12_MWGE	12	0.05	0.60	7500	3.73	0.14	24
③ AD3010V05_HWGE	5	0.24	1.20	9000	4.48	0.21	29
③ AD3010V12_HWGE	12	0.07	0.84	9000	4.48	0.21	29
④ AD3010V05_UWGE	5	0.27	1.35	11000	5.65	0.24	31
④ AD3010V12_UWGE	12	0.09	1.08	11000	5.65	0.24	31

_ for B / F = Ball Bearing / Fluid Bearing

AD3510GE SERIES

- Size: 35 x 35 x 10mm
- Housing: Plastic (UL 94V-0)
- Impeller: Plastic (UL 94V-0)
- Motor: 4 Pole Brushless DC Motor
- Operating Temperature: -10°C ~ +70°C
- Insulation: Class A
- Weight: 11.0g

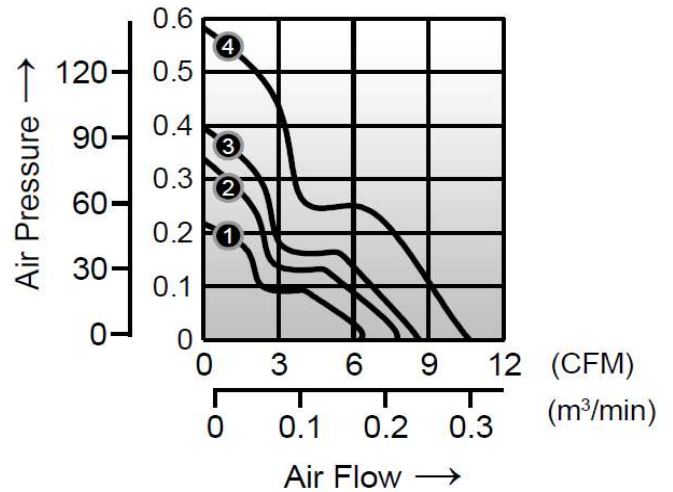
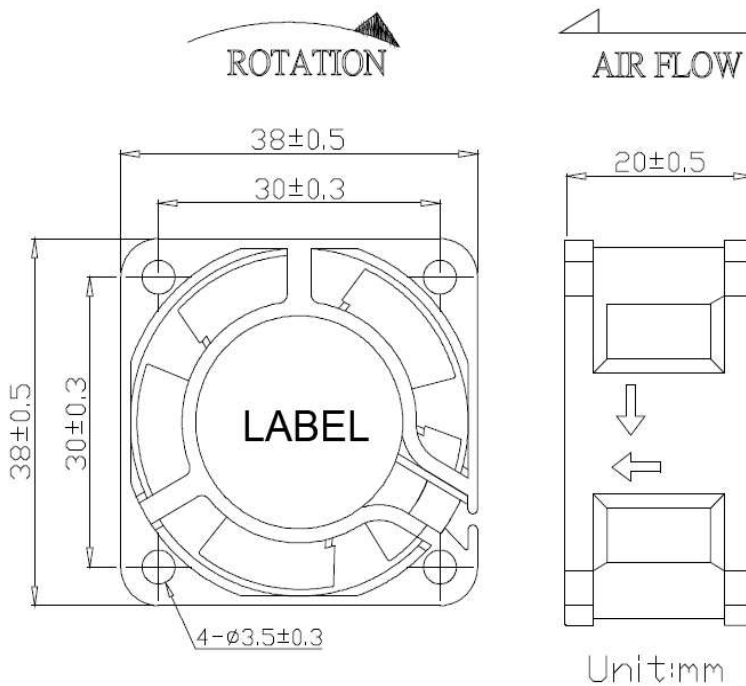


Model Number	Voltage	Current	Power	Speed	Air Flow	Pressure	Noise
	(V)	(A)	(W)	(RPM)	(CFM)	(inH ₂ O)	dB(A)
① AD3510V05_MWGE	5	0.05	0.25	5000	2.10	0.07	18
② AD3510V05_HWGE	5	0.06	0.30	6000	3.17	0.10	20
③ AD3510V05_UWGE	5	0.07	0.35	7000	4.37	0.14	23
③ AD3510V12_UWGE	12	0.03	0.36	7000	4.37	0.14	23
④ AD3510V05_VWGE	5	0.04	0.20	8000	5.51	0.18	25
④ AD3510V12_VWGE	12	0.04	0.48	8000	5.51	0.18	25
⑤ AD3510V05_WWGE	5	0.01	0.05	9000	6.30	0.22	28
⑤ AD3510V12_WWGE	12	0.07	0.84	9000	6.30	0.22	28

_ for B / F = Ball Bearing / Fluid Bearing

AD3820GE SERIES

- Size: 38 x 38 x 20mm
- Housing: Plastic (UL 94V-0)
- Impeller: Plastic (UL 94V-0)
- Motor: 4 Pole Brushless DC Motor
- Operating Temperature: -10°C ~ +70°C
- Insulation: Class A
- Weight: 31.0g

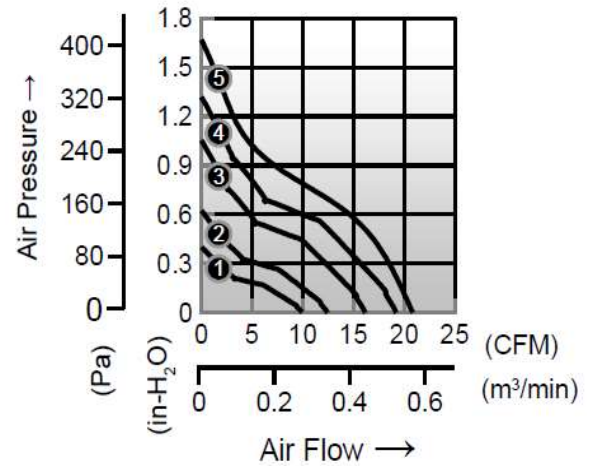
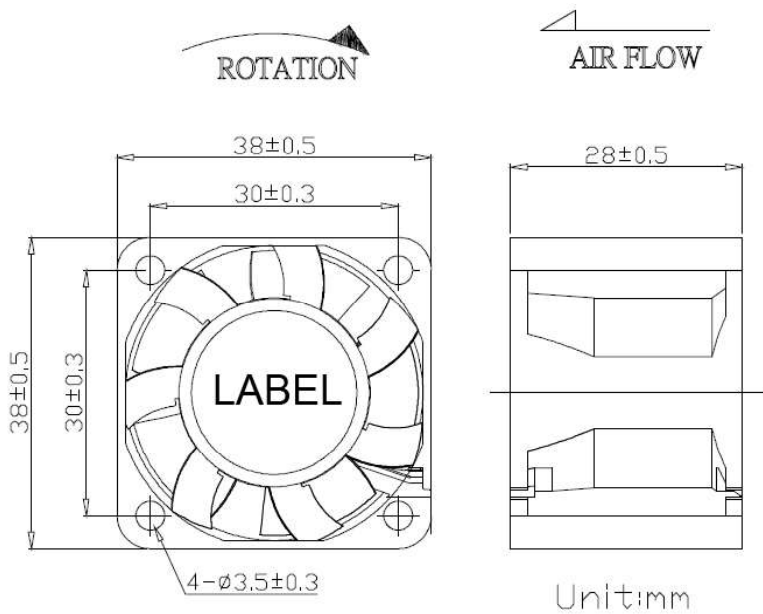


Model Number	Voltage	Current	Power	Speed	Air Flow	Pressure	Noise
	(V)	(A)	(W)	(RPM)	(CFM)	(inH2O)	dB(A)
① AD3820V12BLWGE	12	0.10	1.20	6700	6.3	0.22	36
① AD3820V24BLWGE	24	0.07	1.68	6700	6.3	0.22	36
② AD3820V12BMWGE	12	0.12	1.44	8000	7.4	0.34	40
② AD3820V24BMWGE	24	0.07	1.68	8000	7.4	0.34	40
③ AD3820V12BHWGE	12	0.13	1.56	8900	8.6	0.39	42
③ AD3820V24BHWGE	24	0.09	2.16	8900	8.6	0.39	42
④ AD3820V12BUWGE	12	0.30	3.60	10000	10.6	0.58	43
④ AD3820V24BUWGE	24	0.17	4.08	10000	10.6	0.58	43

B = Ball Bearing

AD3828GB SERIES

- Size: 38 x 38 x 28mm
- Housing: Plastic (UL 94V-0)
- Impeller: Plastic (UL 94V-0)
- Motor: 4 Pole Brushless DC Motor
- Operating Temperature: -10°C ~ +70°C
- Insulation: Class A
- Weight: 40.0g

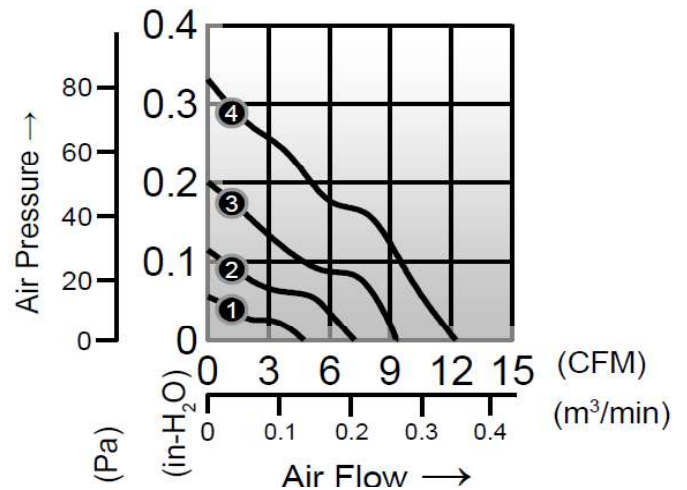
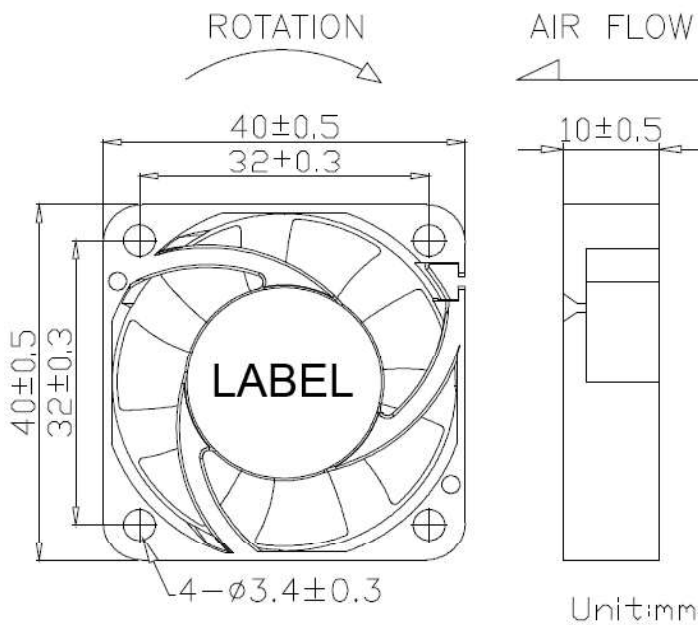


Model Number	Voltage	Current	Power	Speed	Air Flow	Pressure	Noise
	(V)	(A)	(W)	(RPM)	(CFM)	(inH2O)	dB(A)
① AD3828V12BLWGB	12	0.11	1.32	8000	9.4	0.39	38
② AD3828V12BMWGB	12	0.15	1.80	10000	12.5	0.63	44
③ AD3828V12BHWGB	12	0.29	3.48	13000	16.3	1.02	51
④ AD3828V12BUWGB	12	0.48	5.76	15000	19.2	1.37	55
⑤ AD3828V12BVWGB	12	0.85	10.20	17000	20.8	1.67	59

B = Ball Bearing

AD4010GE SERIES

- Size: 40 x 40 x 10mm
- Housing: Plastic (UL 94V-0)
- Impeller: Plastic (UL 94V-0)
- Motor: 4 Pole Brushless DC Motor
- Operating Temperature: -10°C ~ +70°C
- Insulation: Class A
- Weight: 20.0g

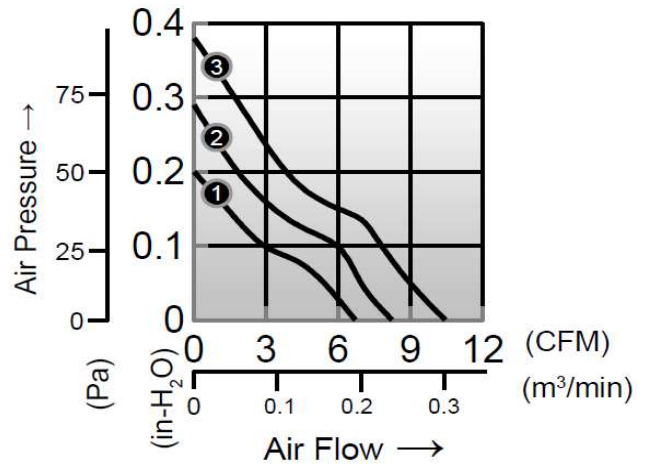
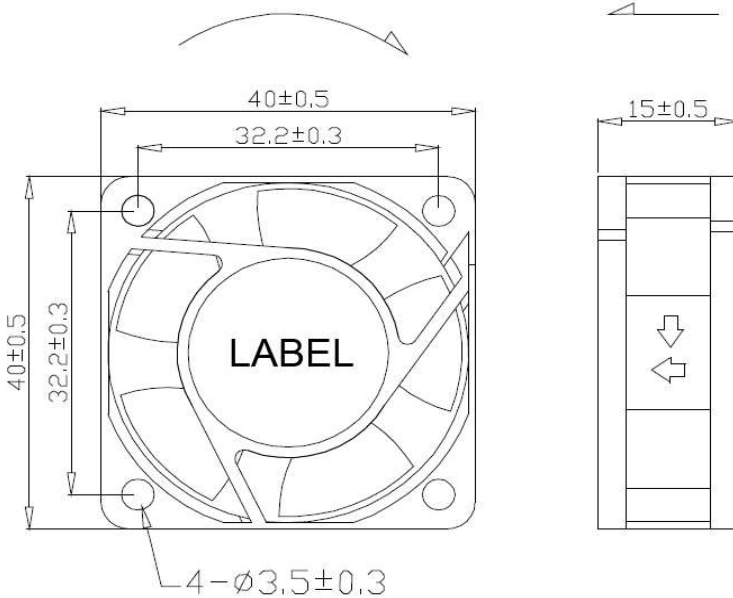


Model Number	Voltage	Current	Power	Speed	Air Flow	Pressure	Noise
	(V)	(A)	(W)	(RPM)	(CFM)	(inH ₂ O)	dB(A)
① AD4010V05_LWGE	5	0.14	0.70	4000	4.8	0.06	21
① AD4010V12_MWGE	12	0.10	1.20	4000	4.8	0.06	21
① AD4010V24_LWGE	24	0.06	1.44	4000	4.8	0.06	21
② AD4010V05_MWGE	5	0.18	0.90	6000	7.2	0.11	26
② AD4010V12_HWGE	12	0.11	1.32	6000	7.2	0.11	26
③ AD4010V05_HWGE	5	0.29	1.45	8000	9.3	0.20	35
③ AD4010V12_UWGE	12	0.14	1.68	8000	9.3	0.20	33
③ AD4010V24_MWGE	24	0.09	2.16	8000	9.3	0.20	33
④ AD4010V12_VWGE	12	0.18	2.16	10000	12.2	0.33	39
④ AD4010V24_HWGE	24	0.09	2.16	10000	12.2	0.33	39

_ for B / F / S = Ball Bearing / Fluid Bearing / Sleeve Bearing

AD4015GE SERIES

- Size: 40 x 40 x 15mm
- Housing: Plastic (UL 94V-0)
- Impeller: Plastic (UL 94V-0)
- Motor: 4 Pole Brushless DC Motor
- Operating Temperature: -10°C ~ +70°C
- Insulation: Class A
- Weight: 20.0g

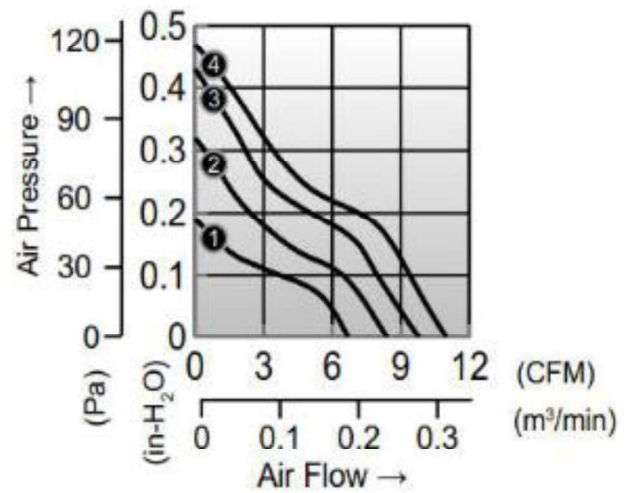
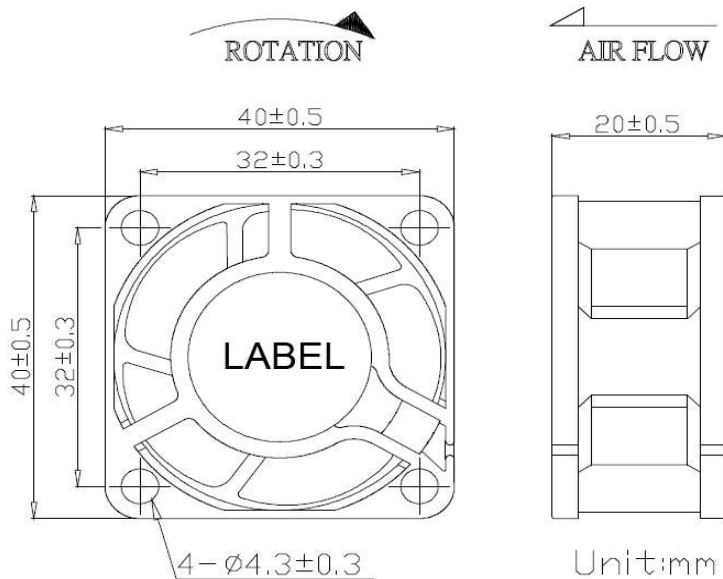


Model Number	Voltage	Current	Power	Speed	Air Flow	Pressure	Noise
	(V)	(A)	(W)	(RPM)	(CFM)	(inH ₂ O)	dB(A)
① AD4015V12BLWGE	12	0.08	0.96	6000	6.71	0.20	28
② AD4015V12BMWGE	12	0.12	1.44	7300	8.25	0.29	32
③ AD4015V12BHWGE	12	0.16	1.92	8600	10.45	0.38	36

B = Ball Bearing

AD4020GE SERIES

- Size: 40 x 40 x 20mm
- Housing: Plastic (UL 94V-0)
- Impeller: Plastic (UL 94V-0)
- Motor: 4 Pole Brushless DC Motor
- Operating Temperature: -10°C ~ +70°C
- Insulation: Class A
- Weight: 27.0g

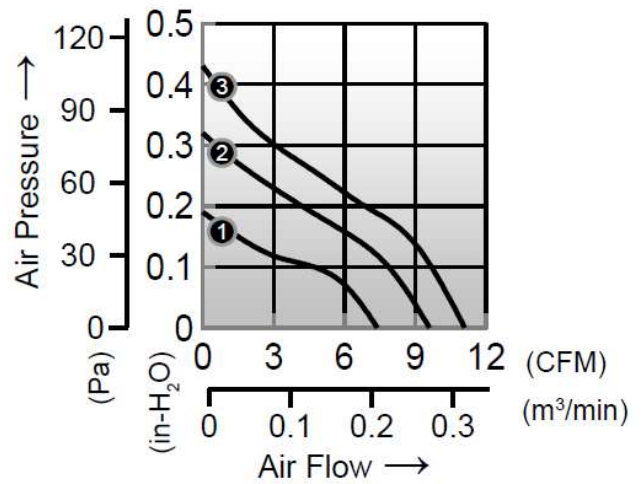
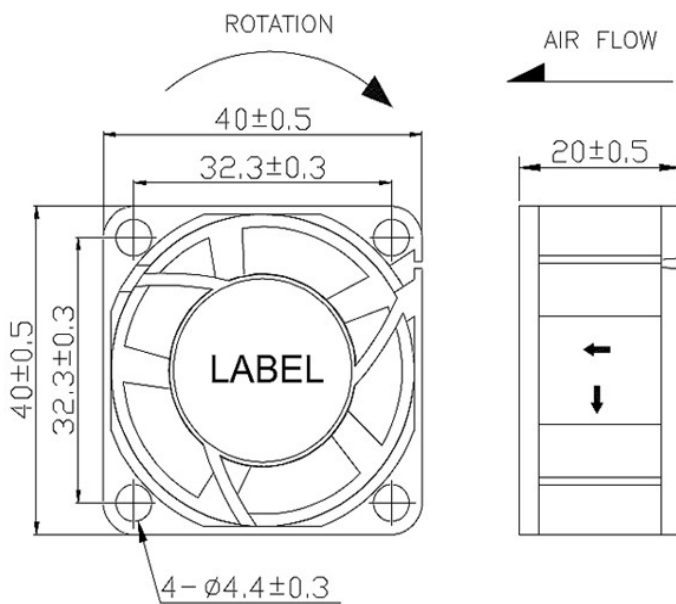


Model Number	Voltage	Current	Power	Speed	Air Flow	Pressure	Noise
	(V)	(A)	(W)	(RPM)	(CFM)	(inH ₂ O)	dB(A)
① AD4020V12_LWGE	12	0.10	1.20	5000	6.7	0.19	23
① AD4020V24_LWGE	24	0.07	1.68	5000	6.7	0.32	23
② AD4020V12_MWGE	12	0.12	1.44	6500	8.4	0.43	27
② AD4020V24_MWGE	24	0.09	2.16	6500	8.4	0.47	27
③ AD4020V12_HWGE	12	0.16	1.92	8600	9.8	0.19	36
③ AD4020V24_HWGE	24	0.13	3.12	8600	9.8	0.32	36
④ AD4020V12_UWGE	12	0.22	2.64	9500	11.0	0.43	37

_ for B / S = Ball Bearing / Sleeve Bearing

AD4020GS SERIES

- Size: 40 x 40 x 20mm
- Housing: Plastic (UL 94V-0)
- Impeller: Plastic (UL 94V-0)
- Motor: 4 Pole Brushless DC Motor
- Operating Temperature: -10°C ~ +70°C
- Insulation: Class A
- Weight: 27.0g

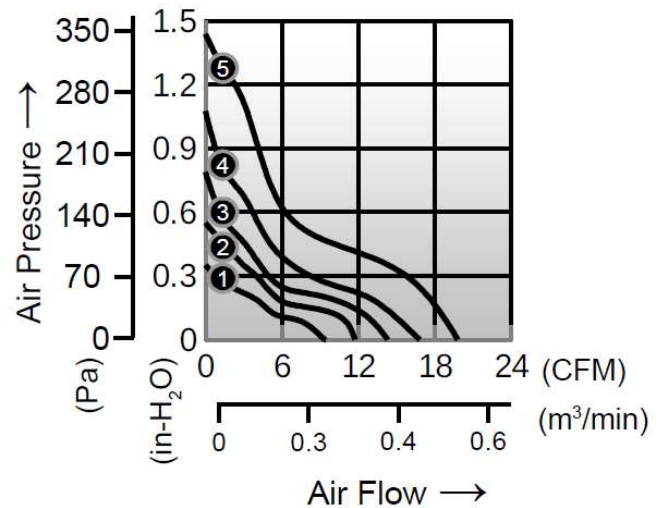
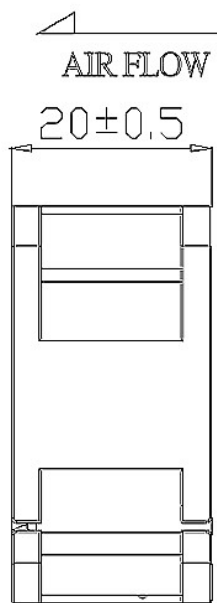
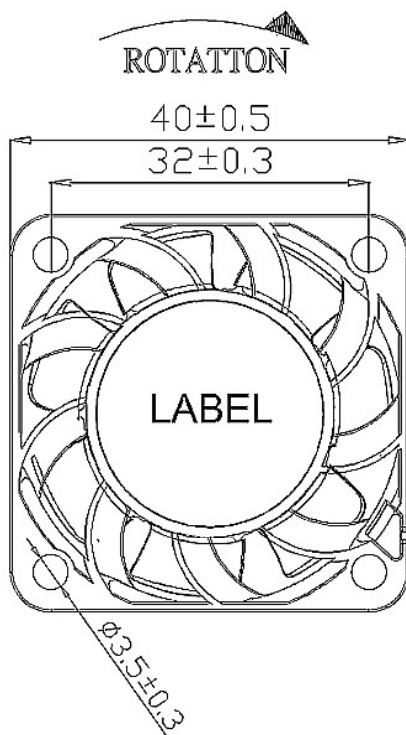


Model Number	Voltage	Current	Power	Speed	Air Flow	Pressure	Noise
	(V)	(A)	(W)	(RPM)	(CFM)	(inH2O)	dB(A)
① AD4020V12FLWGS	12	0.10	1.20	5000	7.4	0.19	21
① AD4020V24FLWGS	24	0.07	1.68	5000	7.4	0.19	21
② AD4020V12FMWGS	12	0.12	1.44	6500	9.6	0.32	25
② AD4020V24FMWGS	24	0.09	2.16	6500	9.6	0.32	25
③ AD4020V12FHWGS	12	0.16	1.92	8600	11.1	0.43	33
③ AD4020V24FHWGS	24	0.13	3.12	8600	11.1	0.43	33

F = Fluid Bearing

AD4020GB SERIES

- Size: 40 x 40 x 20mm
- Housing: Plastic (UL 94V-0)
- Impeller: Plastic (UL 94V-0)
- Motor: 4 Pole Brushless DC Motor
- Operating Temperature: -10°C ~ +70°C
- Insulation: Class A
- Weight: 45.0g



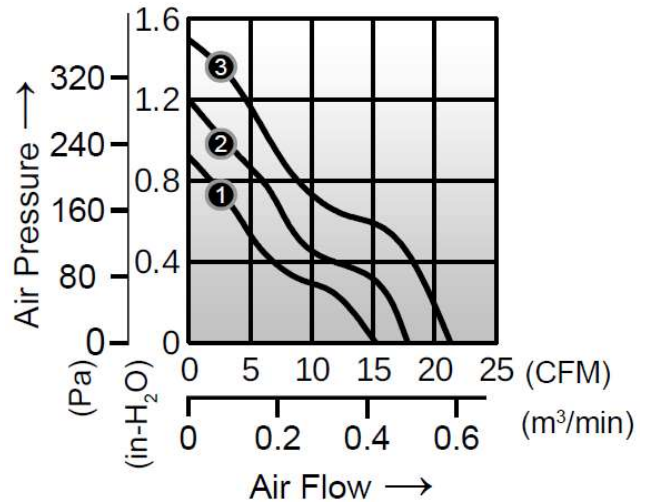
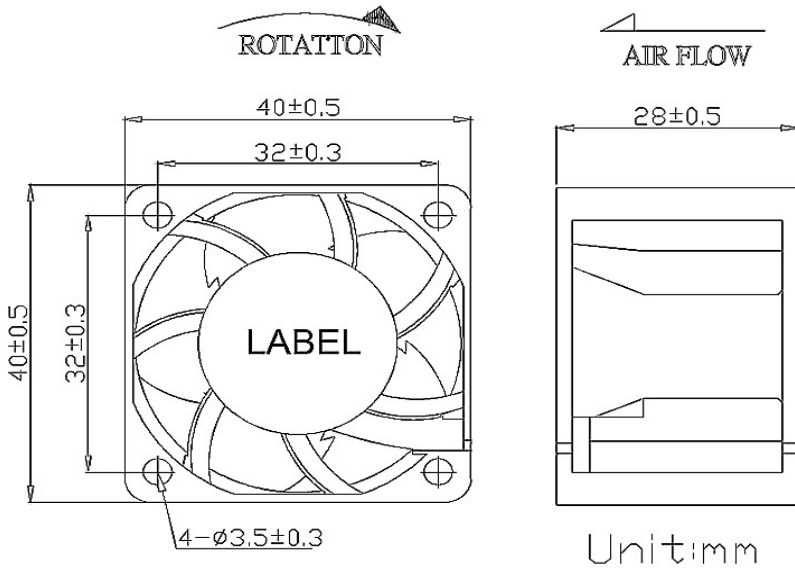
Unit:mm

Model Number	Voltage	Current	Power	Speed	Air Flow	Pressure	Noise
	(V)	(A)	(W)	(RPM)	(CFM)	(inH2O)	dB(A)
① AD4020V12BLWGB	12	0.08	0.96	8000	9.4	0.35	33
② AD4020V12BMWGB	12	0.11	1.32	10000	11.7	0.55	40
③ AD4020V12BHWGB	12	0.17	2.04	12000	14.3	0.79	44
③ AD4020V24BHWGB	24	0.13	3.12	12000	14.3	0.79	44
④ AD4020V12BUWGB	12	0.25	3.00	14000	16.8	1.08	49
④ AD4020V24BUWGB	24	0.15	3.60	14000	16.8	1.08	49
⑤ AD4020V12BVWGB	12	0.41	4.92	16000	19.8	1.44	53
⑤ AD4020V24BVWGB	24	0.18	4.32	16000	19.8	1.44	53

B = Ball Bearing

AD4028GV SERIES

- Size: 40 x 40 x 28mm
- Housing: Plastic (UL 94V-0)
- Impeller: Plastic (UL 94V-0)
- Motor: 4 Pole Brushless DC Motor
- Operating Temperature: -10°C ~ +70°C
- Insulation: Class A
- Weight: 49.0g

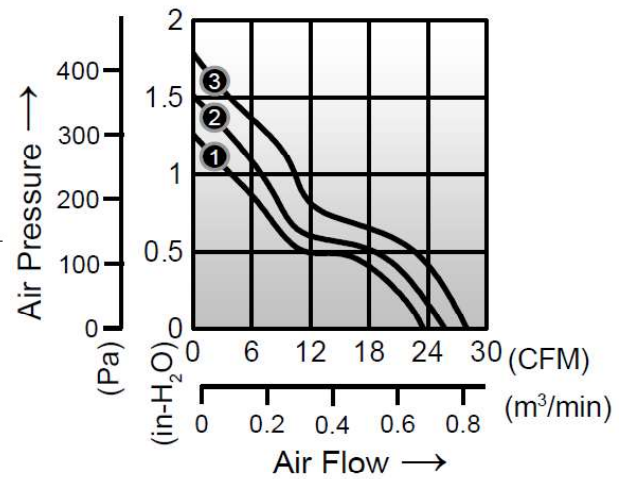
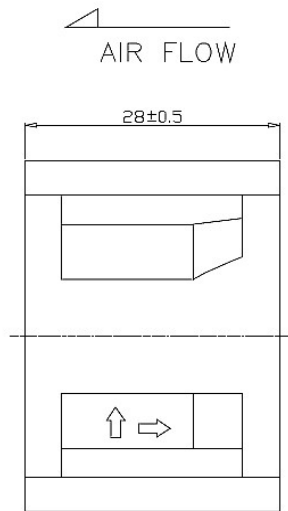
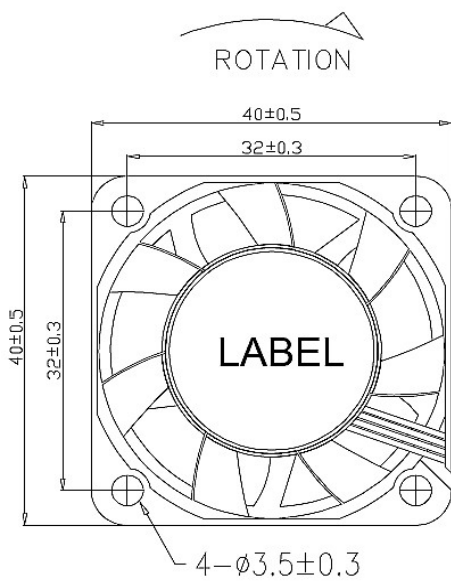


Model Number	Voltage	Current	Power	Speed	Air Flow	Pressure	Noise
	(V)	(A)	(W)	(RPM)	(CFM)	(inH ₂ O)	dB(A)
① AD4028V12BHWGV	12	0.30	3.6	13000	15.2	0.92	43
② AD4028V12BUWGV	12	0.40	4.8	15000	17.8	1.20	46
③ AD4028V12BVWGV	12	0.60	7.2	17000	21.3	1.53	50

B = Ball Bearing

AD4028GK SERIES

- Size: 40 x 40 x 28mm
- Housing: Plastic (UL 94V-0)
- Impeller: Plastic (UL 94V-0)
- Motor: 4 Pole Brushless DC Motor
- Operating Temperature: -10°C ~ +70°C
- Insulation: Class A
- Weight: 50.0g

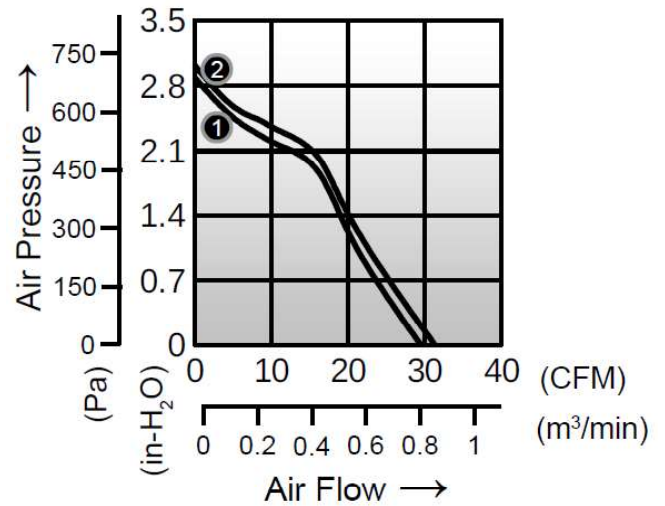
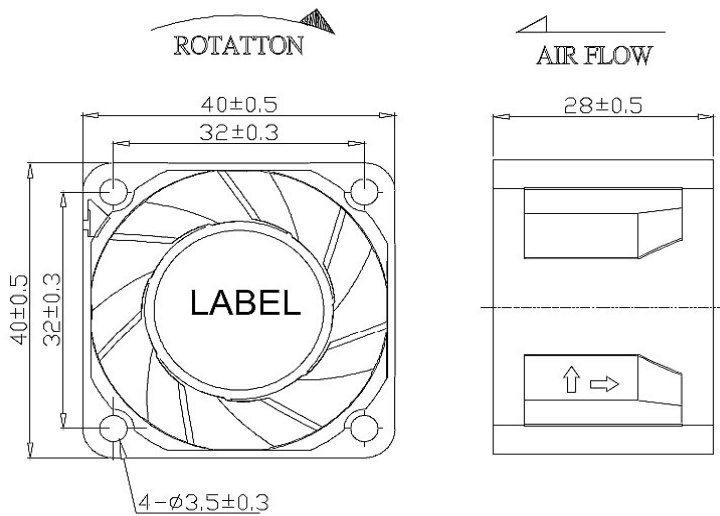


Model Number	Voltage	Current	Power	Speed	Air Flow	Pressure	Noise
	(V)	(A)	(W)	(RPM)	(CFM)	(inH2O)	dB(A)
① AD4028V12BUWGK	12	0.75	9.0	21000	23.52	1.26	60
② AD4028V12BVWGK	12	0.90	10.8	23000	25.76	1.51	62
③ AD4028V12BWWGK	12	1.00	12.0	25000	28.00	1.79	65

B = Ball Bearing

AD4028GD SERIES

- Size: 40 x 40 x 28mm
- Housing: Plastic (UL 94V-0)
- Impeller: Plastic (UL 94V-0)
- Motor: 4 Pole Brushless DC Motor
- Operating Temperature: -10°C ~ +70°C
- Insulation: Class A
- Weight: 50.0g

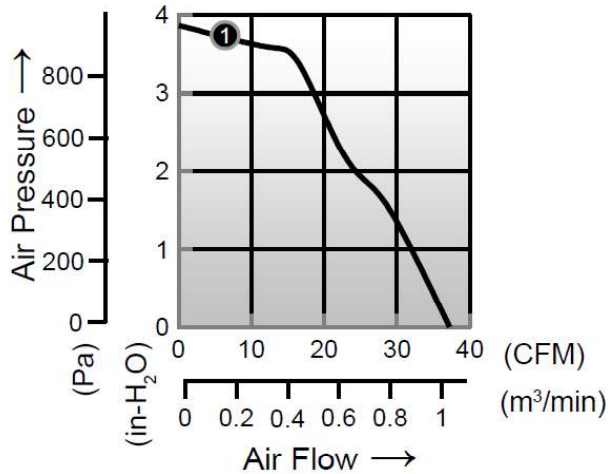
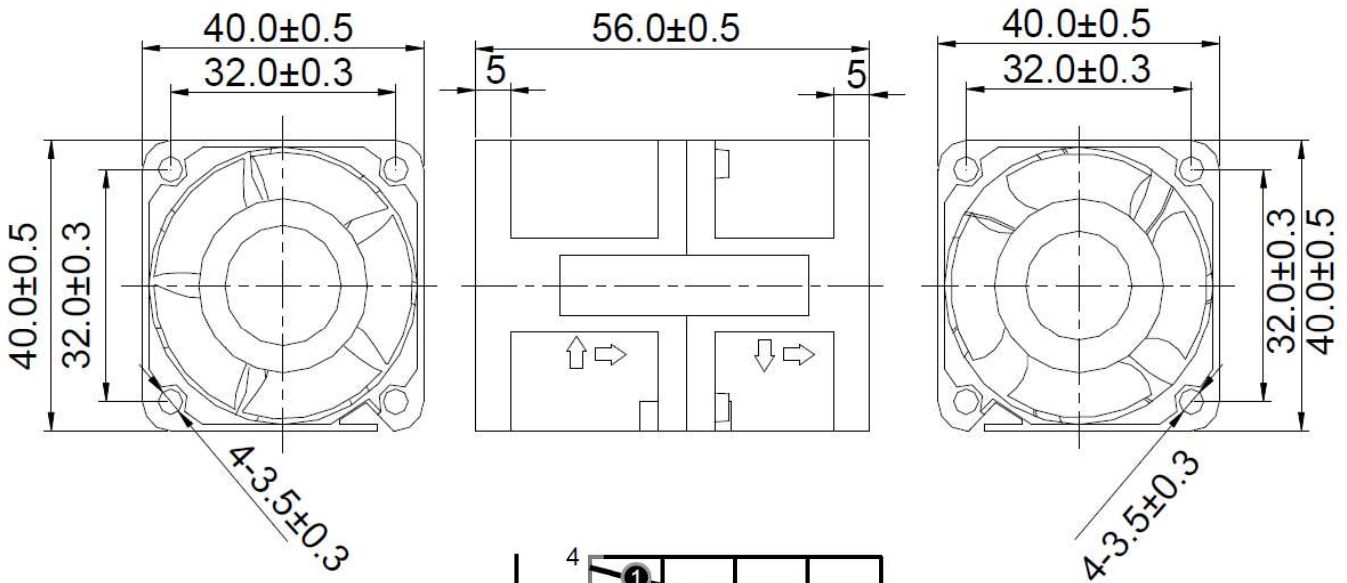


Model Number	Voltage	Current	Power	Speed	Air Flow	Pressure	Noise
	(V)	(A)	(W)	(RPM)	(CFM)	(inH2O)	dB(A)
① AD4028V12BVWGD	12	1.10	13.2	21000	29.5	2.89	62
② AD4028V12BWWGD	12	1.40	16.8	23000	31.3	3.02	64

B = Ball Bearing

AD4056GD SERIES

- Size: 40 x 40 x 56mm
- Housing: Plastic (UL 94V-0)
- Impeller: Plastic (UL 94V-0)
- Motor: 4 Pole Brushless DC Motor
- Operating Temperature: -10°C ~ +70°C
- Insulation: Class A
- Weight: 50.0g

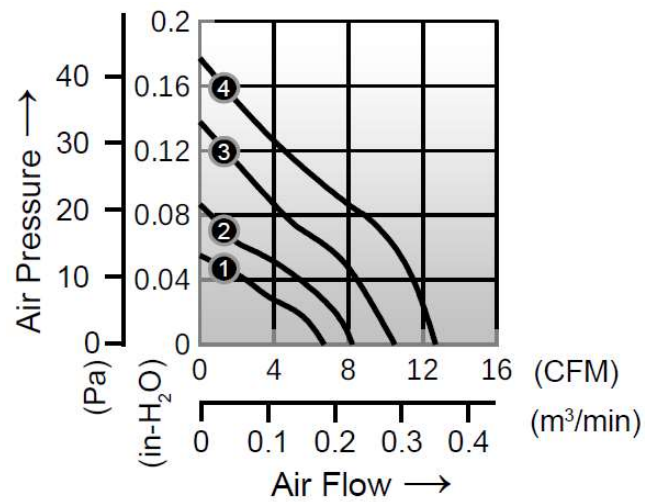
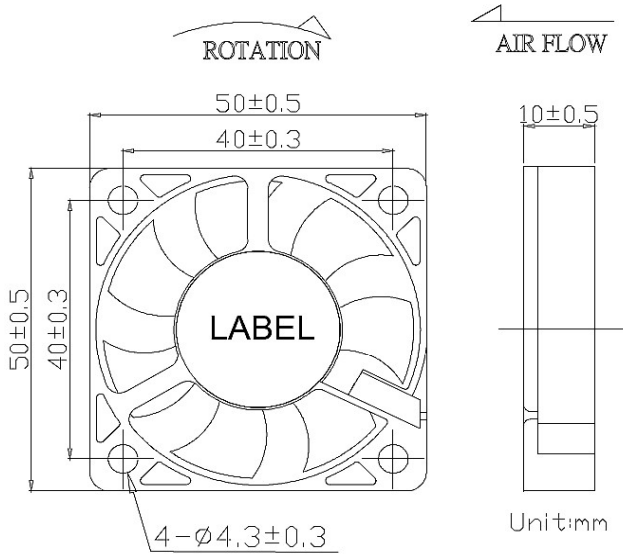


Model Number	Voltage	Current	Power	Speed	Air Flow	Pressure	Noise
	(V)	(A)	(W)	(RPM)	(CFM)	(inH2O)	dB(A)
① AD4056V12BUWGD	12	1.72	20.64	21000	37.21	3.87	69

B = Ball Bearing

AD5010GE SERIES

- Size: 50 x 50 x 10mm
- Housing: Plastic (UL 94V-0)
- Impeller: Plastic (UL 94V-0)
- Motor: 4 Pole Brushless DC Motor
- Operating Temperature: -10°C ~ +70°C
- Insulation: Class A
- Weight: 32.0g

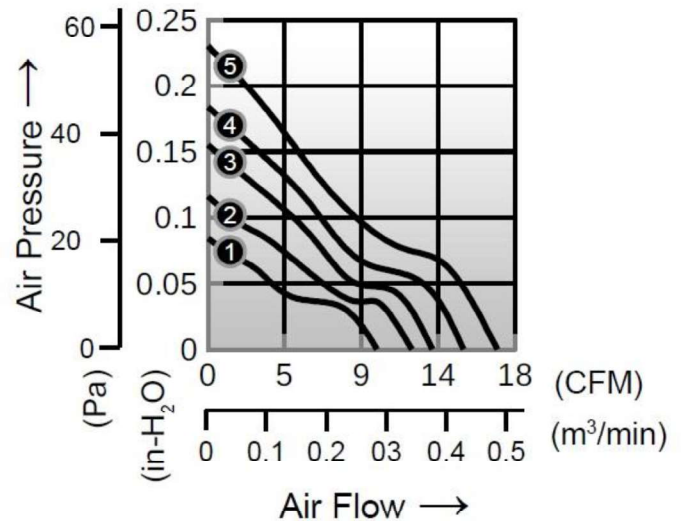
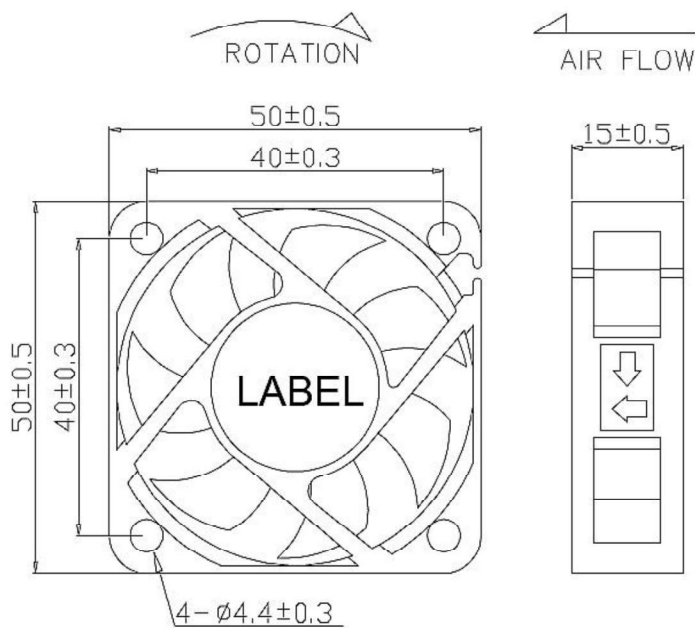


Model Number	Voltage	Current	Power	Speed	Air Flow	Pressure	Noise
	(V)	(A)	(W)	(RPM)	(CFM)	(inH2O)	dB(A)
① AD5010V05_JWGE	12	0.08	0.96	3500	6.7	0.05	18
① AD5010V12_JWGE	12	0.05	0.60	3500	6.7	0.05	18
① AD5010V24_JWGE	12	0.06	0.72	3500	6.7	0.05	18
② AD5010V05_LWGE	12	0.12	1.44	4500	8.2	0.09	25
② AD5010V12_LWGE	24	0.07	1.68	4500	8.2	0.09	25
② AD5010V24_LWGE	24	0.07	1.68	4500	8.2	0.09	25
③ AD5010V05_MWGE	12	0.16	1.92	5500	10.5	0.14	30
③ AD5010V12_MWGE	12	0.08	0.96	5500	10.5	0.14	30
③ AD5010V24_MWGE	12	0.08	0.96	5500	10.5	0.14	30
④ AD5010V05_HWGE	24	0.20	4.80	6500	12.7	0.18	35
④ AD5010V12_HWGE	24	0.10	2.40	6500	12.7	0.18	35
④ AD5010V24_HWGE	24	0.09	2.16	6500	12.7	0.18	35

_ for B / F = Ball Bearing / Fluid Bearing

AD5015GC SERIES

- Size: 50 x 50 x 15mm
- Housing: Plastic (UL 94V-0)
- Impeller: Plastic (UL 94V-0)
- Motor: 4 Pole Brushless DC Motor
- Operating Temperature: -10°C ~ +70°C
- Insulation: Class A
- Weight: 38.0g

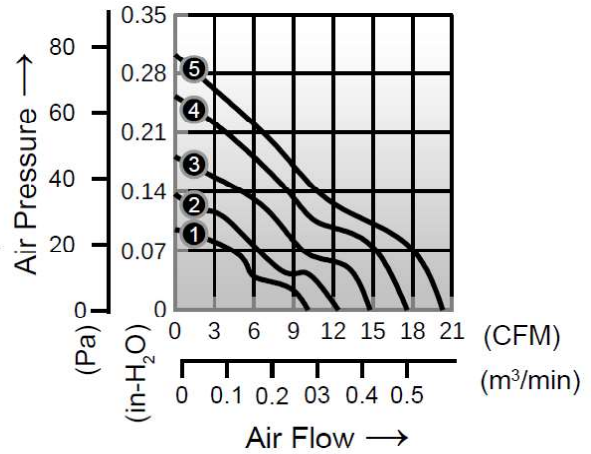
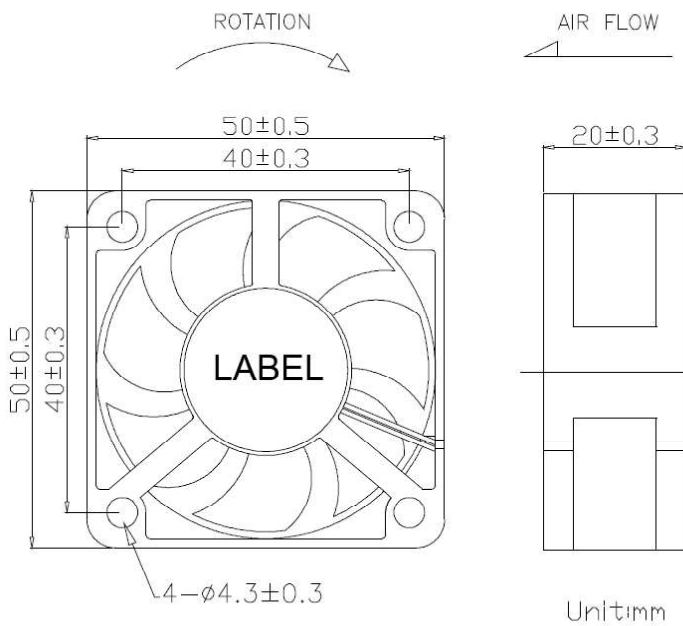


Model Number	Voltage	Current	Power	Speed	Air Flow	Pressure	Noise
	(V)	(A)	(W)	(RPM)	(CFM)	(inH ₂ O)	dB(A)
① AD5015V12_JWGC	12	0.06	0.72	3600	9.9	0.08	24
① AD5015V24_JWGC	24	0.04	0.96	3600	9.9	0.08	24
② AD5015V12_LWGC	12	0.07	0.84	4200	12.2	0.12	27
② AD5015V24_LWGC	24	0.05	1.20	4200	12.2	0.12	27
③ AD5015V12_MWGC	12	0.09	1.08	4800	13.2	0.16	30
③ AD5015V24_MWGC	24	0.06	1.44	4800	13.2	0.16	30
④ AD5015V12_HWGC	12	0.11	1.32	5400	15.0	0.18	32
④ AD5015V24_HWGC	24	0.07	1.68	5400	15.0	0.18	32
⑤ AD5015V12_UWGC	12	0.13	1.56	6000	17.0	0.23	36
⑤ AD5015V24_UWGC	24	0.08	1.92	6000	17.0	0.23	35

_ for B / F = Ball Bearing / Fluid Bearing

AD5020GE SERIES

- Size: 50 x 50 x 20mm
- Housing: Plastic (UL 94V-0)
- Impeller: Plastic (UL 94V-0)
- Motor: 4 Pole Brushless DC Motor
- Operating Temperature: -10°C ~ +70°C
- Insulation: Class A
- Weight: 40.0g

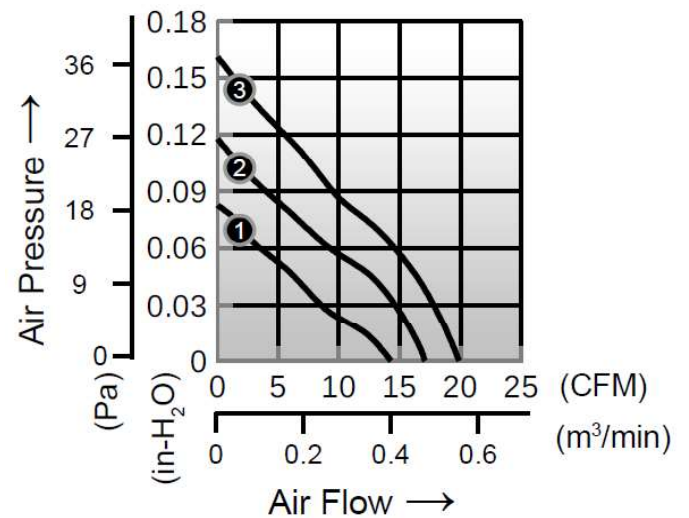
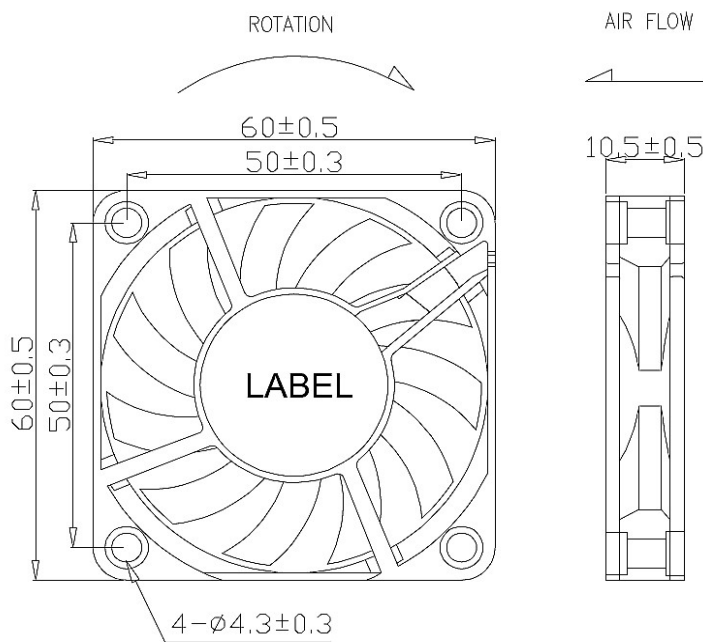


Model Number	Voltage	Current	Power	Speed	Air Flow	Pressure	Noise
	(V)	(A)	(W)	(RPM)	(CFM)	(inH ₂ O)	dB(A)
① AD5020V12_IWGE	12	0.10	1.20	4000	10.1	0.10	24
① AD5020V24_IWGE	24	0.07	1.68	4000	10.1	0.10	24
② AD5020V12_JWGE	12	0.13	1.56	4800	12.7	0.14	28
② AD5020V24_JWGE	24	0.08	1.92	4800	12.7	0.14	28
③ AD5020V12_LWGE	12	0.15	1.80	5600	14.8	0.18	32
③ AD5020V24_LWGE	24	0.10	2.4	5600	14.8	0.18	32
④ AD5020V12_MWGE	12	0.21	2.52	6400	17.6	0.25	36
④ AD5020V24_MWGE	24	0.12	2.88	6400	17.6	0.25	36
⑤ AD5020V12_HWGE	12	0.21	2.52	7000	20.3	0.30	38
⑤ AD5020V24_HWGE	24	0.12	2.88	7000	20.3	0.30	38

_ for B / S = Ball Bearing / Sleeve Bearing

AD6010GE SERIES

- Size: 60 x 60 x 10mm
- Housing: Plastic (UL 94V-0)
- Impeller: Plastic (UL 94V-0)
- Motor: 4 Pole Brushless DC Motor
- Operating Temperature: -10°C ~ +70°C
- Insulation: Class A
- Weight: 37.0g

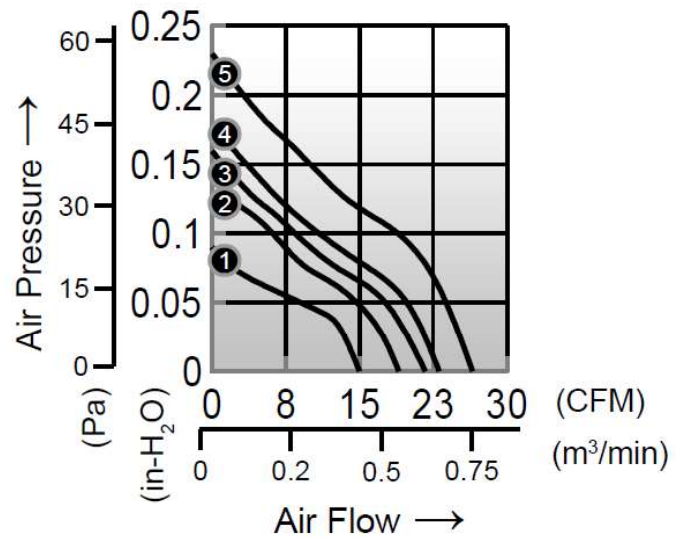
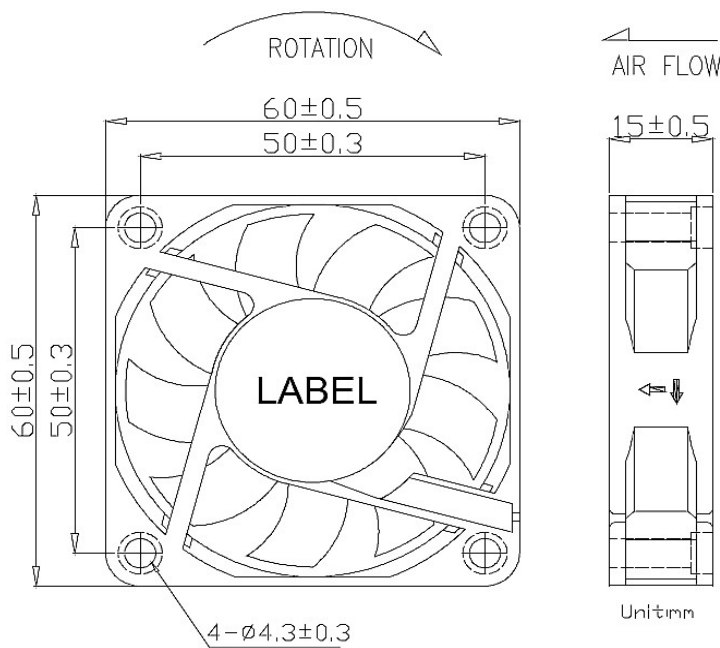


Model Number	Voltage	Current	Power	Speed	Air Flow	Pressure	Noise
	(V)	(A)	(W)	(RPM)	(CFM)	(inH ₂ O)	dB(A)
① AD6010V05_LWGE	5	0.30	1.50	3500	14.3	0.08	28
① AD6010V12_LWGE	12	0.14	1.68	3500	14.3	0.08	28
① AD6010V24_LWGE	24	0.05	1.20	3500	14.3	0.08	28
② AD6010V05_MWGE	5	0.38	1.90	4200	17.1	0.12	33
② AD6010V12_MWGE	12	0.17	2.04	4200	17.1	0.12	33
② AD6010V24_MWGE	24	0.08	1.92	4200	17.1	0.12	33
③ AD6010V05_HWGE	5	0.42	2.10	4900	19.9	0.16	37
③ AD6010V12_HWGE	12	0.20	2.40	4900	19.9	0.16	37
③ AD6010V24_HWGE	24	0.10	2.40	4900	19.9	0.16	37

_ for B / F = Ball Bearing / Fluid Bearing

AD6015GE SERIES

- Size: 60 x 60 x 15mm
- Housing: Plastic (UL 94V-0)
- Impeller: Plastic (UL 94V-0)
- Motor: 4 Pole Brushless DC Motor
- Operating Temperature: -10°C ~ +70°C
- Insulation: Class A
- Weight: 44.0g

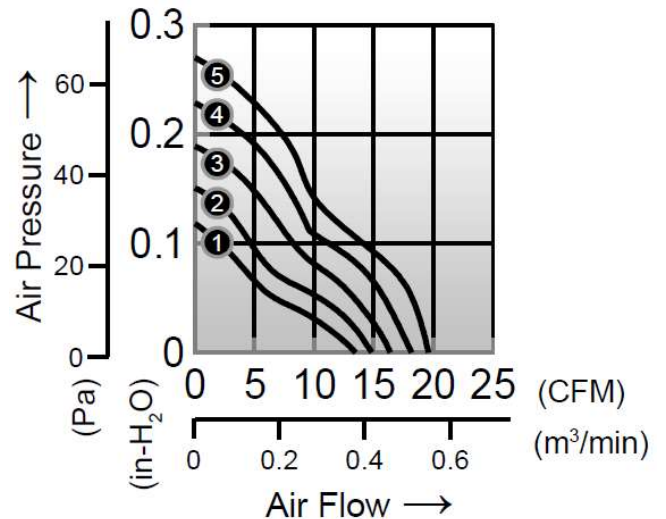
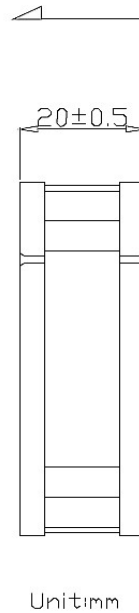
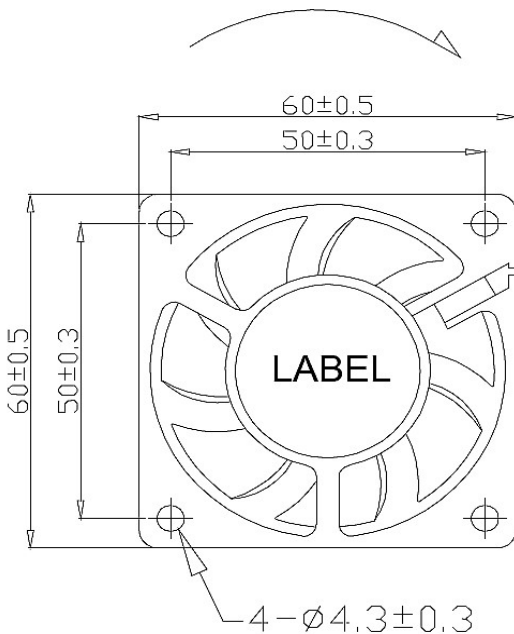
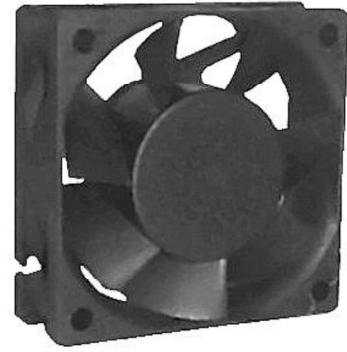


Model Number	Voltage	Current	Power	Speed	Air Flow	Pressure	Noise
	(V)	(A)	(W)	(RPM)	(CFM)	(inH2O)	dB(A)
① AD6015V12_JWGE	12	0.06	0.72	3000	15.0	0.09	24
② AD6015V12_LWGE	12	0.08	0.96	3500	19.0	0.14	29
② AD6015V24_LWGE	24	0.08	1.92	3500	19.0	0.14	29
③ AD6015V12_MWGE	12	0.10	1.20	4000	21.7	0.16	32
③ AD6015V24_MWGE	24	0.07	1.68	4000	21.7	0.16	32
④ AD6015V12_HWGE	12	0.12	1.44	4500	23.1	0.18	35
④ AD6015V24_HWGE	24	0.08	1.92	4500	23.1	0.18	35
⑤ AD6015V12_UWGE	12	0.17	2.04	5000	26.5	0.23	37
⑤ AD6015V24_UWGE	24	0.11	2.64	5000	26.5	0.23	37

_ for B / F = Ball Bearing / Fluid Bearing

AD6020GE SERIES

- Size: 60 x 60 x 20mm
- Housing: Plastic (UL 94V-0)
- Impeller: Plastic (UL 94V-0)
- Motor: 4 Pole Brushless DC Motor
- Operating Temperature: -10°C ~ +70°C
- Insulation: Class A
- Weight: 50.0g

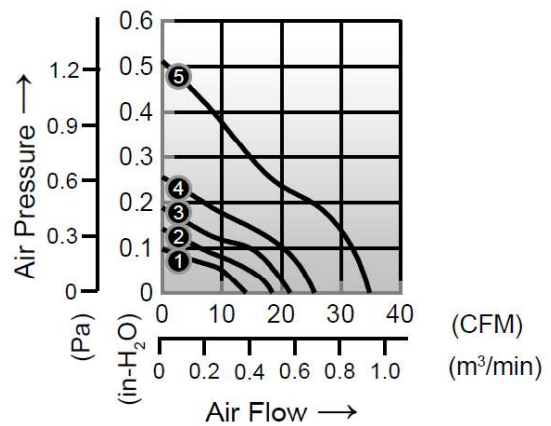
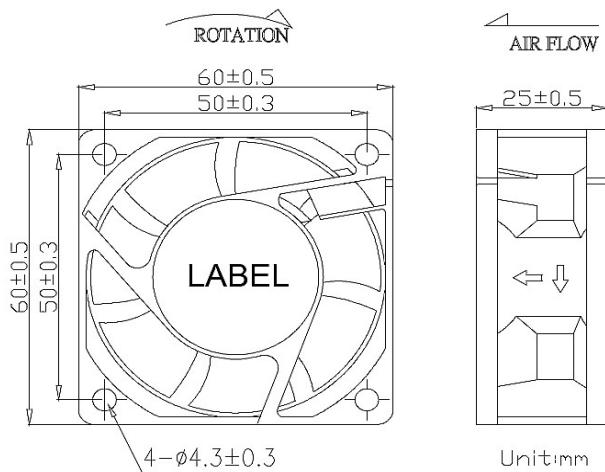


Model Number	Voltage	Current	Power	Speed	Air Flow	Pressure	Noise
	(V)	(A)	(W)	(RPM)	(CFM)	(inH2O)	dB(A)
① AD6020V12_JWGE	12	0.07	0.84	3200	13.5	0.12	24
② AD6020V12_LWGE	12	0.09	1.08	3600	14.8	0.15	26
③ AD6020V12_MWGE	12	0.11	1.32	4000	16.4	0.19	29
④ AD6020V12_HWGE	12	0.13	1.56	4400	18.1	0.23	31
⑤ AD6020V12_UWGE	12	0.17	2.04	4800	19.6	0.27	33

_ for B / S = Ball Bearing / Sleeve Bearing

AD6025GE SERIES

- Size: 60 x 60 x 25mm
- Housing: Plastic (UL 94V-0)
- Impeller: Plastic (UL 94V-0)
- Motor: 4 Pole Brushless DC Motor
- Operating Temperature: -10°C ~ +70°C
- Insulation: Class A
- Weight: 57.0g

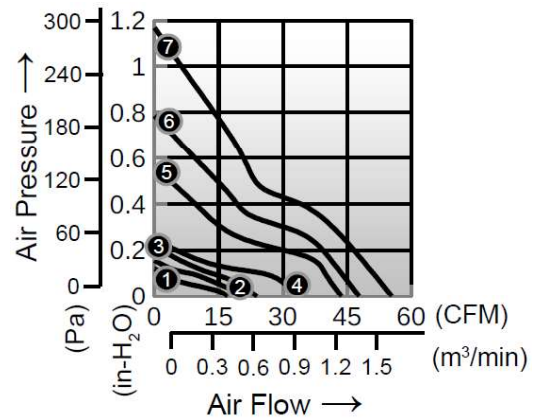
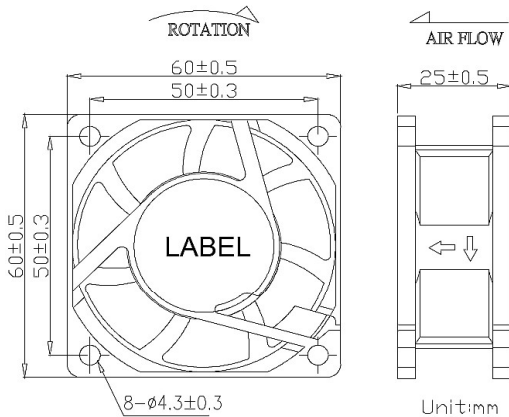


Model Number	Voltage	Current	Power	Speed	Air Flow	Pressure	Noise
	(V)	(A)	(W)	(RPM)	(CFM)	(inH2O)	dB(A)
① AD6025V12_JWGE	12	0.10	1.20	3100	14.1	0.10	26
① AD6025V24_JWGE	24	0.06	1.44	3100	14.1	0.10	26
① AD6025V48_JWGE	48	0.05	2.40	3100	14.1	0.10	26
② AD6025V12_LWGE	12	0.12	1.44	3600	18.5	0.14	31
② AD6025V24_LWGE	24	0.08	1.92	3600	18.5	0.14	31
② AD6025V48_LWGE	48	0.06	2.88	3600	18.5	0.14	31
③ AD6025V12_MWGE	12	0.16	1.92	4250	21.5	0.19	34
③ AD6025V24_MWGE	24	0.11	2.64	4250	21.5	0.19	34
③ AD6025V48_MWGE	48	0.07	3.36	4250	21.5	0.19	34
④ AD6025V12_HWGE	12	0.35	4.20	5000	25.6	0.26	40
④ AD6025V24_HWGE	24	0.20	4.80	5000	25.6	0.26	40
④ AD6025V48_HWGE	48	0.12	5.76	5000	25.6	0.26	40
⑤ AD6025V12BUWGE	12	0.40	4.80	6800	34.8	0.51	47
⑤ AD6025V24BUWGE	24	0.25	6.00	6800	34.8	0.51	47

_ for B / S = Ball Bearing / Sleeve Bearing

AD6025GF SERIES

- Size: 60 x 60 x 25mm
- Housing: Plastic (UL 94V-0)
- Impeller: Plastic (UL 94V-0)
- Motor: 4 Pole Brushless DC Motor
- Operating Temperature: -10°C ~ +70°C
- Insulation: Class A
- Weight: 60.0g

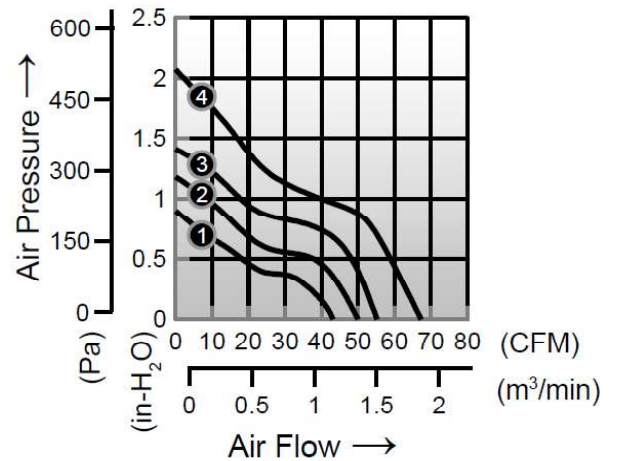
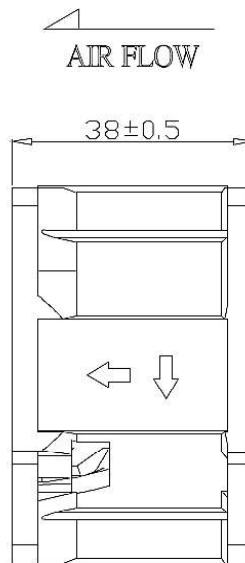
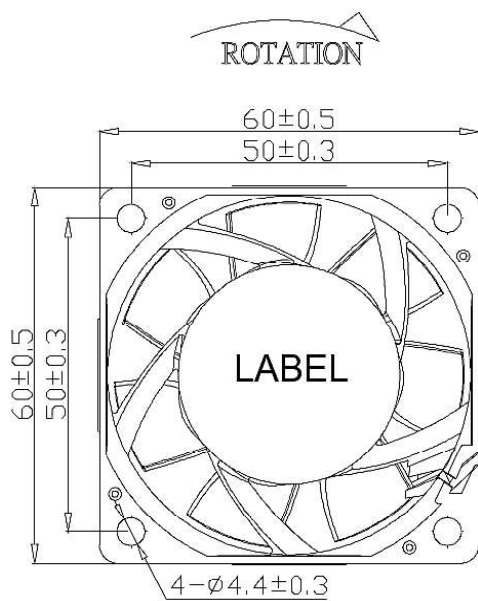


Model Number	Voltage	Current	Power	Speed	Air Flow	Pressure	Noise
	(V)	(A)	(W)	(RPM)	(CFM)	(inH2O)	dB(A)
① AD6025V12_JWGF	12	0.08	0.96	3100	17.1	0.12	26
① AD6025V24_JWGF	24	0.06	1.44	3100	17.1	0.12	26
② AD6025V12_LWGF	12	0.12	1.44	3600	21.5	0.16	31
② AD6025V24_LWGF	24	0.06	1.44	3600	21.5	0.16	31
③ AD6025V12_MWGF	12	0.15	1.80	4250	24.0	0.22	34
③ AD6025V24_MWGF	24	0.08	1.92	4250	24.0	0.22	34
③ AD6025V48_LWGF	48	0.06	2.88	4250	24.0	0.22	34
④ AD6025V12_HWGF	12	0.28	3.36	5000	33.6	0.25	40
④ AD6025V24_HWGF	24	0.16	3.84	5000	33.6	0.25	40
④ AD6025V48_MWGF	48	0.10	4.80	5000	33.6	0.25	40
⑤ AD6025V12BUWGF	12	0.45	5.40	6800	43.8	0.56	56
⑤ AD6025V24BUWGF	24	0.28	6.72	6800	43.8	0.56	56
⑤ AD6025V48BHWGF	48	0.17	8.16	6800	43.8	0.56	56
⑥ AD6025V12BVWGF	12	0.48	5.76	7500	47.9	0.79	63
⑦ AD6025V12BWWGF	12	0.54	6.48	9800	55.5	1.17	66

_ for B / S = Ball Bearing / Sleeve Bearing

AD6038GB SERIES

- Size: 60 x 60 x 38mm
- Housing: Plastic (UL 94V-0)
- Impeller: Plastic (UL 94V-0)
- Motor: 4 Pole Brushless DC Motor
- Operating Temperature: -10°C ~ +70°C
- Insulation: Class A
- Weight: 145.0g

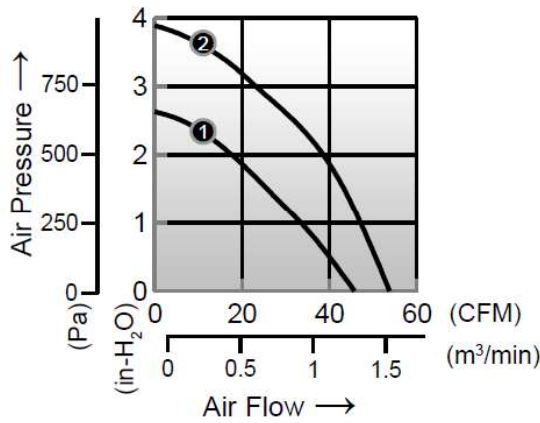
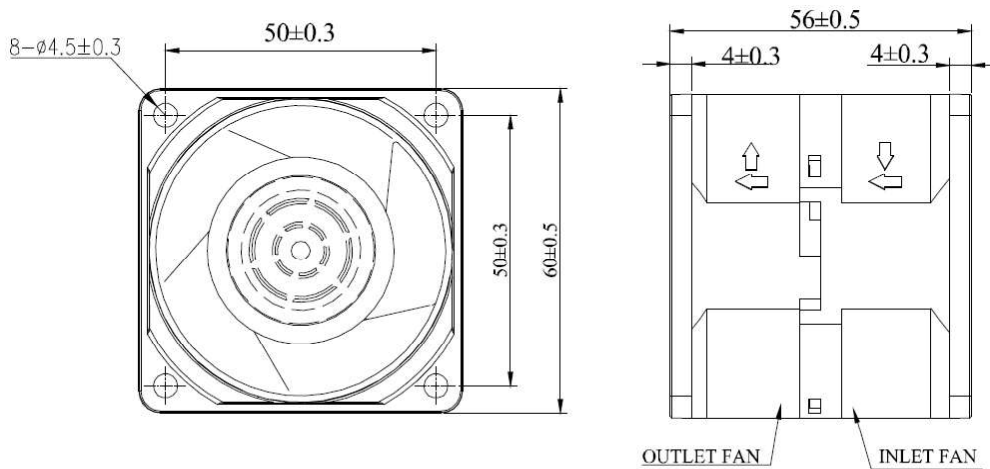


Unit:mm

Model Number	Voltage	Current	Power	Speed	Air Flow	Pressure	Noise
	(V)	(A)	(W)	(RPM)	(CFM)	(inH ₂ O)	dB(A)
① AD6038V12BIWGB	12	0.52	6.24	8000	43.1	0.90	51
① AD6038V24BLWGB	24	0.22	5.28	8000	43.1	0.90	51
② AD6038V12BJWGB	12	0.68	8.16	9000	50.8	1.19	54
② AD6038V24BMWGB	24	0.40	9.60	9000	50.8	1.19	54
③ AD6038V12BLWGB	12	1.00	12.00	10000	55.2	1.41	57
③ AD6038V24BHWGB	24	0.53	12.72	10000	55.2	1.41	57
④ AD6038V12BMWGB	12	1.38	16.56	12000	67.3	2.07	62
④ AD6038V24BUWGB	24	0.75	18.00	12000	67.3	2.07	62

AD6056GB SERIES

- Size: 60 x 60 x 56mm
- Housing: Plastic (UL 94V-0)
- Impeller: Plastic (UL 94V-0)
- Motor: 4 Pole Brushless DC Motor
- Operating Temperature: -10°C ~ +70°C
- Insulation: Class A
- Weight: 180.0g



Model Number	Voltage	Current	Power	Speed	Air Flow	Pressure	Noise
	(V)	(A)	(W)	(RPM)	(CFM)	(inH2O)	dB(A)
① AD6056V12BHWGB	12	1.00	12.0	12500	45.76	2.63	63
				14500			
① AD6056V12BHWGB	12	1.45	17.4	15200	53.82	3.89	63
				17000			