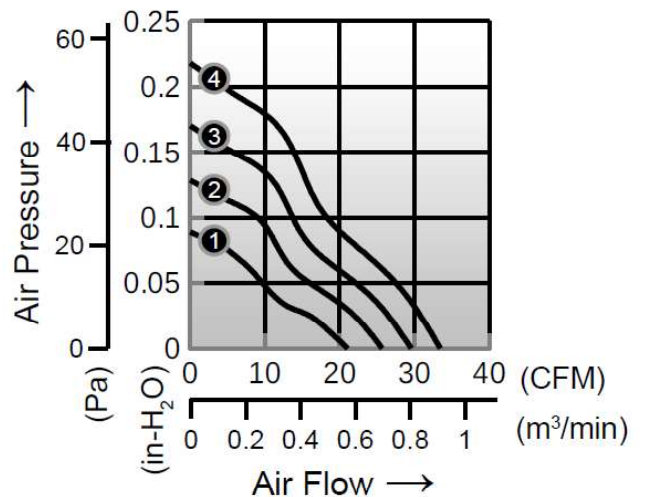
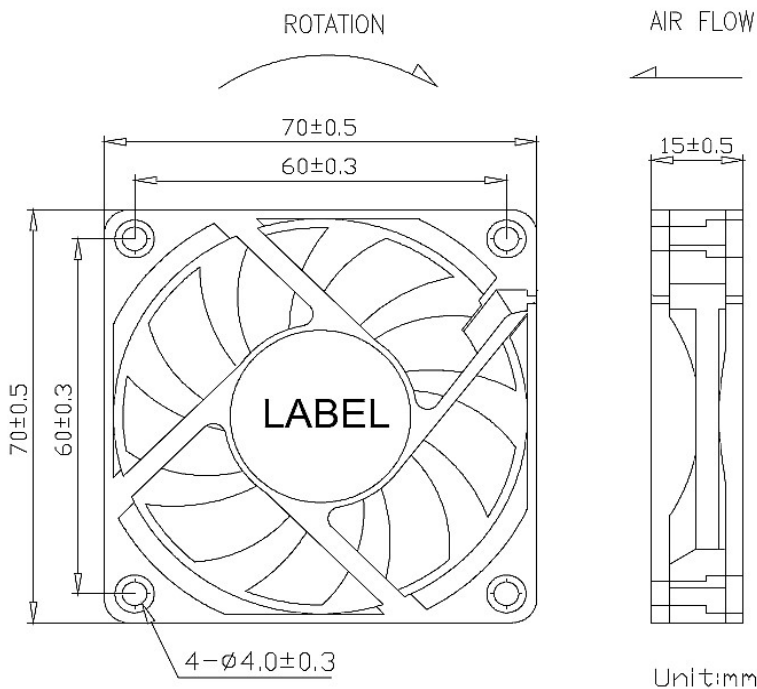


AD7015GE SERIES

- Size: 70 x 70 x 15mm
- Housing: Plastic (UL 94V-0)
- Impeller: Plastic (UL 94V-0)
- Motor: 4 Pole Brushless DC Motor
- Operating Temperature: -10°C ~ +70°C
- Insulation: Class A
- Weight: 50.0g

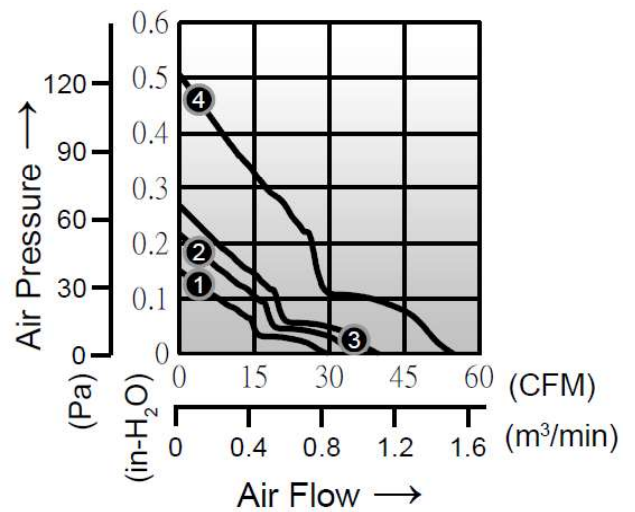
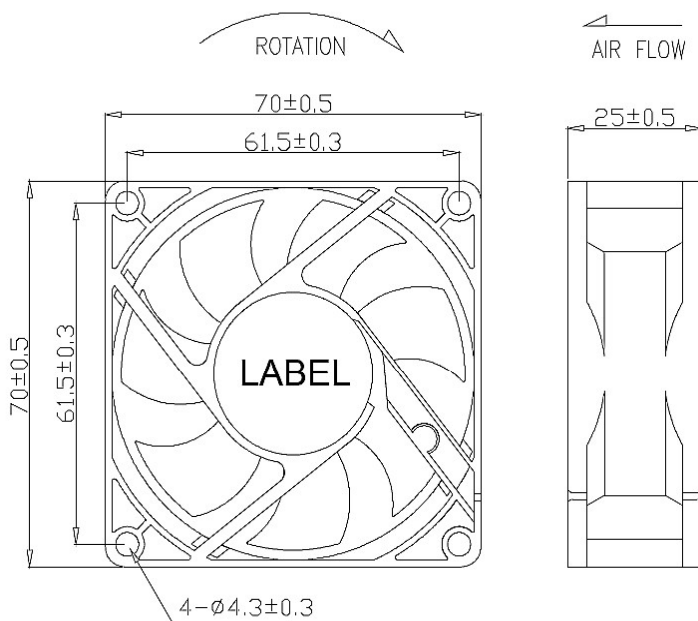


Model Number	Voltage	Current	Power	Speed	Air Flow	Pressure	Noise
	(V)	(A)	(W)	(RPM)	(CFM)	(inH2O)	dB(A)
① AD7015V12_JWGE	12	0.10	1.20	2800	21.1	0.09	27
② AD7015V12_LWGE	12	0.12	1.44	3300	25.7	0.13	31
③ AD7015V12_MWGE	12	0.17	2.04	3800	29.6	0.17	35
③ AD7015V24_MWGE	24	0.10	2.40	3800	29.6	0.17	35
④ AD7015V12_HWGE	12	0.25	3.00	4300	33.5	0.22	39
④ AD7015V24_HWGE	24	0.12	2.88	4300	33.5	0.22	39

_ for B / S = Ball Bearing / Sleeve Bearing

AD7025GE SERIES

- Size: 70 x 70 x 25mm
- Housing: Plastic (UL 94V-0)
- Impeller: Plastic (UL 94V-0)
- Motor: 4 Pole Brushless DC Motor
- Operating Temperature: -10°C ~ +70°C
- Insulation: Class A
- Weight: 74.0g

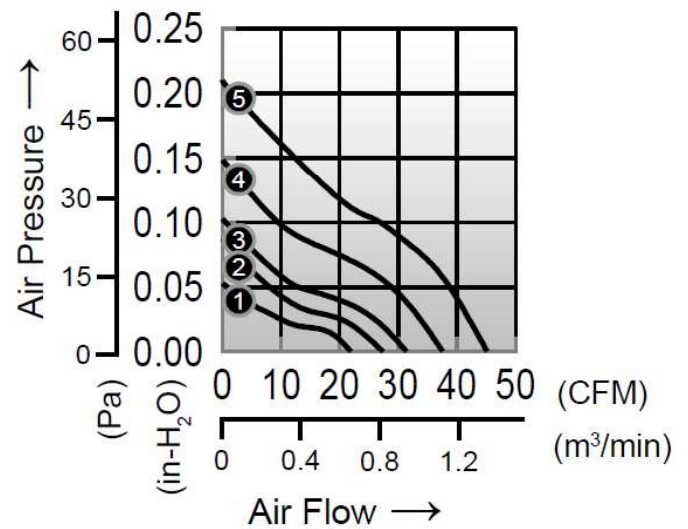
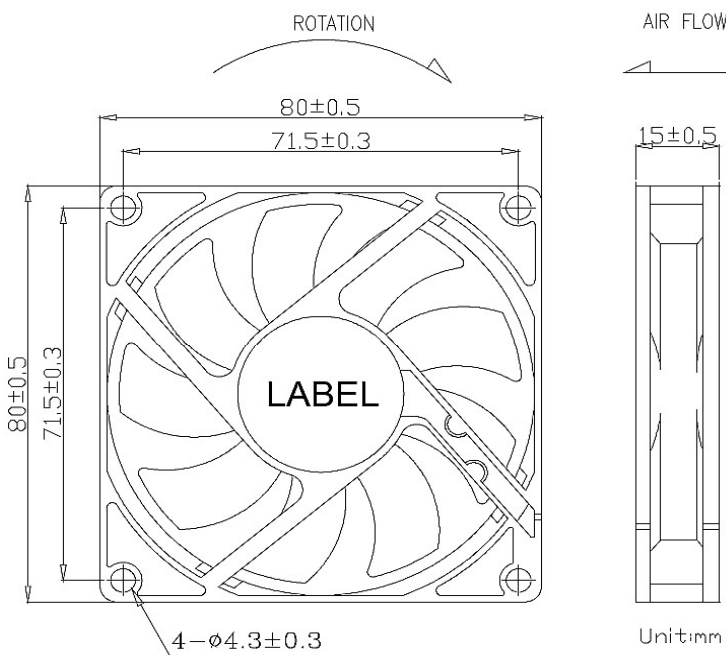


Model Number	Voltage	Current	Power	Speed	Air Flow	Pressure	Noise
	(V)	(A)	(W)	(RPM)	(CFM)	(inH ₂ O)	dB(A)
① AD7025V12_LWGE	12	0.07	0.84	3000	30.0	0.15	27
① AD7025V24_LWGE	24	0.05	1.20	3000	30.0	0.15	27
① AD7025V48_LWGE	48	0.04	1.92	3000	30.0	0.15	27
② AD7025V12_MWGE	12	0.09	1.08	3600	35.6	0.22	32
② AD7025V24_MWGE	24	0.06	1.44	3600	35.6	0.22	32
② AD7025V48_MWGE	48	0.05	2.40	3600	35.6	0.22	32
③ AD7025V12_HWGE	12	0.13	1.56	4000	39.9	0.27	37
③ AD7025V24_HWGE	24	0.08	1.92	4000	39.9	0.27	37
③ AD7025V48_HWGE	48	0.07	3.36	4000	39.9	0.27	37
③ AD7025V12BUWGE	12	0.16	1.92	5500	54.8	0.50	45
③ AD7025V24BUWGE	24	0.35	8.40	5500	54.8	0.50	45

_ for B / S = Ball Bearing / Sleeve Bearing

AD8015GE SERIES

- Size: 80 x 80 x 15mm
- Housing: Plastic (UL 94V-0)
- Impeller: Plastic (UL 94V-0)
- Motor: 4 Pole Brushless DC Motor
- Operating Temperature: -10°C ~ +70°C
- Insulation: Class A
- Weight: 54.0g

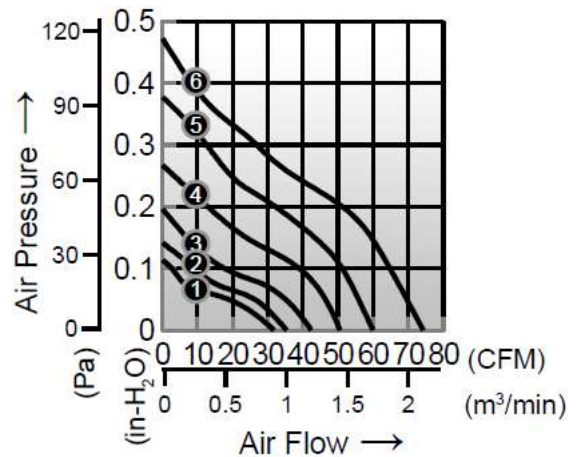
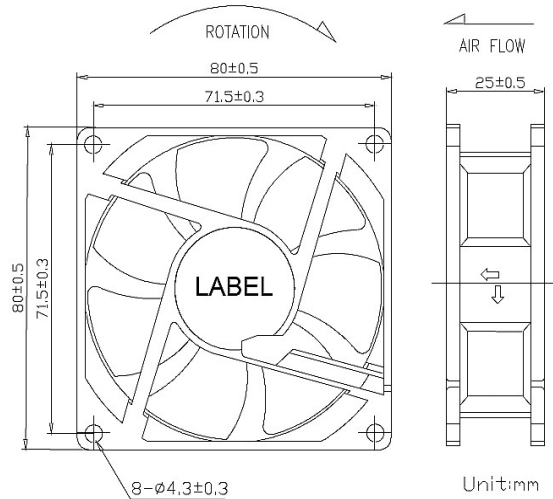


Model Number	Voltage	Current	Power	Speed	Air Flow	Pressure	Noise
	(V)	(A)	(W)	(RPM)	(CFM)	(inH ₂ O)	dB(A)
① AD8015V12_JWGE	12	0.06	0.72	2400	22.0	0.05	25
① AD8015V24_JWGE	24	0.04	0.96	2400	22.0	0.05	25
② AD8015V12_LWGE	12	0.10	1.20	2700	27.5	0.09	30
② AD8015V24_LWGE	24	0.06	1.44	2700	27.5	0.09	30
③ AD8015V12_MWGE	12	0.12	1.44	3100	31.5	0.10	32
③ AD8015V24_MWGE	24	0.08	1.92	3100	31.5	0.10	32
④ AD8015V12_HWGE	12	0.16	1.92	3600	37.6	0.15	36
④ AD8015V24_HWGE	24	0.10	2.40	3600	37.6	0.15	36
⑤ AD8015V12_UWGE	12	0.30	3.60	4500	45.2	0.21	43

_ for B / S / F = Ball Bearing / Sleeve Bearing / Fluid Bearing

AD8025GE SERIES

- Size: 80 x 80 x 25mm
- Housing: Plastic (UL 94V-0)
- Impeller: Plastic (UL 94V-0)
- Motor: 4 Pole Brushless DC Motor
- Operating Temperature: -10°C ~ +70°C
- Insulation: Class A
- Weight: 80.0g

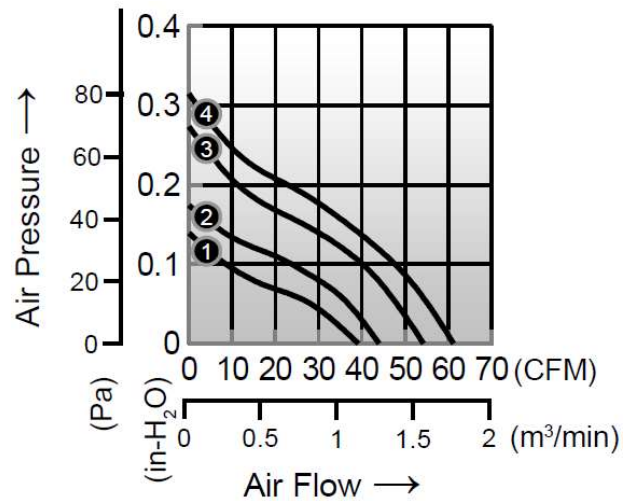
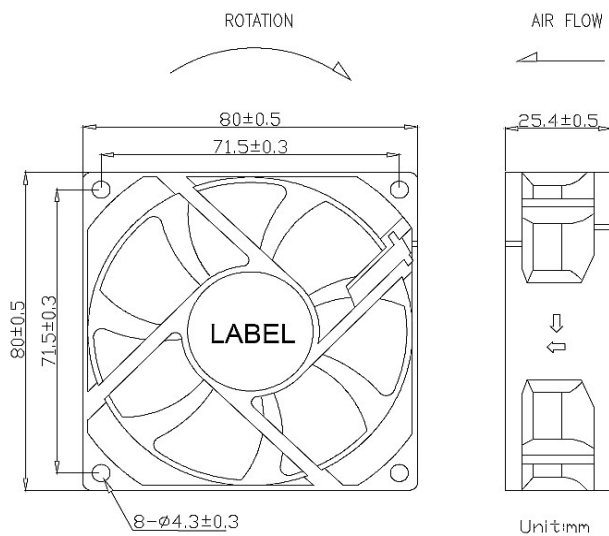


Model Number	Voltage	Current	Power	Speed	Air Flow	Pressure	Noise
	(V)	(A)	(W)	(RPM)	(CFM)	(inH2O)	dB(A)
① AD8025V05_UWGE	5	0.30	1.50	2700	31.8	0.11	28
① AD8025V12_JWGE	12	0.17	2.04	2700	31.8	0.11	29
① AD8025V24_JWGE	24	0.08	1.92	2700	31.8	0.11	29
② AD8025V12_LWGE	12	0.19	2.28	3000	35.4	0.14	33
② AD8025V24_LWGE	24	0.11	2.64	3000	35.4	0.14	33
② AD8025V48_MWGE	48	0.06	2.88	3000	35.4	0.14	33
③ AD8025V12_MWGE	12	0.23	2.76	3600	42.4	0.20	38
③ AD8025V24_MWGE	24	0.16	3.84	3600	42.4	0.20	38
③ AD8025V48_HWGE	48	0.09	4.32	3600	42.4	0.20	38
④ AD8025V12_HWGE	12	0.32	3.84	4300	50.5	0.27	43
④ AD8025V24_HWGE	24	0.23	5.52	4300	50.5	0.27	43
④ AD8025V48_UWGE	48	0.20	9.60	4300	50.5	0.27	43
⑤ AD8025V12_UWGE	12	0.50	6.00	5000	60.0	0.38	48
⑤ AD8025V24BUWGE	24	0.25	6.00	5000	60.0	0.38	48
⑤ AD8025V48BVWGE	48	0.21	10.08	5000	60.0	0.38	48
⑥ AD8025V12BVWGE	12	0.50	6.00	5700	74.3	0.38	50

_ for B / S / F = Ball Bearing / Sleeve Bearing / Fluid Bearing

AD8025GC SERIES

- Size: 80 x 80 x 25mm
- Housing: Plastic (UL 94V-0)
- Impeller: Plastic (UL 94V-0)
- Motor: 4 Pole Brushless DC Motor
- Operating Temperature: -10°C ~ +70°C
- Insulation: Class A
- Weight: 85.0g

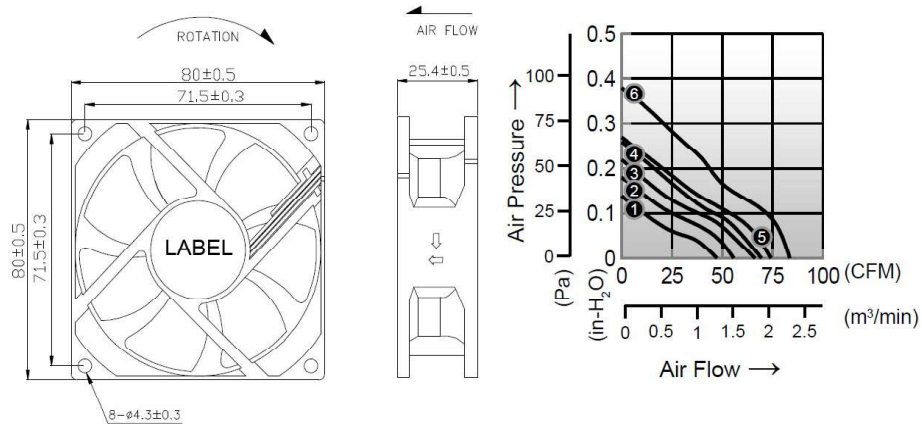


Model Number	Voltage	Current	Power	Speed	Air Flow	Pressure	Noise
	(V)	(A)	(W)	(RPM)	(CFM)	(inH2O)	dB(A)
① AD8025V12_LWGC	12	0.14	1.68	2700	34.6	0.12	28
① AD8025V24_JWGC	24	0.08	1.92	2700	34.6	0.12	28
① AD8025V48_JWGC	48	0.05	2.40	2700	34.6	0.12	28
② AD8025V12_MWGC	12	0.20	2.40	3000	38.5	0.17	31
② AD8025V24_LWGC	24	0.11	2.64	3000	38.5	0.17	31
② AD8025V48_LWGC	48	0.07	3.36	3000	38.5	0.17	31
③ AD8025V12_HWGC	12	0.24	2.88	3600	54.3	0.28	36
③ AD8025V24_MWGC	24	0.20	4.80	3600	54.3	0.28	36
③ AD8025V48_MWGC	48	0.07	3.36	3600	54.3	0.28	36
④ AD8025V12_UWGC	12	0.44	5.28	4300	61.2	0.32	40
④ AD8025V24_HWGC	24	0.20	4.80	4300	61.2	0.32	40
④ AD8025V48_HWGE	48	0.11	5.28	4300	61.2	0.32	40

_ for B / F = Ball Bearing / Fluid Bearing

AD8025GD SERIES

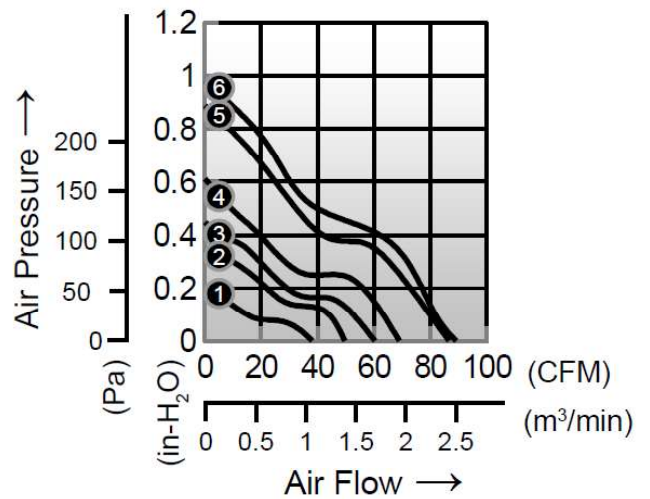
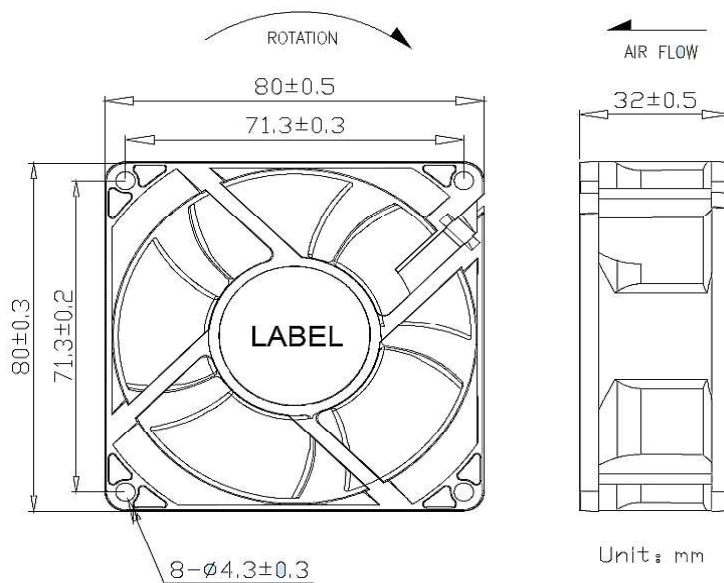
- Size: 80 x 80 x 25mm
- Housing: Plastic (UL 94V-0)
- Impeller: Plastic (UL 94V-0)
- Motor: 4 Pole Brushless DC Motor
- Operating Temperature: -10°C ~ +70°C
- Insulation: Class A
- Weight: 82.0g



Model Number	Voltage	Current	Power	Speed	Air Flow	Pressure	Noise
	(V)	(A)	(W)	(RPM)	(CFM)	(inH2O)	dB(A)
① AD8025V12BJWGD	12	0.20	2.40	3500	47.5	0.14	31
① AD8025V24BJWGD	24	0.12	2.88	3500	47.5	0.14	31
① AD8025V48BJWGD	48	0.10	4.80	3500	47.5	0.14	31
② AD8025V12BIWGD	12	0.32	3.84	4000	55.8	0.18	31
② AD8025V24BIWGD	24	0.16	3.84	4000	55.8	0.18	31
② AD8025V48BIWGD	48	0.15	7.20	4000	55.8	0.18	31
③ AD8025V12BLWGD	12	0.40	4.80	4500	66.4	0.22	39
③ AD8025V24BLWGD	24	0.22	5.28	4500	66.4	0.22	39
③ AD8025V48BLWGD	48	0.17	8.16	4500	66.4	0.22	39
④ AD8025V12BMWGD	12	0.65	7.80	5000	69.9	0.26	45
④ AD8025V24BMWGD	24	0.32	7.68	5000	69.9	0.26	45
④ AD8025V48BMWGD	48	0.19	9.12	5000	69.9	0.26	45
⑤ AD8025V12BHWGD	12	0.81	9.72	5500	74.3	0.27	48
⑤ AD8025V24BHWGD	24	0.45	10.80	5500	74.3	0.27	48
⑤ AD8025V48BHWGD	48	0.29	13.92	5500	74.3	0.27	48
⑥ AD8025V12BUWGD	12	1.00	12.00	6500	83.6	0.38	57
⑥ AD8025V24BUWGD	24	0.51	12.24	6500	83.6	0.38	57
⑥ AD8025V248UWGD	48	0.60	28.80	6500	83.6	0.38	57

AD8032GE SERIES

- Size: 80 x 80 x 32mm
- Housing: Plastic (UL 94V-0)
- Impeller: Plastic (UL 94V-0)
- Motor: 4 Pole Brushless DC Motor
- Operating Temperature: -10°C ~ +70°C
- Insulation: Class A
- Weight: 120.0g

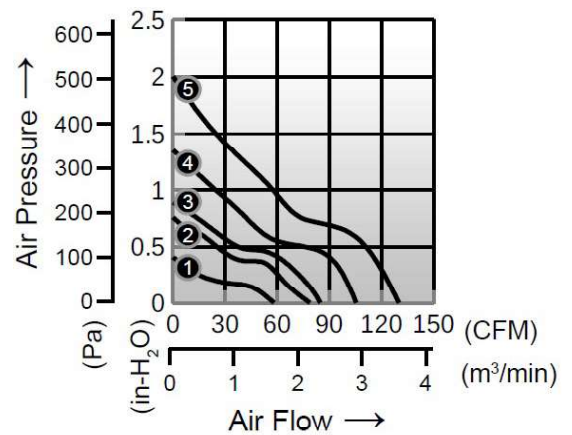
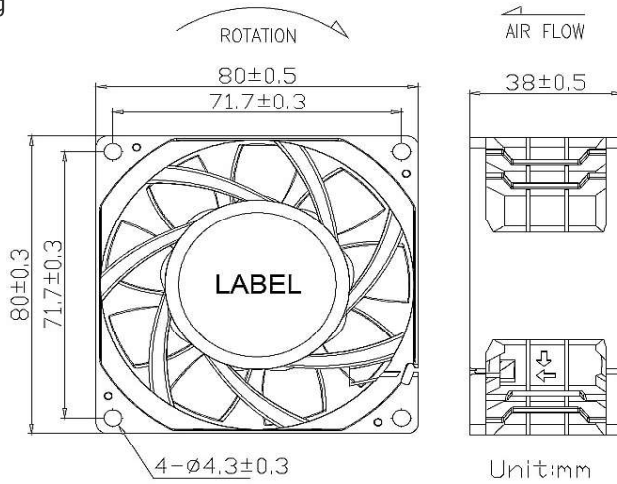


Model Number	Voltage	Current	Power	Speed	Air Flow	Pressure	Noise
	(V)	(A)	(W)	(RPM)	(CFM)	(inH ₂ O)	dB(A)
① AD8032V12BJWGE	12	0.15	1.80	3000	38.2	0.20	31
② AD8032V12BLWGE	12	0.20	2.40	4000	49.7	0.35	39
③ AD8032V12BMWGE	12	0.35	4.20	4800	60.4	0.45	45
③ AD8032V24BJWGE	24	0.35	8.40	4800	60.4	0.45	45
④ AD8032V12BHWGE	12	0.50	6.00	5500	69.1	0.61	48
④ AD8032V24BLWGE	24	0.50	12.00	5500	69.1	0.61	48
⑤ AD8032V12BUWGE	12	0.80	9.60	6800	86.7	0.89	54
⑥ AD8032V24BMWGE	24	0.75	18.00	7000	89.2	0.98	55

B = Ball Bearing

AD8038GB SERIES

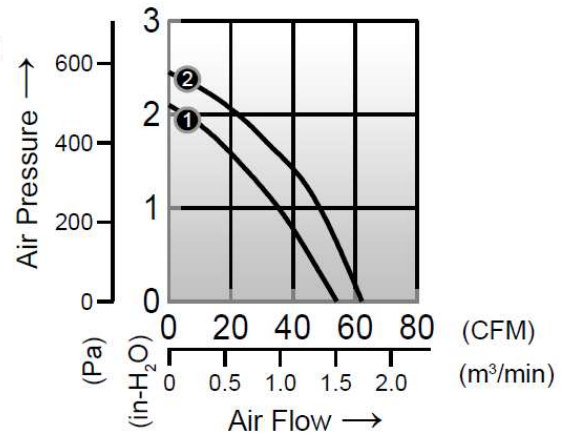
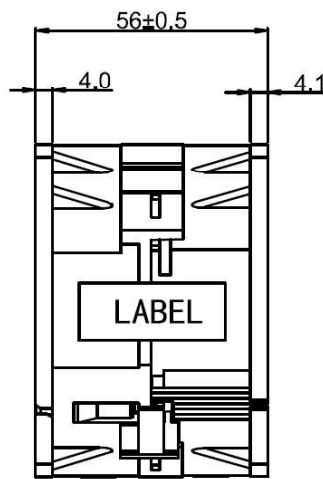
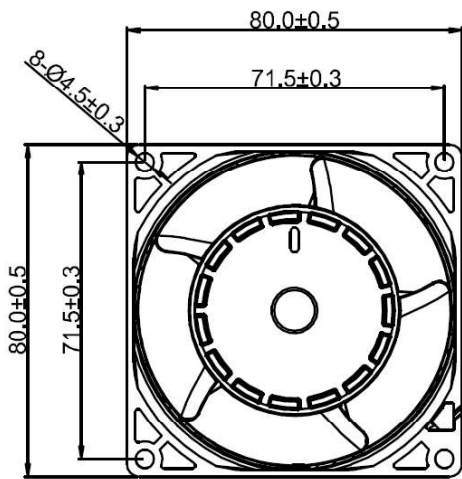
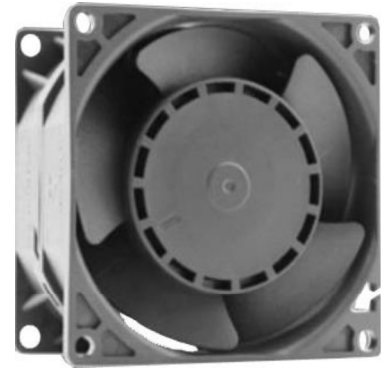
- Size: 80 x 80 x 38mm
- Housing: Plastic (UL 94V-0)
- Impeller: Plastic (UL 94V-0)
- Motor: 4 Pole Brushless DC Motor
- Operating Temperature: -10°C ~ +70°C
- Insulation: Class A
- Weight: 210.0g



Model Number	Voltage	Current	Power	Speed	Air Flow	Pressure	Noise
	(V)	(A)	(W)	(RPM)	(CFM)	(inH2O)	dB(A)
① AD8038V12BLWGB	12	0.40	4.80	4200	58.2	0.41	45
① AD8038V24BLWGB	24	0.25	6.00	4200	58.2	0.41	45
① AD8038V48BLWGB	48	0.23	11.04	4200	58.2	0.41	45
② AD8038V12BMWGB	12	0.76	9.12	5600	78.8	0.76	53
② AD8038V24BMWGB	24	0.35	8.40	5600	78.8	0.76	53
② AD8038V48BMWGB	48	0.33	15.84	5600	78.8	0.76	53
③ AD8038V12BHWGB	12	1.00	12.00	6100	84.8	0.89	56
③ AD8038V24BHWGB	24	0.45	10.80	6100	84.8	0.89	56
③ AD8038V48BHWGB	48	0.51	24.48	6100	84.8	0.89	56
④ AD8038V12BUWGB	12	1.50	18.00	7500	105.5	1.36	62
④ AD8038V24BUWGB	24	0.82	19.68	7500	105.5	1.36	62
④ AD8038V48BUWGB	48	0.58	27.84	7500	105.5	1.36	62
⑤ AD8038V12BVWGB	12	2.70	32.40	9000	130.0	2.00	66
⑤ AD8038V24BVWGB	24	1.40	33.60	9000	130.0	2.00	66
⑤ AD8038V48BVWGB	48	0.96	46.08	9000	130.0	2.00	66

AD8056GB SERIES

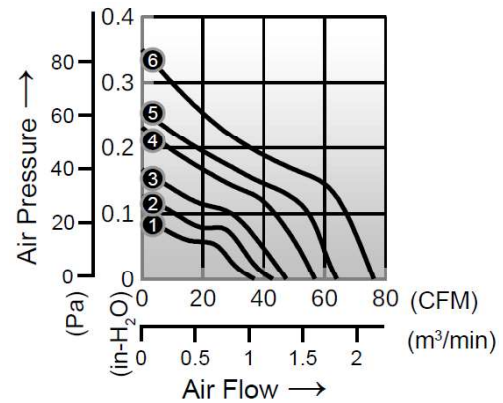
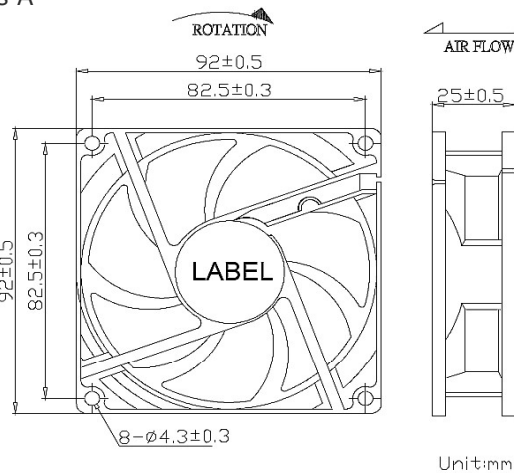
- Size: 80 x 80 x 56mm
- Housing: Plastic (UL 94V-0)
- Impeller: Plastic (UL 94V-0)
- Motor: 4 Pole Brushless DC Motor
- Operating Temperature: -10°C ~ +70°C
- Insulation: Class A
- Weight: 308.0g



Model Number	Voltage	Current	Power	Speed	Air Flow	Pressure	Noise
	(V)	(A)	(W)	(RPM)	(CFM)	(inH2O)	dB(A)
① AD8056V12BMWGB	12	0.40	4.80	8000	54.1	2.10	64
				7400			
② AD8056V12BHWGB	12	0.25	3.00	9600	62.2	2.45	68
				8300			

AD9225GE SERIES

- Size: 92 x 92 x 25mm
- Housing: Plastic (UL 94V-0)
- Impeller: Plastic (UL 94V-0)
- Motor: 4 Pole Brushless DC Motor
- Operating Temperature: -10°C ~ +70°C
- Insulation: Class A
- Weight: 85.0g

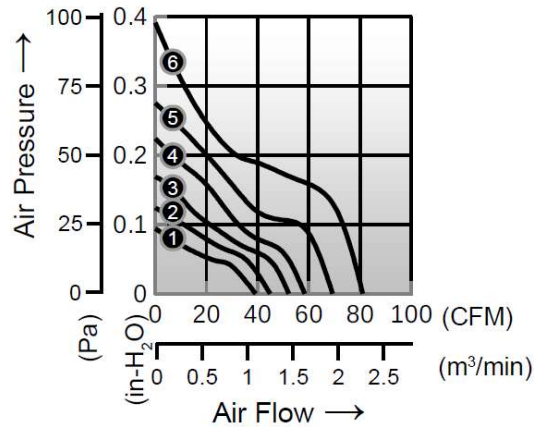
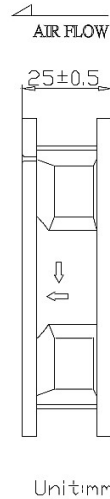
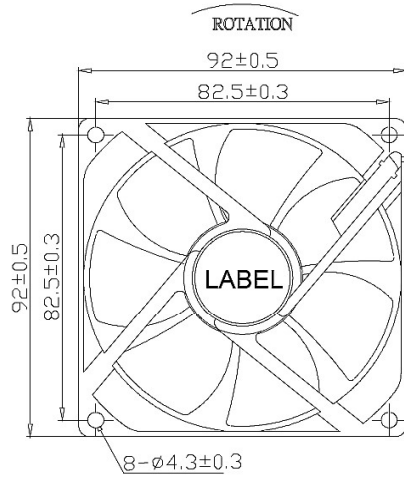


Model Number	Voltage	Current	Power	Speed	Air Flow	Pressure	Noise
	(V)	(A)	(W)	(RPM)	(CFM)	(inH ₂ O)	dB(A)
① AD9225V12_JWGE	12	0.12	1.44	2100	37.0	0.09	25
① AD9225V24_JWGE	24	0.06	1.44	2100	37.0	0.09	25
① AD9225V48_JWGE	48	0.05	2.40	2100	37.0	0.09	25
② AD9225V12_LWGE	12	0.14	1.68	2450	43.0	0.13	30
② AD9225V24_LWGE	24	0.08	1.92	2450	43.0	0.13	30
② AD9225V48_LWGE	48	0.06	2.88	2450	43.0	0.13	30
③ AD9225V12_MWGE	12	0.17	2.04	2850	47.5	0.17	34
③ AD9225V24_MWGE	24	0.10	2.40	2850	47.5	0.17	34
③ AD9225V48_MWGE	48	0.08	3.84	2850	47.5	0.17	34
④ AD9225V12_HWGE	12	0.20	2.40	3200	56.8	0.23	38
④ AD9225V24_HWGE	24	0.15	3.60	3200	56.8	0.23	38
④ AD9225V48_HWGE	48	0.01	0.48	3200	56.8	0.23	38
⑤ AD9225V12_UWGE	12	0.35	4.20	3800	64.0	0.26	45
⑤ AD9225V24_UWGE	24	0.20	4.80	3800	64.0	0.26	45
⑥ AD9225V12_VWGE	12	0.41	4.92	4200	76.1	0.35	49
⑥ AD9225V24_VWGE	24	0.22	5.28	4200	76.1	0.35	49

_ for B / S / F = Ball Bearing / Sleeve Bearing / Fluid Bearing

AD9225GC SERIES

- Size: 92 x 92 x 25mm
- Housing: Plastic (UL 94V-0)
- Impeller: Plastic (UL 94V-0)
- Motor: 4 Pole Brushless DC Motor
- Operating Temperature: -10°C ~ +70°C
- Insulation: Class A
- Weight: 89.0g

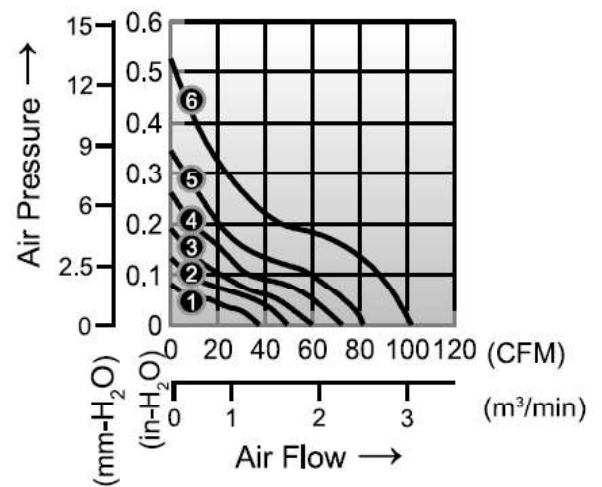
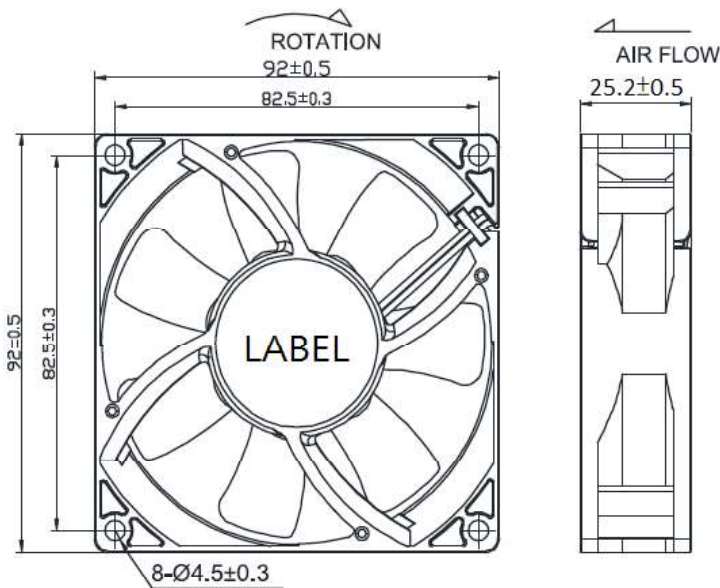


Model Number	Voltagge	Current	Power	Speed	Air Flow	Pressure	Noise
	(V)	(A)	(W)	(RPM)	(CFM)	(inH2O)	dB(A)
① AD9225V12_JWGC	12	0.09	1.08	2100	39.2	0.09	25
① AD9225V24_JWGC	24	0.06	1.44	2100	39.2	0.09	25
① AD9225V48_JWGC	48	0.50	24.00	2100	39.2	0.09	25
② AD9225V12_LWGC	12	0.11	1.32	2450	44.8	0.12	30
② AD9225V24_LWGC	24	0.08	1.92	2450	44.8	0.12	30
② AD9225V48_LWGC	48	0.06	2.88	2450	44.8	0.12	30
③ AD9225V12_MWGC	12	0.14	1.68	2850	52.1	0.17	34
③ AD9225V24_MWGC	24	0.13	3.12	2850	52.1	0.17	34
③ AD9225V48_MWGC	48	0.08	3.84	2850	52.1	0.17	34
④ AD9225V12_HWGC	12	0.20	2.40	3200	58.3	0.22	38
④ AD9225V24_HWGC	24	0.15	3.60	3200	58.3	0.22	38
④ AD9225V48_HWGC	48	0.12	5.76	3200	58.3	0.22	38
⑤ AD9225V12_UWGC	12	0.30	3.60	3800	69.2	0.28	45
⑤ AD9225V24_UWGC	24	0.20	4.80	3800	69.2	0.28	45
⑤ AD9225V48_UWGC	48	0.15	7.20	3800	69.2	0.28	45
⑥ AD9225V12_VWGC	12	0.41	4.92	4500	81.0	0.40	49

_ for B / F = Ball Bearing / Fluid Bearing

AD9225GD SERIES

- Size: 92 x 92 x 25mm
- Housing: Plastic (UL 94V-0)
- Impeller: Plastic (UL 94V-0)
- Motor: 4 Pole Brushless DC Motor
- Operating Temperature: -10°C ~ +70°C
- Insulation: Class A
- Weight: 89.0g

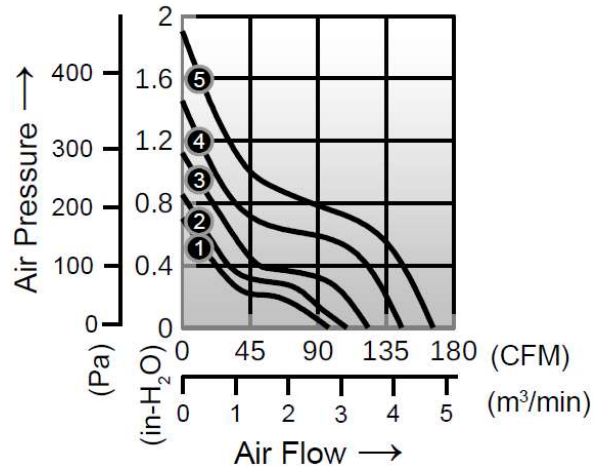
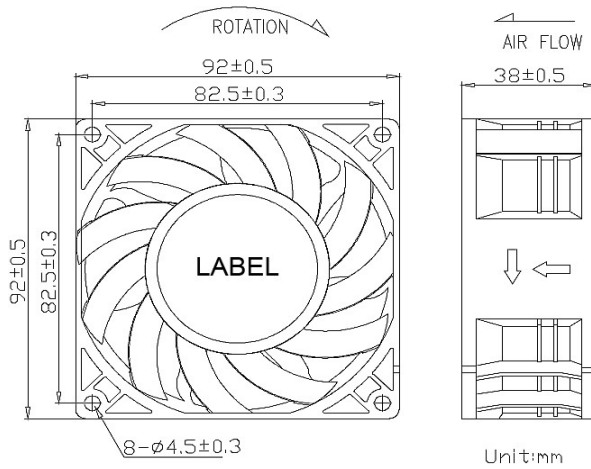


Model Number	Voltage	Current	Power	Speed	Air Flow	Pressure	Noise
	(V)	(A)	(W)	(RPM)	(CFM)	(inH ₂ O)	dB(A)
① AD9225V12BJWGD	12	0.10	1.20	1800	37.3	0.08	25
① AD9225V24BJWGD	24	0.08	1.92	1800	37.3	0.08	25
② AD9225V12BLWGD	12	0.12	1.44	2300	49.5	0.13	31
② AD9225V24BLWGD	24	0.10	2.40	2300	49.5	0.13	31
③ AD9225V12BMWGD	12	0.21	2.57	2800	59.9	0.19	37
③ AD9225V24BMWGD	24	0.12	2.88	2800	59.9	0.19	37
④ AD9225V12BHWGD	12	0.32	3.84	3300	72.7	0.26	42
④ AD9225V24BHWGD	24	0.18	4.32	3300	72.7	0.26	42
⑤ AD9225V12BUWGD	12	0.40	4.80	3800	81.5	0.34	46
⑤ AD9225V24BUWGD	24	0.25	6.00	3800	81.5	0.34	46
⑥ AD9225V12BVWGD	12	0.75	9.00	4800	102.6	0.40	53
⑥ AD9225V24BVWGD	24	0.40	9.60	4800	102.6	0.40	53

B = Ball Bearing

AD9238GB SERIES

- Size: 92 x 92 x 38mm
- Housing: Plastic (UL 94V-0)
- Impeller: Plastic (UL 94V-0)
- Motor: 4 Pole Brushless DC Motor
- Operating Temperature: -10°C ~ +70°C
- Insulation: Class A
- Weight: 200.0g

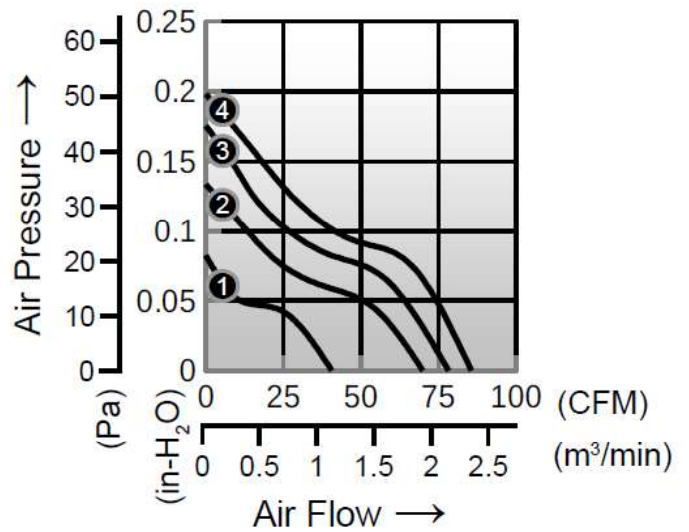
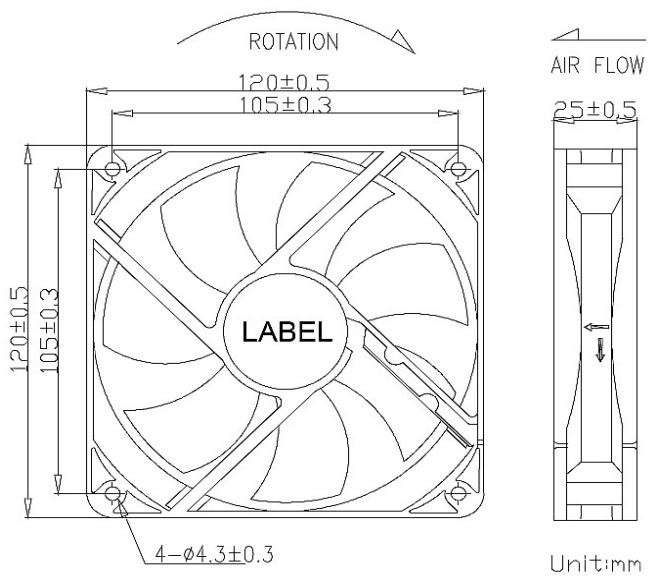


Model Number	Voltage	Current	Power	Speed	Air Flow	Pressure	Noise
	(V)	(A)	(W)	(RPM)	(CFM)	(inH2O)	dB(A)
① AD9238V12BLWGB	12	0.50	6.00	4300	97.1	0.70	52
① AD9238V24BLWGB	24	0.35	8.40	4300	97.1	0.70	52
① AD9238V48BLWGB	48	0.24	11.52	4300	97.1	0.70	52
② AD9238V12BMWGB	12	0.96	11.52	5000	109.2	0.86	58
② AD9238V24BMWGB	24	0.45	10.80	5000	109.2	0.86	58
② AD9238V48BMWGB	48	0.28	13.44	5000	109.2	0.86	58
③ AD9238V12BHWGB	12	1.20	14.40	6000	123.4	1.12	64
③ AD9238V24BHWGB	24	0.76	18.24	6000	123.4	1.12	64
③ AD9238V48BHWGB	48	0.41	19.68	6000	123.4	1.12	64
④ AD9238V12BUWGB	12	2.50	30.00	7000	145.6	1.46	67
④ AD9238V24BUWGB	24	1.10	26.40	6000	145.6	1.46	67
④ AD9238V48BUWGB	48	0.72	34.56	7000	145.6	1.46	67
⑤ AD9238V12BVWGB	12	2.95	35.40	8000	166.4	1.91	72
⑤ AD9238V24BVWGB	24	1.70	40.80	8000	166.4	1.91	72
⑤ AD9238V48BVWGB	48	0.94	45.12	8000	166.4	1.91	72

B = Ball Bearing

AD1225GE SERIES

- Size: 120 x 120 x 25mm
- Housing: Plastic (UL 94V-0)
- Impeller: Plastic (UL 94V-0)
- Motor: 4 Pole Brushless DC Motor
- Operating Temperature: -10°C ~ +70°C
- Insulation: Class A
- Weight: 152.0g

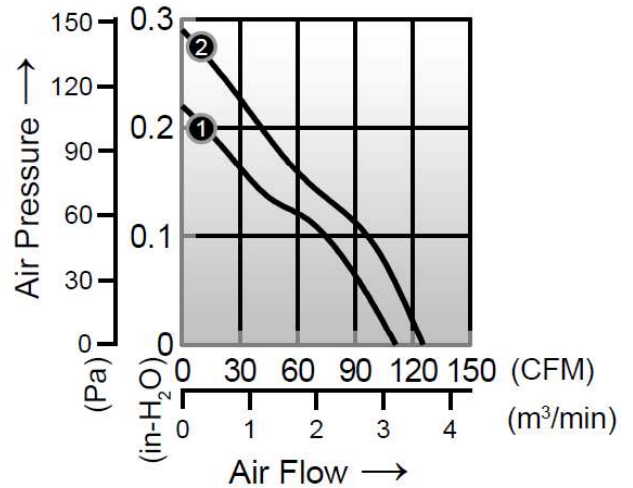
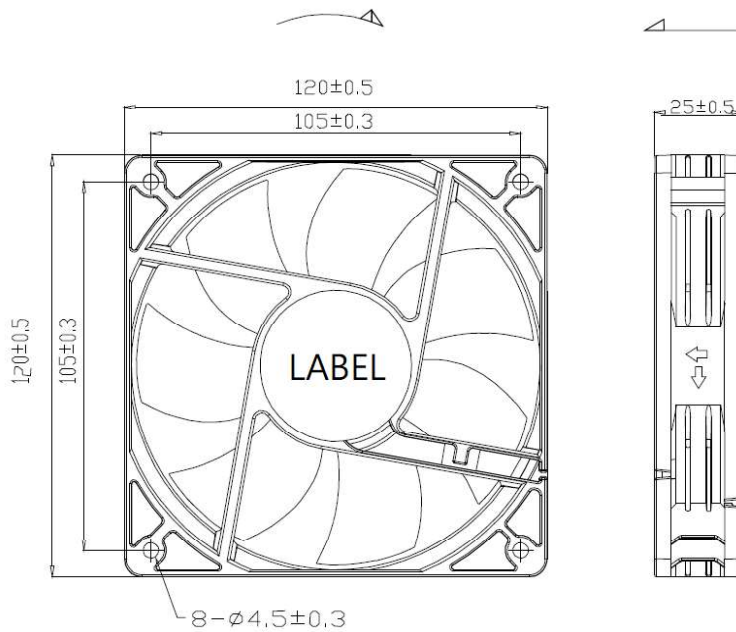


Model Number	Voltage	Current	Power	Speed	Air Flow	Pressure	Noise
	(V)	(A)	(W)	(RPM)	(CFM)	(inH2O)	dB(A)
① AD1225V12_JWGE	12	0.08	0.96	1200	40.6	0.08	19
① AD1225V24_JWGE	24	0.05	1.20	1200	40.6	0.08	19
② AD1225V12_LWGE	12	0.18	2.16	1900	69.6	0.13	29
② AD1225V24_LWGE	24	0.10	2.40	1900	69.6	0.13	29
③ AD1225V12_MWGE	12	0.20	2.40	2200	78.2	0.18	31
③ AD1225V24_MWGE	24	0.18	4.32	2200	78.2	0.18	31
④ AD1225V12_HWGE	12	0.28	3.36	2500	85.5	0.20	36
④ AD1225V24_HWGE	24	0.26	6.24	2500	85.5	0.20	36

_ for B / S / F = Ball Bearing / Sleeve Bearing / Fluid Bearing

AD1225GD SERIES

- Size: 120 x 120 x 25mm
- Housing: Plastic (UL 94V-0)
- Impeller: Plastic (UL 94V-0)
- Motor: 4 Pole Brushless DC Motor
- Operating Temperature: -10°C ~ +70°C
- Insulation: Class A
- Weight: 155.0g

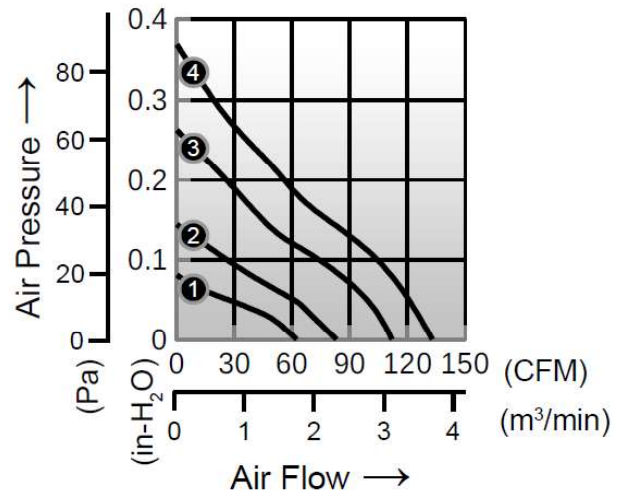
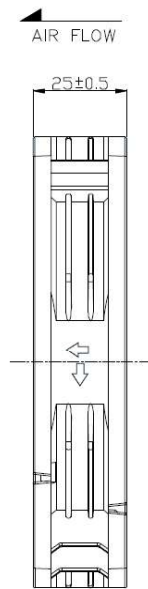
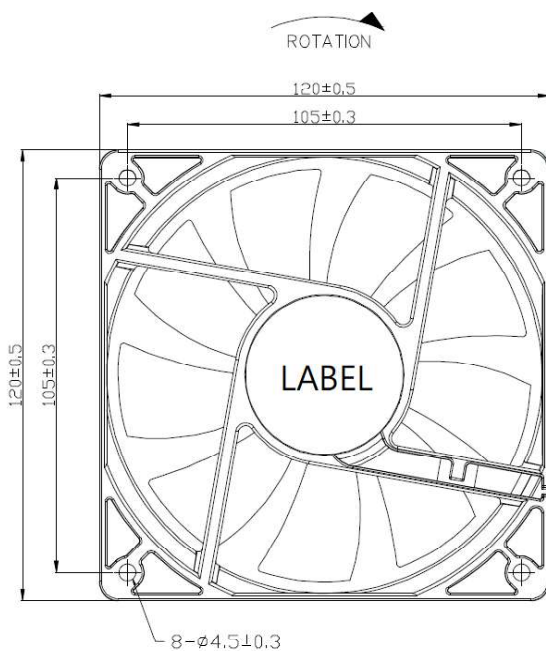


Model Number	Voltage	Current	Power	Speed	Air Flow	Pressure	Noise
	(V)	(A)	(W)	(RPM)	(CFM)	(inH ₂ O)	dB(A)
① AD1225V12BHWGD	12	0.28	3.36	2500	111.2	0.22	44
① AD1225V24BHWGD	24	0.25	6.00	2500	111.2	0.22	44
① AD1225V48BHWGD	48	0.10	4.80	2500	111.2	0.22	44
② AD1225V12BUWGD	12	0.47	5.64	3100	125.4	0.29	48
② AD1225V24BUWGD	24	0.30	7.20	3100	125.4	0.29	48
② AD1225V48BUWGD	48	0.12	5.76	3100	125.4	0.29	48

B = Ball Bearing

AD1225GT SERIES

- Size: 120 x 120 x 25mm
- Housing: Plastic (UL 94V-0)
- Impeller: Plastic (UL 94V-0)
- Motor: 4 Pole Brushless DC Motor
- Operating Temperature: -10°C ~ +70°C
- Insulation: Class A
- Weight: 230.0g

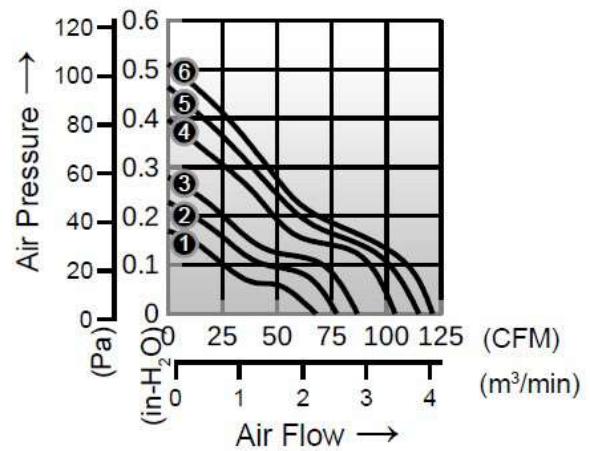
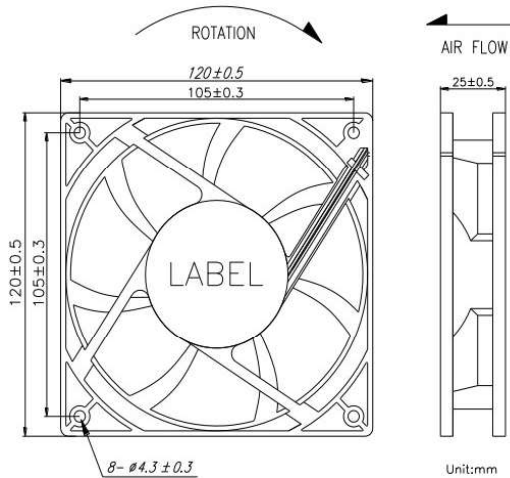


Model Number	Voltage	Current	Power	Speed	Air Flow	Pressure	Noise
	(V)	(A)	(W)	(RPM)	(CFM)	(inH ₂ O)	dB(A)
① AD1225V12BJWGT	12	0.15	1.80	1500	62.4	0.08	30
① AD1225V24BJWGT	24	0.10	2.40	1500	62.4	0.08	30
② AD1225V12BLWGT	12	0.25	3.00	2000	83.1	0.14	36
② AD1225V24BLWGT	24	0.15	3.60	2000	83.1	0.14	36
③ AD1225V12BMWGT	12	0.40	4.80	2700	112.2	0.26	44
③ AD1225V24BMWGT	24	0.20	4.80	2700	112.2	0.26	44
④ AD1225V12BHWGT	12	0.65	7.80	3200	133.0	0.37	50
④ AD1225V24BHWGT	24	0.35	8.40	3200	133.0	0.37	50

B = Ball Bearing

AD1225GC SERIES

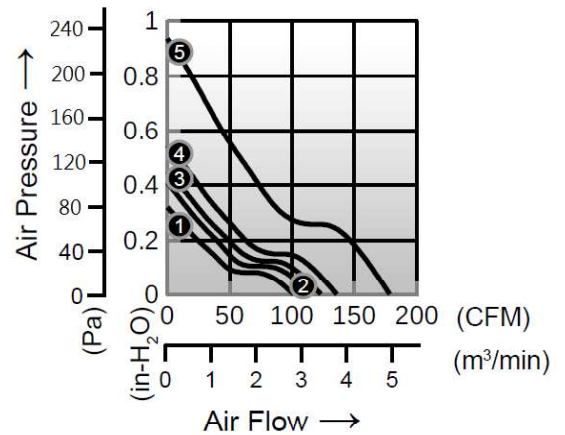
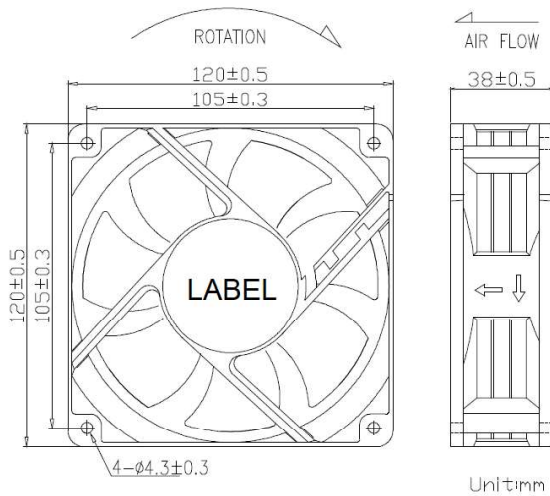
- Size: 120 x 120 x 25mm
- Housing: Plastic (UL 94V-0)
- Impeller: Plastic (UL 94V-0)
- Motor: 4 Pole Brushless DC Motor
- Operating Temperature: -10°C ~ +70°C
- Insulation: Class A
- Weight: 230.0g



Model Number	Voltage	Current	Power	Speed	Air Flow	Pressure	Noise
	(V)	(A)	(W)	(RPM)	(CFM)	(inH ₂ O)	dB(A)
① AD1225V12BJWGC	12	0.20	2.40	2100	67.7	0.17	35
① AD1225V12BLWGC	12	0.12	1.44	2100	67.7	0.17	35
② AD1225V12BLWGC	12	0.30	3.60	2500	77.2	0.23	39
② AD1225V24BLWGC	24	0.17	4.08	2500	77.2	0.23	39
② AD1225V48BLWGC	48	0.10	4.80	2500	77.2	0.23	39
③ AD1225V12BMWGC	12	0.48	5.76	2800	86.7	0.28	42
③ AD1225V24BMWGC	24	0.23	5.52	2800	86.7	0.28	42
③ AD1225V48BMWGC	48	0.11	5.28	2800	86.7	0.28	42
④ AD1225V12BHWGC	12	0.50	6.00	3400	103.9	0.40	47
④ AD1225V24BHWGC	24	0.28	6.72	3400	103.9	0.40	47
④ AD1225V48BHWGC	48	0.12	5.76	3400	103.9	0.40	47
⑤ AD1225V12BUWGC	12	0.62	7.44	3700	114.8	0.46	50
⑤ AD1225V24BUWGC	24	0.30	7.20	3700	114.8	0.46	50
⑥ AD1225V12BVWGC	12	0.65	7.80	4000	121.1	0.51	52
⑥ AD1225V24BVWGC	24	0.40	9.60	4000	121.1	0.51	52

AD1238GE SERIES

- Size: 120 x 120 x 38mm
- Housing: Plastic (UL 94V-0)
- Impeller: Plastic (UL 94V-0)
- Motor: 4 Pole Brushless DC Motor
- Operating Temperature: -10°C ~ +70°C
- Insulation: Class A
- Weight: 260.0g

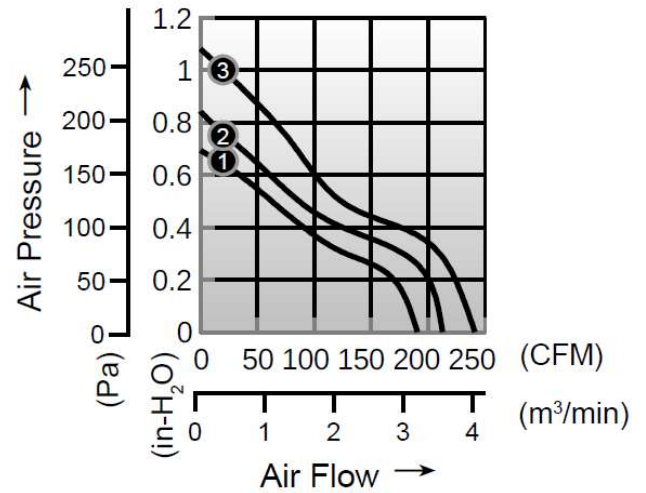
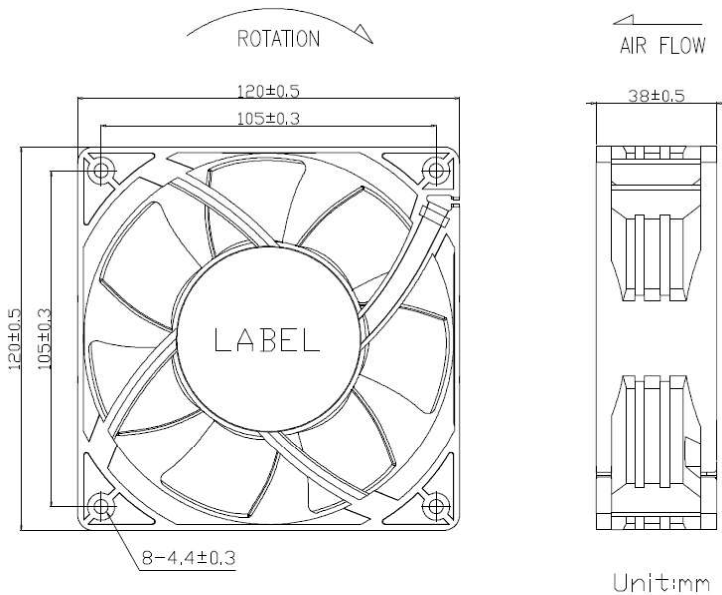


Model Number	Voltage	Current	Power	Speed	Air Flow	Pressure	Noise
	(V)	(A)	(W)	(RPM)	(CFM)	(inH2O)	dB(A)
① AD1238V12_MWGE	12	0.18	2.16	2300	101.4	0.32	38
① AD1238V24_LWGE	24	0.14	3.36	2300	101.4	0.32	38
① AD1238V48_IWGE	48	0.10	4.80	2300	101.4	0.32	38
② AD1238V12_HWGE	12	0.40	4.80	2600	114.7	0.41	41
② AD1238V24_MWGE	24	0.30	7.20	2600	114.7	0.41	41
② AD1238V48BJWGE	48	0.14	6.72	2600	114.7	0.41	41
③ AD1238V12BUWGE	12	0.75	9.00	2900	123.2	0.45	44
③ AD1238V24BHWGE	24	0.48	11.52	2900	123.2	0.45	44
③ AD1238V48BLWGE	48	0.25	12.00	2900	123.2	0.45	44
④ AD1238V12BVWGE	12	0.80	9.60	3200	135.9	0.54	48
④ AD1238V24BUWGE	24	0.62	14.88	3200	135.9	0.54	48
④ AD1238V48BMWGE	48	0.30	14.40	3200	135.9	0.54	48
⑤ AD1238V12BWWGE	12	1.55	18.60	4200	178.4	0.94	54
⑤ AD1238V24BVWGE	24	0.85	20.40	4200	178.4	0.94	54
⑤ AD1238V48BHWGE	48	0.48	23.04	4200	178.4	0.94	54

_ for B / F = Ball Bearing / Fluid Bearing

AD1238GD SERIES

- Size: 120 x 120 x 38mm
- Housing: Plastic (UL 94V-0)
- Impeller: Plastic (UL 94V-0)
- Motor: 4 Pole Brushless DC Motor
- Operating Temperature: -10°C ~ +70°C
- Insulation: Class A
- Weight: 280.0g

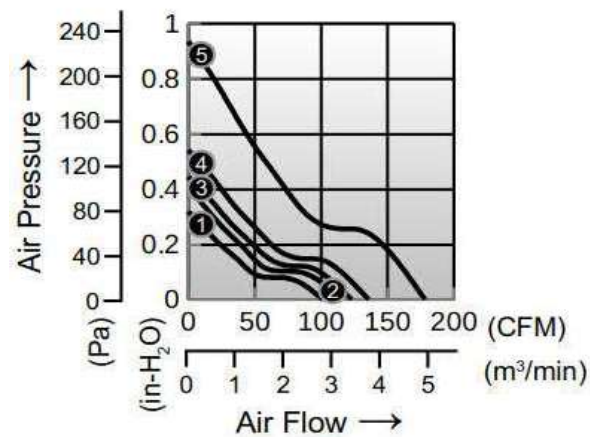
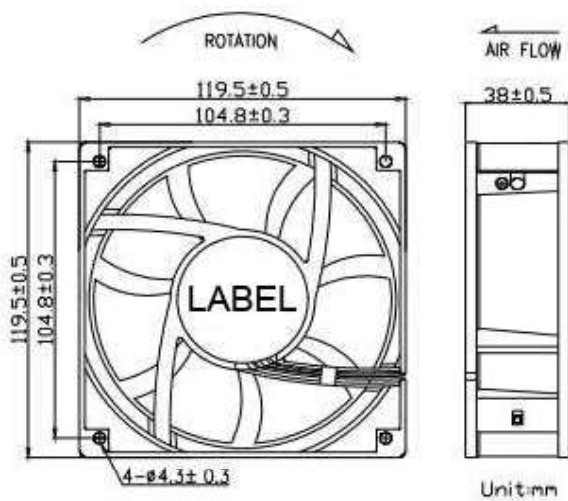


Model Number	Voltage	Current	Power	Speed	Air Flow	Pressure	Noise
	(V)	(A)	(W)	(RPM)	(CFM)	(inH ₂ O)	dB(A)
① AD1238V12BJWGD	12	1.50	18.00	4100	190.5	0.69	56
① AD1238V24BJWGD	24	0.70	16.80	4100	190.5	0.69	56
① AD1238V48BJWGD	48	0.41	19.68	4100	190.5	0.69	56
② AD1238V12BLWGD	12	1.75	21.00	4600	212.6	0.84	59
② AD1238V24BLWGD	24	0.85	20.40	4600	212.6	0.84	59
② AD1238V48BLWGD	48	0.47	22.56	4600	212.6	0.84	59
③ AD1238V24BMWGD	24	1.45	34.80	5200	241.0	1.08	62
③ AD1238V48BMWGD	48	0.55	26.40	5200	241.0	1.08	62

B = Ball Bearing

AD1238GFM SERIES

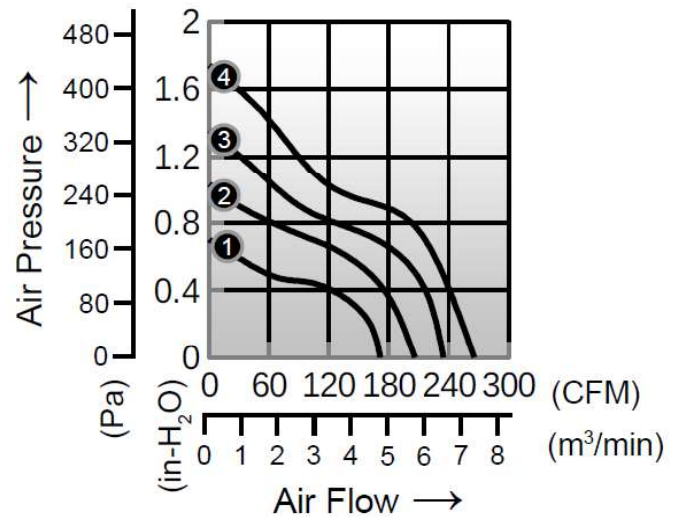
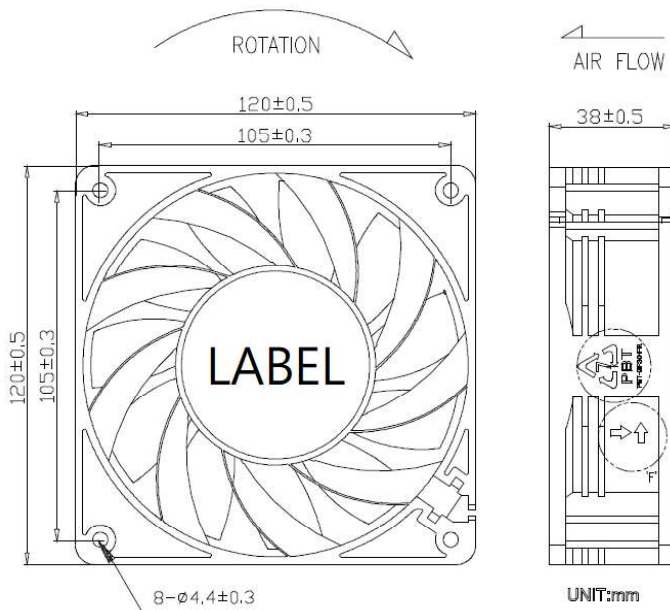
- Size: 120 x 120 x 38mm
- Housing: Metal Frame
- Impeller: Plastic (UL 94V-0)
- Motor: 4 Pole Brushless DC Motor
- Operating Temperature: -10°C ~ +70°C
- Insulation: Class A
- Weight: 320.0g



Model Number	Voltage	Current	Power	Speed	Air Flow	Pressure	Noise
	(V)	(A)	(W)	(RPM)	(CFM)	(inH ₂ O)	dB(A)
① AD1238V24BJWGFM	24	0.18	4.32	2300	101.4	0.32	38
① AD1238V48BJWGFM	48	0.09	4.32	2300	101.4	0.32	38
② AD1238V12BLWGFM	12	0.40	4.80	2600	114.7	0.41	41
② AD1238V24BLWGFM	24	0.25	6.00	2600	114.7	0.41	41
② AD1238V48BLWGFM	48	0.18	8.64	2600	114.7	0.41	41
③ AD1238V12BMWGFM	12	0.50	6.00	2900	123.2	0.45	44
③ AD1238V24BMWGFM	24	0.40	9.60	2900	123.2	0.45	44
③ AD1238V48BMWGFM	48	0.20	9.60	2900	123.2	0.45	44
④ AD1238V12BHWGFM	12	0.80	9.60	3200	135.9	0.54	48
④ AD1238V24BHWGFM	24	0.46	11.04	3200	135.9	0.54	48
④ AD1238V48BHWGFM	48	0.30	14.40	3200	135.9	0.54	48
⑤ AD1238V12BUWGFM	12	1.60	19.20	4200	178.4	0.94	54
⑤ AD1238V24BUWGFM	24	0.80	19.20	4200	178.4	0.94	54
⑤ AD1238V48BUWGFM	48	0.53	25.44	4200	178.4	0.94	54

AD1238GB SERIES

- Size: 120 x 120 x 38mm
- Housing: Plastic (UL 94V-0)
- Impeller: Plastic (UL 94V-0)
- Motor: 4 Pole Brushless DC Motor
- Operating Temperature: -10°C ~ +70°C
- Insulation: Class A
- Weight: 450.0g

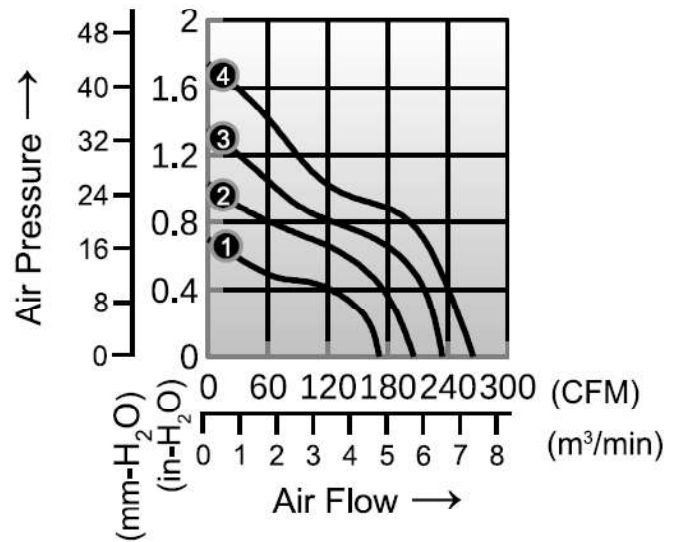
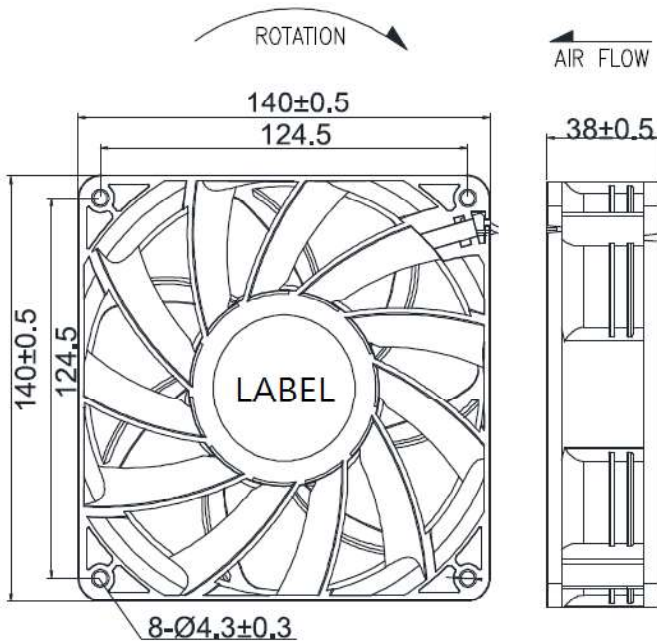


Model Number	Voltage	Current	Power	Speed	Air Flow	Pressure	Noise
	(V)	(A)	(W)	(RPM)	(CFM)	(inH2O)	dB(A)
① AD1238V12BLWGB	12	2.00	24.00	4000	171.4	0.70	60
① AD1238V24BLWGB	24	1.30	31.20	4000	171.4	0.70	60
① AD1238V48BLWGB	48	0.60	28.80	4000	171.4	0.70	60
② AD1238V12BMWGB	12	2.50	30.00	4800	206.3	1.03	65
② AD1238V24BMWGB	24	1.80	43.20	4800	206.3	1.03	65
② AD1238V48BMWGB	48	0.90	43.20	4800	206.3	1.03	65
③ AD1238V12BHWGB	12	3.88	46.56	5500	234.7	1.35	69
③ AD1238V24BHWGB	24	2.50	60.00	5500	234.7	1.35	69
③ AD1238V48BHWGB	48	1.20	57.60	5500	234.7	1.35	69
④ AD1238V24BUWGB	24	2.72	65.28	6200	265.8	1.74	72
④ AD1238V48BUWGB	48	1.30	62.40	6200	265.8	1.74	72

B = Ball Bearing

AD1438GB SERIES

- Size: 140 x 140 x 38mm
- Housing: Plastic (UL 94V-0)
- Impeller: Plastic (UL 94V-0)
- Motor: 4 Pole Brushless DC Motor
- Operating Temperature: -10°C ~ +70°C
- Insulation: Class A
- Weight: 450.0g



Unit:mm

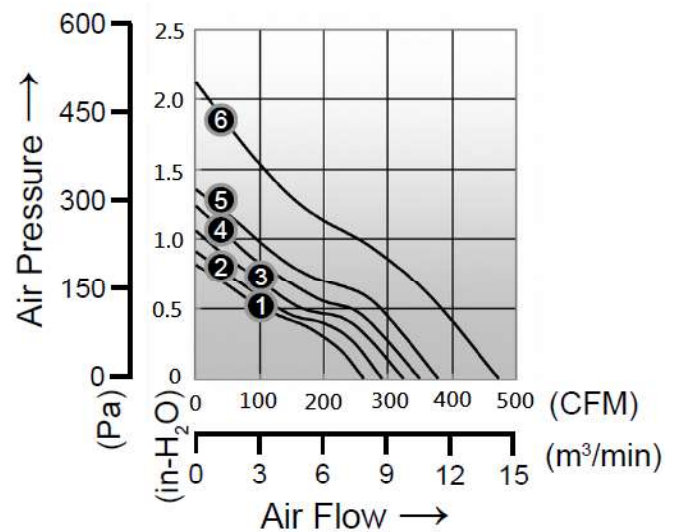
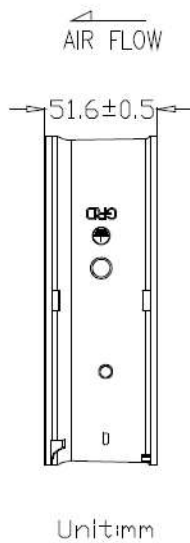
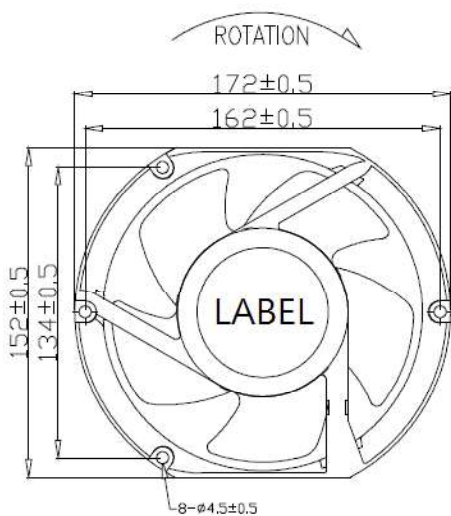
Model Number	Voltage	Current	Power	Speed	Air Flow	Pressure	Noise
	(V)	(A)	(W)	(RPM)	(CFM)	(inH2O)	dB(A)
① AD1438V12BLWGB	12	2.00	24.00	5200	212.0	1.20	60
① AD1438V24BLWGB	24	1.30	31.20	5200	212.0	1.20	60
① AD1438V48BLWGB	48	0.60	28.80	5200	212.0	1.20	60
② AD1438V12BMWGB	12	2.50	30.00	6600	272.0	1.93	65
② AD1438V24BMWGB	24	1.80	43.20	6600	272.0	1.93	65
② AD1438V48BMWGB	48	0.96	46.08	6600	272.0	1.93	65
③ AD1438V12BHWGB	12	3.88	46.56	7600	310.0	2.57	69
③ AD1438V24BHWGB	24	2.50	60.00	7600	310.0	2.57	69
③ AD1438V48BHWGB	48	1.20	57.60	7600	310.0	2.57	69

B = Ball Bearing

AD1751GE SERIES



- Size: 172 x 152 x 51mm
- Housing: Metal Frame
- Impeller: Plastic (UL 94V-0)
- Motor: 4 Pole Brushless DC Motor
- Operating Temperature: -10°C ~ +70°C
- Insulation: Class A
- Weight: 610.0g



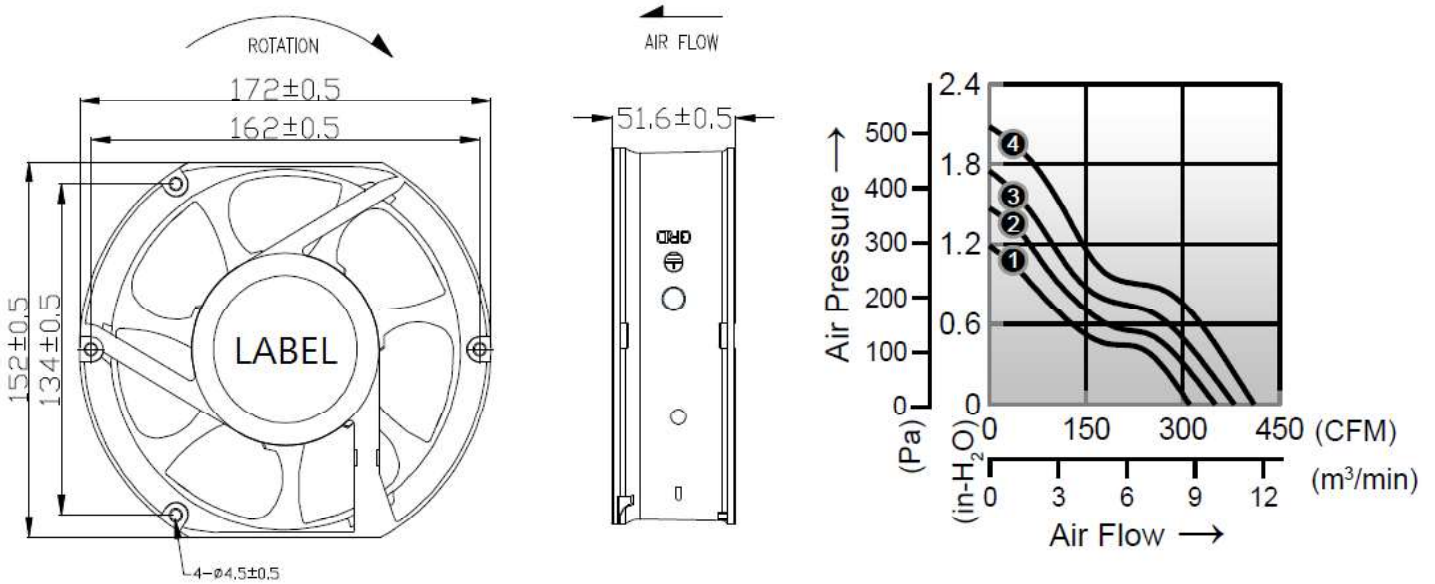
Model Number	Voltage	Current	Power	Speed	Air Flow	Pressure	Noise
	(V)	(A)	(W)	(RPM)	(CFM)	(inH ₂ O)	dB(A)
① AD1751V24BJWGE	24	0.75	18.00	3500	263.0	0.82	57
① AD1751V48BJWGE	48	0.50	24.00	3500	263.0	0.82	57
② AD1751V24BLWGE	24	1.00	24.00	4000	291.0	0.91	62
② AD1751V48BLWGE	48	0.50	24.00	4000	291.0	0.91	62
③ AD1751V24BMWGE	24	1.40	33.60	4400	323.0	1.06	64
③ AD1751V48BMWGE	48	0.70	33.60	4400	323.0	1.06	64
④ AD1751V24BHWGE	24	1.60	38.40	4800	350.0	1.24	66
④ AD1751V48BHWGE	48	0.80	38.40	4800	350.0	1.24	66
⑤ AD1751V24BUWGE	24	2.40	57.60	5200	38.0	1.36	68
⑤ AD1751V48BUWGE	48	1.00	48.00	5200	378.0	1.36	68
⑥ AD1751V48BVWGE	48	2.30	110.40	6500	472.5	2.12	73

B = Ball Bearing

AD1751GF SERIES



- Size: 172 x 152 x 51mm
- Housing: Metal Frame
- Impeller: Plastic (UL 94V-0)
- Motor: 4 Pole Brushless DC Motor
- Operating Temperature: -10°C ~ +70°C
- Insulation: Class A
- Weight: 700.0g

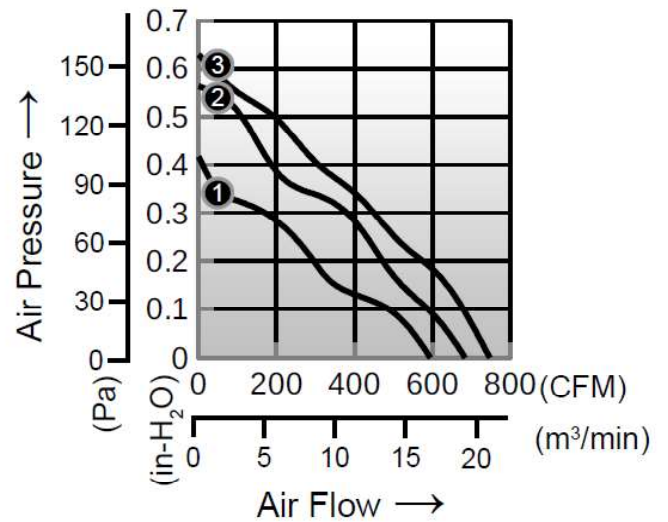
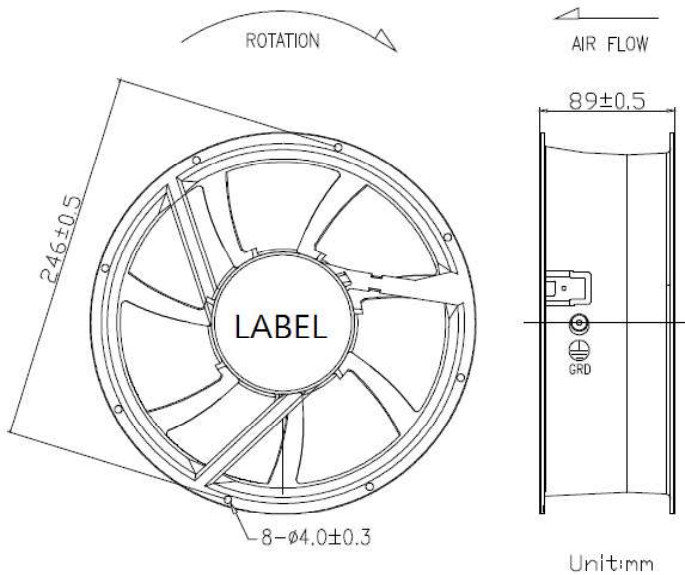


Model Number	Voltage	Current	Power	Speed	Air Flow	Pressure	Noise
	(V)	(A)	(W)	(RPM)	(CFM)	(inH2O)	dB(A)
① AD1751V24BLWGF	24	1.00	24.00	4000	310.6	1.19	60
① AD1751V48BLWGF	48	0.71	34.08	4000	310.6	1.19	60
② AD1751V24BMWGF	24	1.40	33.60	4400	350.5	1.47	62
② AD1751V48BMWGF	48	0.88	42.24	4400	350.5	1.47	62
③ AD1751V24BHWGF	24	1.60	38.40	4800	380.3	1.75	64
③ AD1751V48BHWGF	48	1.22	58.56	4800	380.3	1.75	64
④ AD1751V24BUWGF	24	2.40	57.60	5200	410.5	2.08	67
④ AD1751V48BUWGF	48	1.52	72.96	5200	410.5	2.08	67

B = Ball Bearing

AD25489GE SERIES

- Size: $\varnothing 254 \times 89\text{mm}$
- Housing: Metal Frame
- Impeller: Plastic (UL 94V-0)
- Motor: 4 Pole Brushless DC Motor
- Operating Temperature: $-10^{\circ}\text{C} \sim +70^{\circ}\text{C}$
- Insulation: Class A
- Weight: 1600.0g



Model Number	Voltage	Current	Power	Speed	Air Flow	Pressure	Noise
	(V)	(A)	(W)	(RPM)	(CFM)	(inH ₂ O)	dB(A)
① AD25489V24BLWGE	24	0.80	19.20	1400	595.0	0.49	59
① AD25489V48BLWGE	48	0.63	30.24	1400	595.0	0.49	59
② AD25489V24BMWGE	24	1.30	31.20	1700	684.0	0.56	63
② AD25489V48BMWGE	48	1.00	48.00	1700	684.0	0.56	63
③ AD25489V24BHWGE	24	2.20	52.80	2300	747.0	0.63	71
③ AD25489V48BHWGE	48	1.50	72.00	2300	747.0	0.63	71

B = Ball Bearing