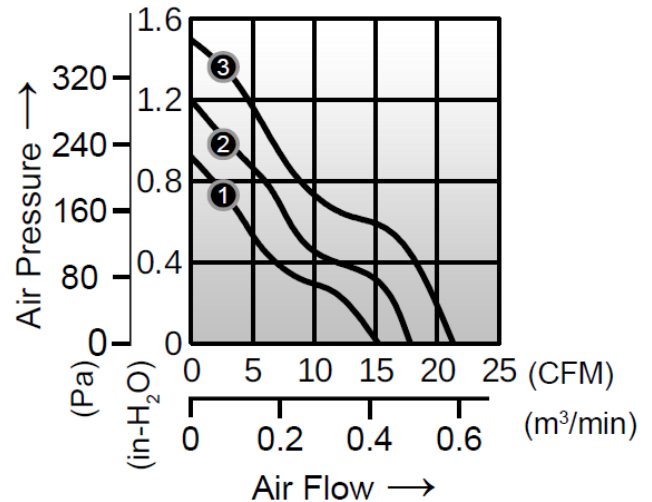
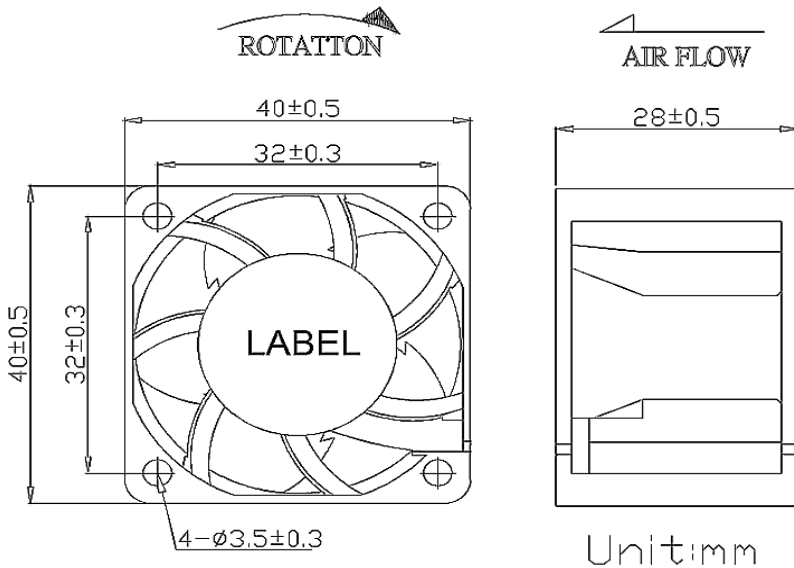


## AD4028GV SERIES

- Size: 40 x 40 x 28mm
- Housing: Plastic (UL 94V-0)
- Impeller: Plastic (UL 94V-0)
- Motor: 4 Pole Brushless DC Motor
- Operating Temperature: -10°C ~ +70°C
- Insulation: Class A
- Weight: 49.0g



Model Number	Voltage	Current	Power	Speed	Air Flow	Pressure	Noise
	(V)	(A)	(W)	(RPM)	(CFM)	(inH2O)	dB(A)
① AD4028V12BHWGV	12	0.30	3.6	13000	15.2	0.92	43
② AD4028V12BUWGV	12	0.40	4.8	15000	17.8	1.20	46
③ AD4028V12BVWGV	12	0.60	7.2	17000	21.3	1.53	50

B = Ball Bearing