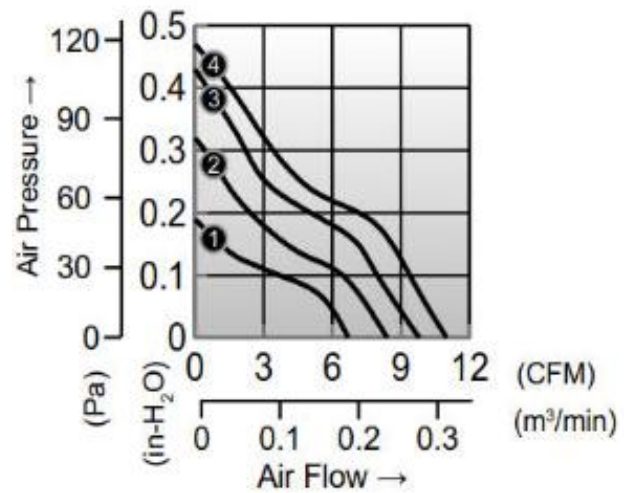
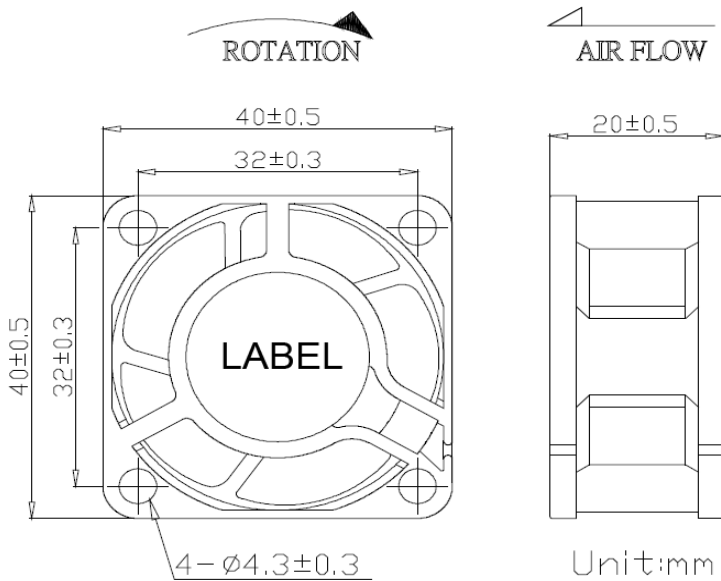


AD4020GE SERIES

- Size: 40 x 40 x 20mm
- Housing: Plastic (UL 94V-0)
- Impeller: Plastic (UL 94V-0)
- Motor: 4 Pole Brushless DC Motor
- Operating Temperature: -10°C ~ +70°C
- Insulation: Class A
- Weight: 27.0g



Model Number	Voltage	Current	Power	Speed	Air Flow	Pressure	Noise
	(V)	(A)	(W)	(RPM)	(CFM)	(inH ₂ O)	dB(A)
① AD4020V12_LWGE	12	0.10	1.20	5000	6.7	0.19	23
① AD4020V24_LWGE	24	0.07	1.68	5000	6.7	0.32	23
② AD4020V12_MWGE	12	0.12	1.44	6500	8.4	0.43	27
② AD4020V24_MWGE	24	0.09	2.16	6500	8.4	0.47	27
③ AD4020V12_HWGE	12	0.16	1.92	8600	9.8	0.19	36
③ AD4020V24_HWGE	24	0.13	3.12	8600	9.8	0.32	36
④ AD4020V12_UWGE	12	0.22	2.64	9500	11.0	0.43	37

_ for B / S = Ball Bearing / Sleeve Bearing