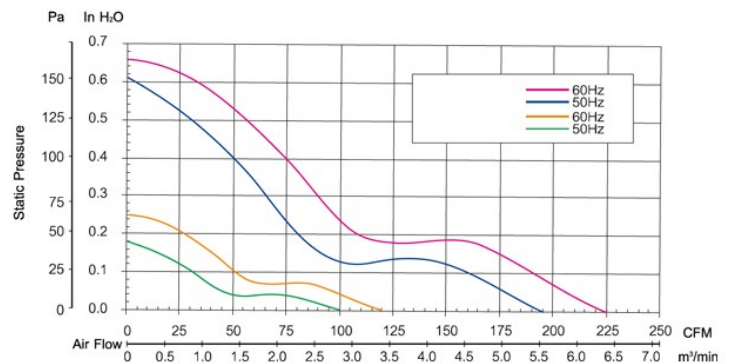
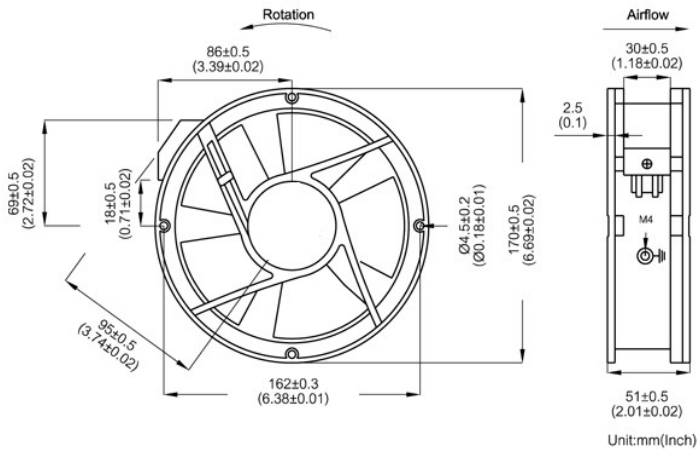


## AA1751R SERIES

- Size: 170 x 51mm
- Housing: Aluminum
- Impeller: Thermoplastic PBT, UL94V-0
- Motor: AC Induction Capacitor Motor
- Operating Temperature: -10°C ~ +70°C
- Insulation: Class A



Model Number	Voltage	Frequency	Current	Power	Speed	Air Flow	Pressure	Noise
	(V)	(Hz)	(A)	(W)	(RPM)	(CFM)	(mmH <sub>2</sub> O)	dB(A)
AA1751RV11BH*	115	50/60	0.22/0.28	25/31	2900/3400	195/225	15.1/15.6	57/61
AA1751RV22BH*	230	50/60	0.11/0.14	24/30	2900/3400	195/225	15.1/15.6	57/61
AA1751RV11BL*	115	50/60	0.15/0.15	17/16	1450/1750	100/121	4.57/6.35	39/44
AA1751RV22BL*	230	50/60	0.06/0.06	14/13	1450/1750	101/120	4.57/6.35	39/44

\* for T/W = Terminals/ Lead Wires