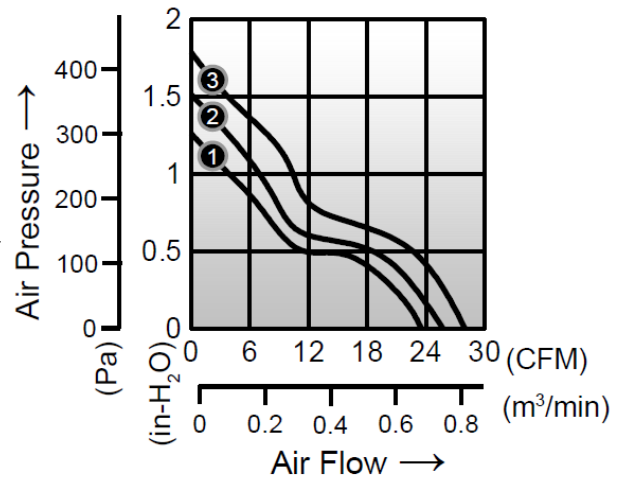
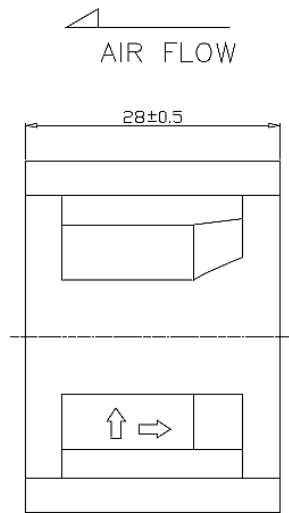
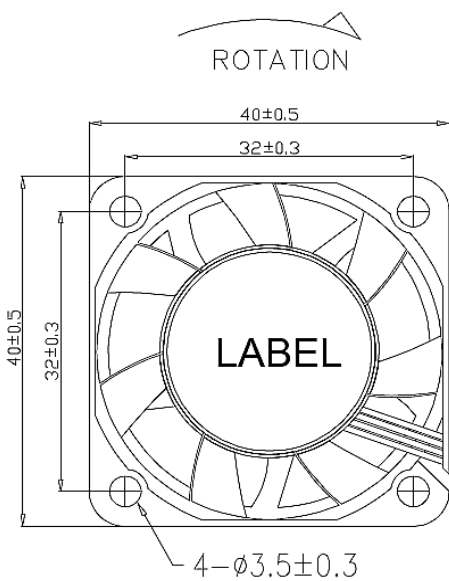


## AD4028GK SERIES

- Size: 40 x 40 x 28mm
- Housing: Plastic (UL 94V-0)
- Impeller: Plastic (UL 94V-0)
- Motor: 4 Pole Brushless DC Motor
- Operating Temperature: -10°C ~ +70°C
- Insulation: Class A
- Weight: 50.0g



Model Number	Voltage	Current	Power	Speed	Air Flow	Pressure	Noise
	(V)	(A)	(W)	(RPM)	(CFM)	(inH2O)	dB(A)
① AD4028V12BUWGK	12	0.75	9.0	21000	23.52	1.26	60
② AD4028V12BVWGK	12	0.90	10.8	23000	25.76	1.51	62
③ AD4028V12BWWGK	12	1.00	12.0	25000	28.00	1.79	65

B = Ball Bearing