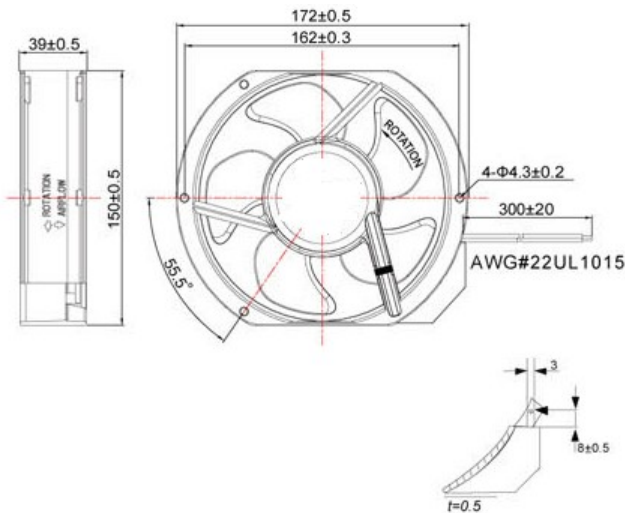
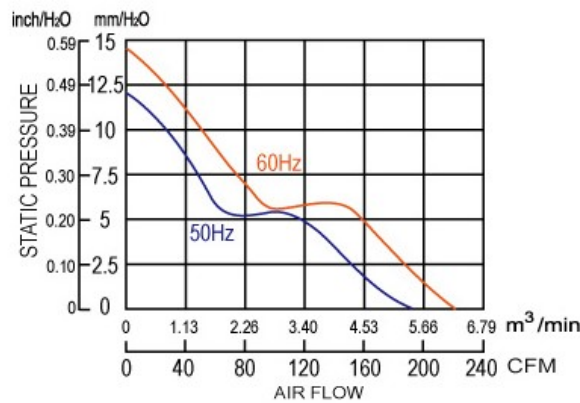
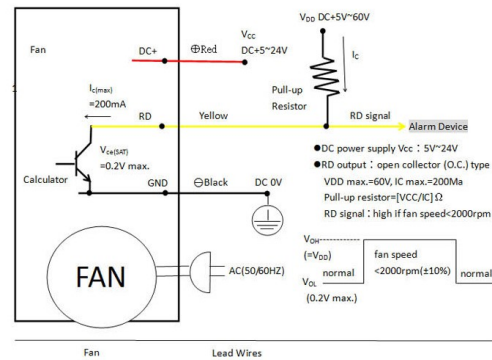


## AA1738ZS SERIES (WITH RD/FG FUNCTION)

- Size: 172 x 150 x 38mm
- Housing: Aluminum
- Impeller: Thermoplastic PBT, UL94V-0
- Motor: AC Induction Capacitor Motor
- Operating Temperature: -20°C ~ +70°C
- Operating Voltage: 103 VAC to 126 VAC for 115V  
207 VAC to 253 VAC for 230V
- Insulation: Class A



RD/FG Sensor connection (optional)



Model Number	Voltage	Frequency	Current	Power	Speed	Air Flow	Pressure	Noise
	(V)	(Hz)	(A)	(W)	(RPM)	(CFM)	(mmH <sub>2</sub> O)	dB(A)
AA1738V11BH*ZS	115	50/60	0.23/0.22	25/24	2700/3200	210/240	13.5/14.5	52/57
AA1738V22BH*ZS	230	50/60	0.11/0.11	25/24	2700/3200	210/240	13.5/14.5	52/57

\* for T/W = Terminals/ Lead Wires