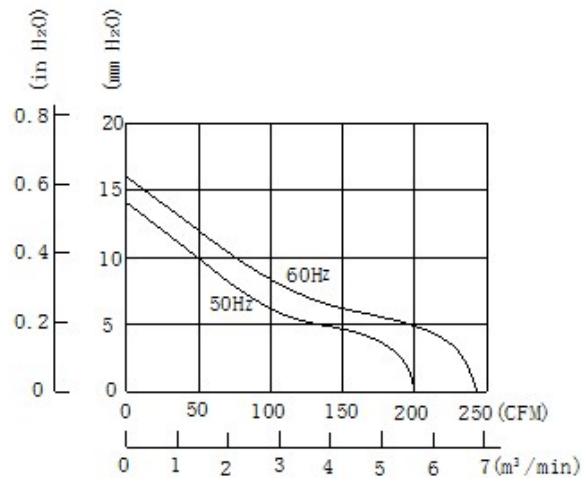
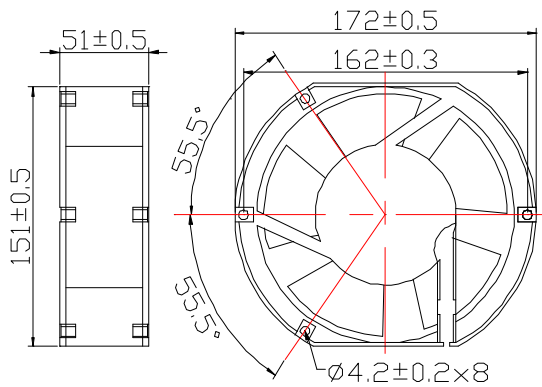


AA17251YY5 SERIES

- Size: 172 x 162 x 51mm
- Housing: Aluminum
- Impeller: Aluminum
- Motor: AC Shaded Pole Type
- Operating Temperature: -30°C ~ +70°C
- Insulation: Class B



Model Number	Voltage	Frequency	Current	Power	Speed	Air Flow	Pressure	Noise
	(V)	(Hz)	(A)	(W)	(RPM)	(CFM)	(mmH ₂ O)	(dB(A))
AA17251V11_N*YY5	115	50/60	0.22/0.23	25/27	2800/3200	203/239	17.1/18.8	51/58
AA17251V11_H*YY5	115	50/60	0.50/0.45	37/36	2700/3100	190/235	16.0/17.7	45/50
AA17251V11_M*YY5	115	50/60	0.41/0.39	32/30	2400/2300	170/160	15.0/14.0	41/40
AA17251V11_L*YY5	115	50/60	0.35/0.35	26/25	1900/1500	125/105	8.0/6.0	32/30
AA17251V22_N*YY5	220	50/60	0.11/0.11	25/26	2800/3200	203/239	17.1/18.8	51/58
AA17251V22_H*YY5	220	50/60	0.22/0.21	34/33	2700/3100	190/235	16.0/17.7	45/50
AA17251V22_M*YY5	220	50/60	0.19/0.18	30/28	2400/2300	170/160	15.0/14.0	41/40
AA17251V22_L*YY5	220	50/60	0.16/0.16	26/25	1900/1500	125/105	8.0/6.0	32/30
AA17251V38_N*YY5	380	50	0.06	20	2800	203	17.1	51
AA17251V38_H*YY5	380	50	0.11	34	2700	190	16.0	45
AA17251V38_M*YY5	380	50	0.09	30	2400	170	15.0	41
AA17251V38_L*YY5	380	50	0.07	26	1900	125	8.0	32

_ for B / S = Ball Bearing / Sleeve Bearing,

* for T/W = Terminals/ Lead Wires