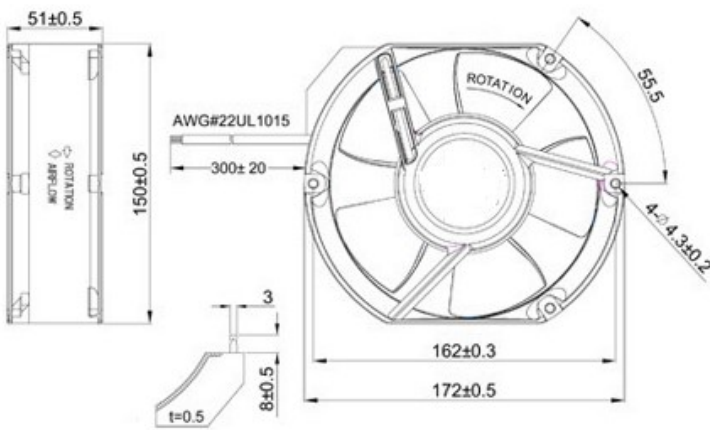
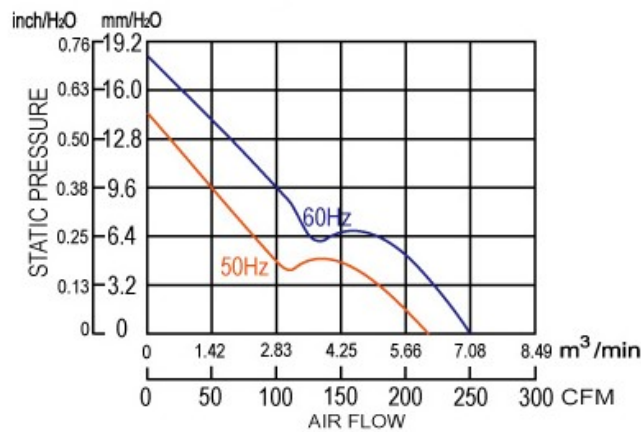
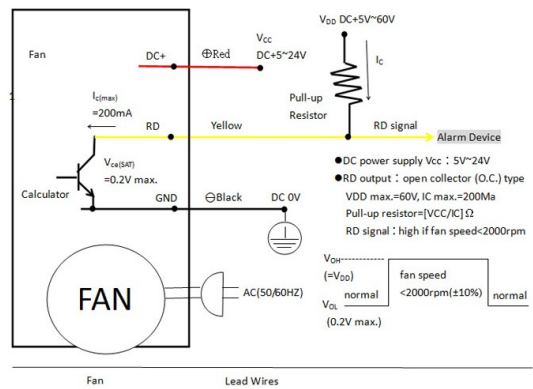


AA17251ZS SERIES (WITH RD/FG FUNCTION)

- Size: 172 x 150 x 51mm
- Housing: Aluminum
- Impeller: Thermoplastic PBT, UL94V-0
- Motor: AC Induction Capacitor Motor
- Operating Temperature: -20°C ~ +70°C
- Operating Voltage: 85VAC to 125 VAC for 115V Type
185 VAC to 245 VAC for 230V Type
- Insulation: Class A



RD/FG Sensor connection (optional)



Model Number	Voltage	Frequency	Current	Power	Speed	Air Flow	Pressure	Noise
	(V)	(Hz)	(A)	(W)	(RPM)	(CFM)	(mmH2O)	(dB(A))
AA17251V11BH*ZS	115	50/60	0.23/0.22/	26/24	2750/3250	215/250	14.5/18.5	53/58
AA17251V22BH*ZS	230	50/60	0.12/0.11	26/24	2750/3250	215/250	14.5/18.5	53/58

* for T/W = Terminals/ Lead Wires