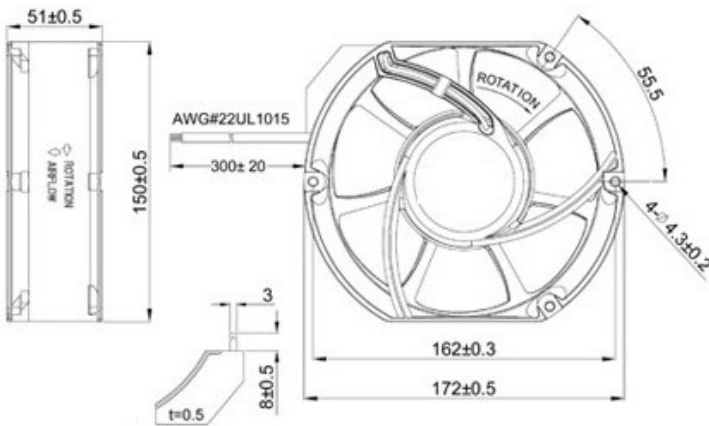
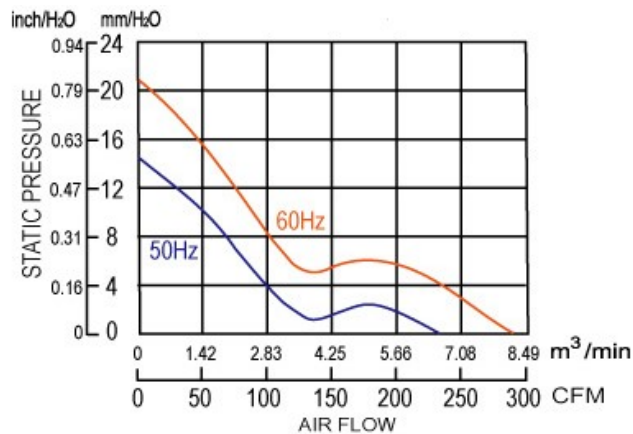
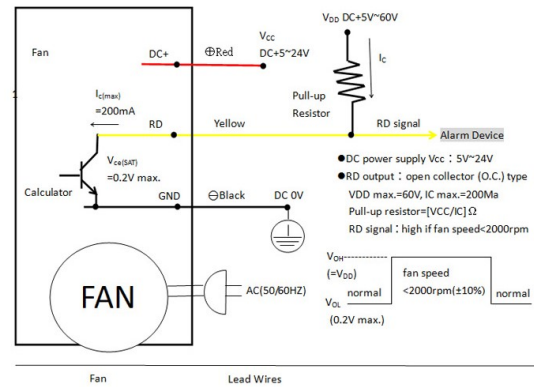


AA17251ZS7 SERIES (WITH RD/FG FUNCTION)

- Size: 172 x 150 x 51mm
- Housing: Aluminum
- Impeller: Thermoplastic PBT, UL94V-0
- Motor: AC Induction Capacitor Motor
- Operating Temperature: -20°C ~ +70°C
- Operating Voltage: 103 VAC to 126 VAC for 115V
207 VAC to 253 VAC for 230V
- Insulation: Class A



RD/FG Sensor connection (optional)



Model Number	Voltage	Frequency	Current	Power	Speed	Air Flow	Pressure	Noise
	(V)	(Hz)	(A)	(W)	(RPM)	(CFM)	(mmH ₂ O)	(dB(A))
AA17251V11BH*ZS7	115	50/60	0.28/0.29	32/33	2750/3250	245/290	16.5/21	54/59
AA17251V22BH*ZS7	230	50/60	0.15/0.16	32/33	2750/3250	245/290	16.5/21	54/59

* for T/W = Terminals/ Lead Wires