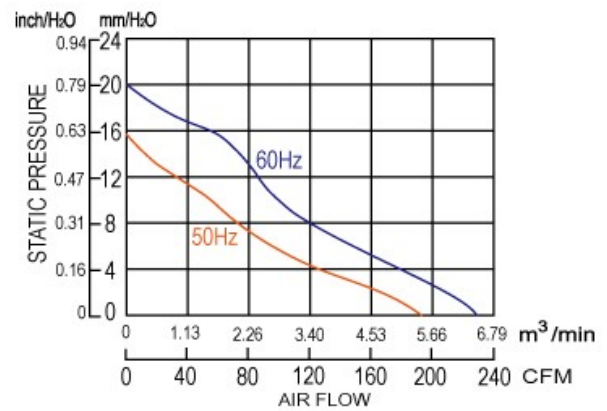
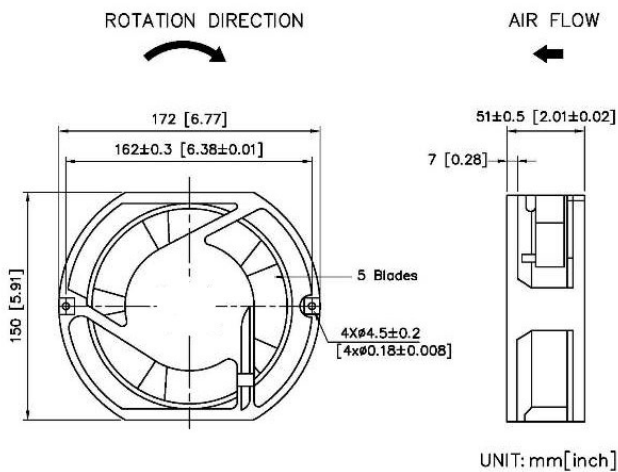


AA172513C SERIES

- Size: 172 x 151 x 51mm
- Housing: Aluminum
- Impeller: Thermoplastic PBT, UL94V-0
- Motor: AC Induction Capacitor Motor
- Operating Temperature: -20°C ~ +70°C
- Insulation: Class A



Model Number	Voltage	Frequency	Current	Power	Speed	Air Flow	Pressure	Noise
	(V)	(Hz)	(A)	(W)	(RPM)	(CFM)	(mmH ₂ O)	(dB(A))
AA17251V11BH*3C	110/120	50/60	0.50/0.45	38/35	2800/3100	190/235	15.9/20.0	50/45
AA17251V22BH*3C	220/240	50/60	0.23/0.21	32/31	2800/3100	190/233	15.9/20.0	50/45

* for T/W = Terminals/ Lead Wires