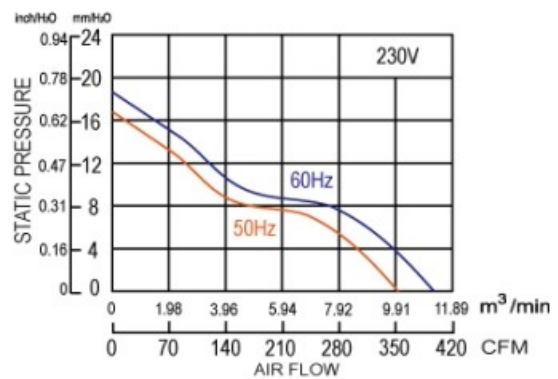
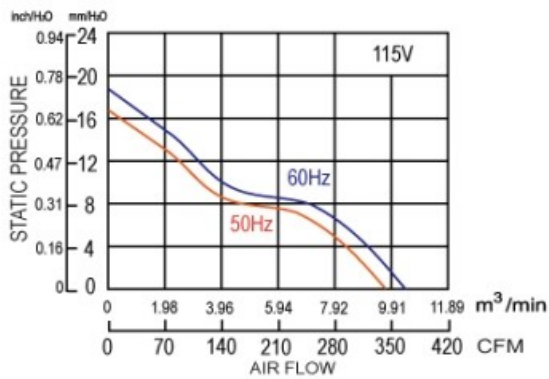
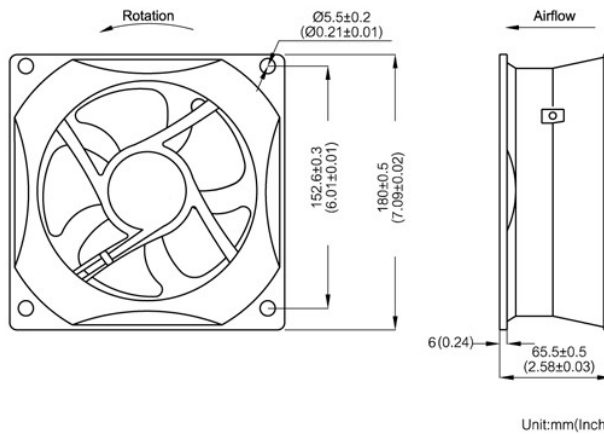


AA1865 SERIES

- Size: 180 x 180 x 65mm
- Housing: Aluminum
- Impeller: Thermoplastic PBT, UL94V-0
- Motor: AC Induction Capacitor Motor
- Operating Temperature: -20°C ~ +70°C
- Insulation: Class A



Model Number	Voltage	Frequency	Current	Power	Speed	Air Flow	Pressure	Noise
	(V)	(Hz)	(A)	(W)	(RPM)	(CFM)	(mmH2O)	dB(A)
AA1865V11BH*	115	50/60	0.49/0.66	56/74	2800/3150	342/365	16.9/18.8	58/61
AA1865V22BH*	230	50/60	0.26/0.33	58/76	2900/3300	352/394	16.9/18.8	58/61

* for T/W = Terminals/ Lead Wires