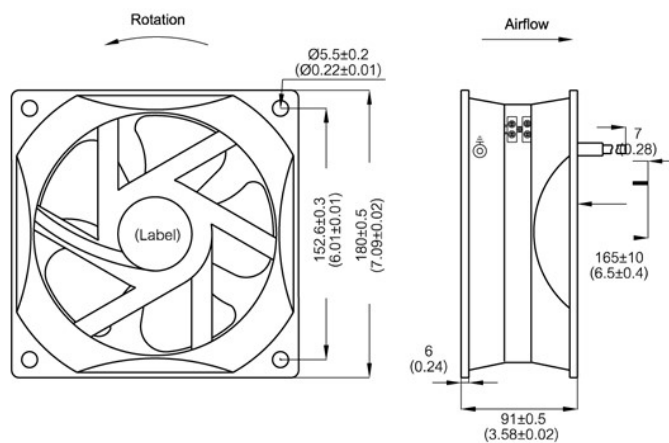
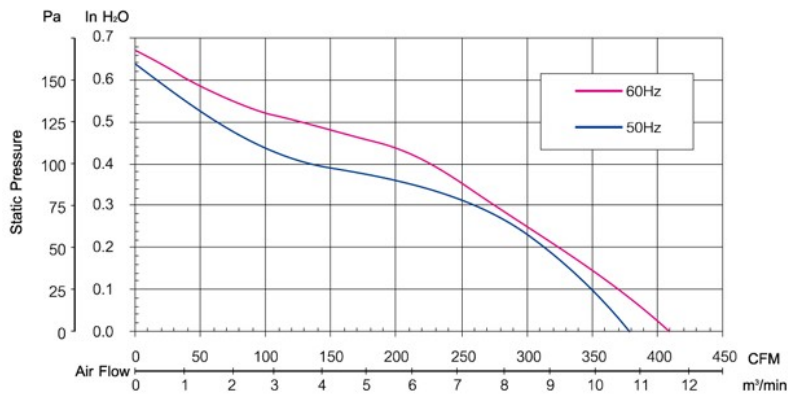


## AA1890 SERIES

- Size: 180 x 180 x 65mm
- Housing: Aluminum
- Impeller: Thermoplastic PBT, UL94V-0
- Motor: AC Induction Capacitor Motor
- Operating Temperature: -20°C ~ +70°C
- Insulation: Class A



Unit:mm(Inch)



Model Number	Voltage	Frequency	Current	Power	Speed	Air Flow	Pressure	Noise
	(V)	(Hz)	(A)	(W)	(RPM)	(CFM)	(mmH <sub>2</sub> O)	dB(A)
AA1890V11BH*	115	50/60	0.47/0.66	57/77	2800/3000	376/409	16.26/17.01	58/61
AA1890V22BH*	230	50/60	0.25/0.33	58/76	2800/3200	378/434	20.06/18.54	58/62

\* for T/W = Terminals/ Lead Wires