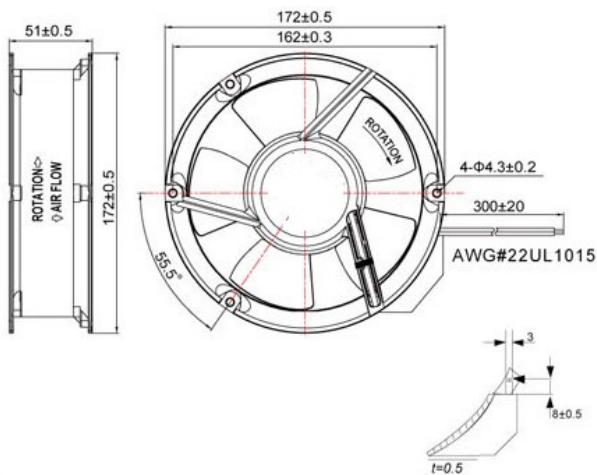
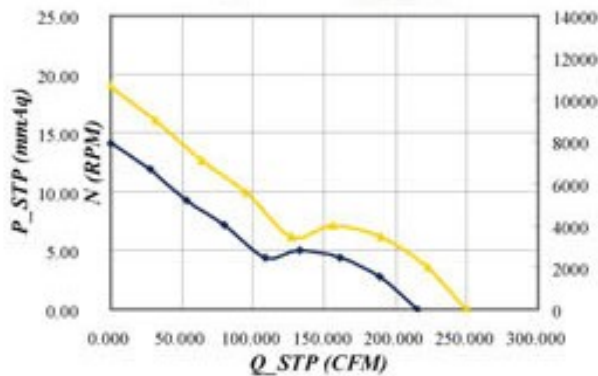
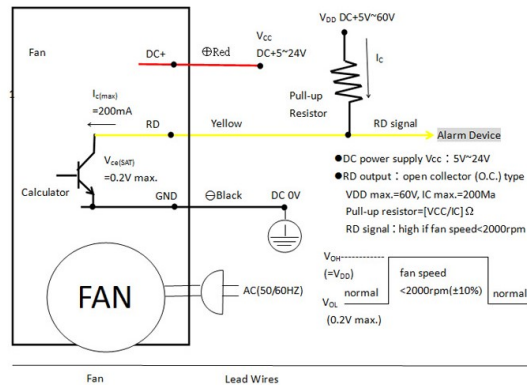


AA17251RZS SERIES (WITH RD/FG FUNCTION)

- Size: $\Phi 172 \times 51\text{mm}$
- Housing: Aluminum
- Impeller: Thermoplastic PBT, UL94V-0
- Motor: AC Induction Capacitor Motor
- Operating Temperature: $-20^{\circ}\text{C} \sim +70^{\circ}\text{C}$
- Insulation: Class A



RD/FG Sensor connection (optional)



Model Number	Voltage	Frequency	Current	Power	Speed	Air Flow	Pressure	Noise
	(V)	(Hz)	(A)	(W)	(RPM)	(CFM)	(mmH ₂ O)	dB(A)
AA17251RZS*	115	50/60	0.23/0.22	26/25	2750/3250	215/250	14.5/18.5	53/58
AA17251RZS*	230	50/60	0.12/0.11	26/25	2750/3250	215/250	14.5/18.5	53/58

* for T/W = Terminals/ Lead Wires