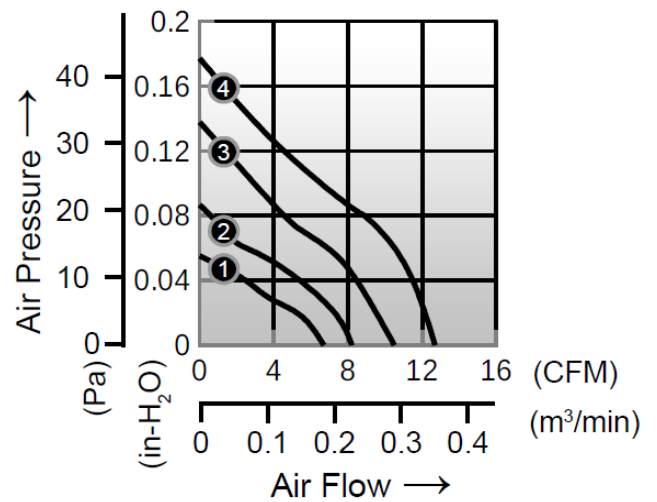
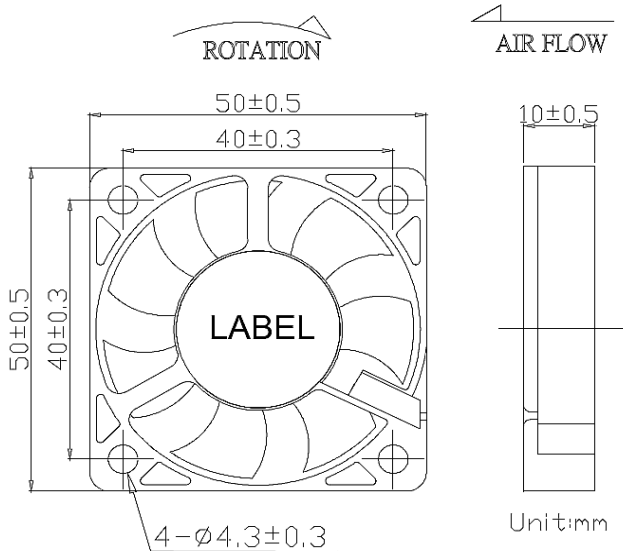


AD5010GE SERIES

- Size: 50 x 50 x 10mm
- Housing: Plastic (UL 94V-0)
- Impeller: Plastic (UL 94V-0)
- Motor: 4 Pole Brushless DC Motor
- Operating Temperature: -10°C ~ +70°C
- Insulation: Class A
- Weight: 32.0g



Model Number	Voltage	Current	Power	Speed	Air Flow	Pressure	Noise
	(V)	(A)	(W)	(RPM)	(CFM)	(inH2O)	dB(A)
① AD5010V05_JWGE	12	0.08	0.96	3500	6.7	0.05	18
① AD5010V12_JWGE	12	0.05	0.60	3500	6.7	0.05	18
① AD5010V24_JWGE	12	0.06	0.72	3500	6.7	0.05	18
② AD5010V05_LWGE	12	0.12	1.44	4500	8.2	0.09	25
② AD5010V12_LWGE	24	0.07	1.68	4500	8.2	0.09	25
② AD5010V24_LWGE	24	0.07	1.68	4500	8.2	0.09	25
③ AD5010V05_MWGE	12	0.16	1.92	5500	10.5	0.14	30
③ AD5010V12_MWGE	12	0.08	0.96	5500	10.5	0.14	30
③ AD5010V24_MWGE	12	0.08	0.96	5500	10.5	0.14	30
④ AD5010V05_HWGE	24	0.20	4.80	6500	12.7	0.18	35
④ AD5010V12_HWGE	24	0.10	2.40	6500	12.7	0.18	35
④ AD5010V24_HWGE	24	0.09	2.16	6500	12.7	0.18	35

_ for B / F = Ball Bearing / Fluid Bearing