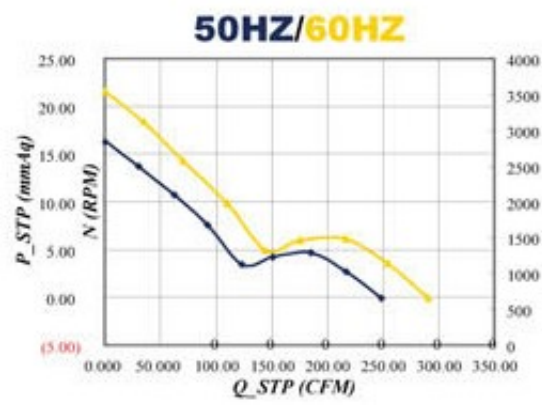
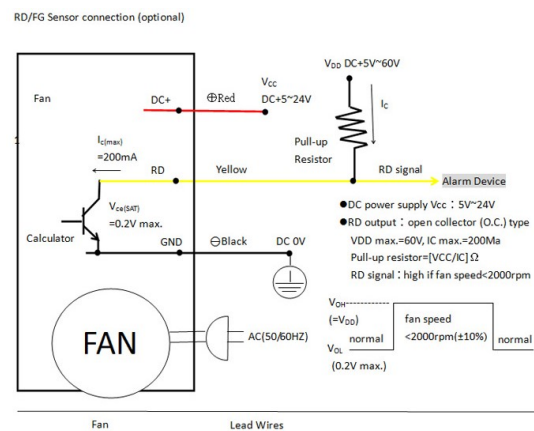
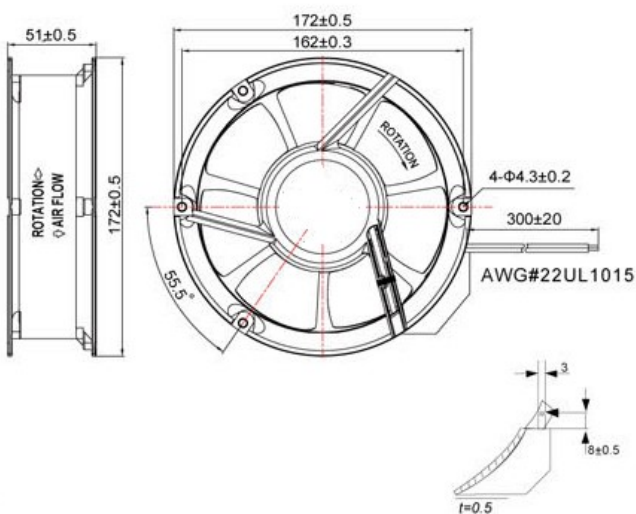


## AA17251RZS7 SERIES (WITH RD/FG FUNCTION)

- Size:  $\Phi 172 \times 51\text{mm}$
- Housing: Aluminum
- Impeller: Thermoplastic PBT, UL94V-0
- Motor: AC Induction Capacitor Motor
- Operating Temperature:  $-20^{\circ}\text{C} \sim +70^{\circ}\text{C}$
- Insulation: Class A



Model Number	Voltage	Frequency	Current	Power	Speed	Air Flow	Pressure	Noise
	(V)	(Hz)	(A)	(W)	(RPM)	(CFM)	(mmH <sub>2</sub> O)	(dB(A))
AA17251RZS7*	115	50/60	0.28/0.29	32/33	2750/3250	245/290	16.5/21	54/59
AA17251RZS7*	230	50/60	0.15/0.16	32/33	2750/3250	245/290	16.5/21	54/59

\* for T/W = Terminals/ Lead Wires