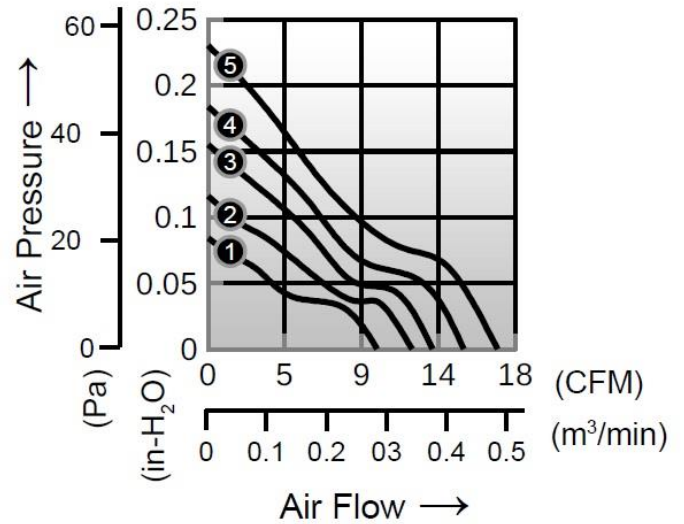
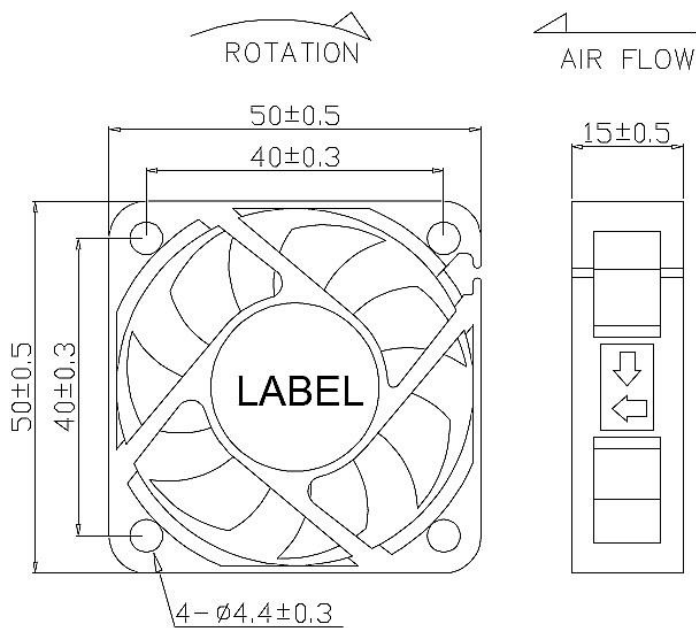


## AD5015GC SERIES

- Size: 50 x 50 x 15mm
- Housing: Plastic (UL 94V-0)
- Impeller: Plastic (UL 94V-0)
- Motor: 4 Pole Brushless DC Motor
- Operating Temperature: -10°C ~ +70°C
- Insulation: Class A
- Weight: 38.0g



Model Number	Voltage	Current	Power	Speed	Air Flow	Pressure	Noise
	(V)	(A)	(W)	(RPM)	(CFM)	(inH2O)	dB(A)
① AD5015V12_JWGC	12	0.06	0.72	3600	9.9	0.08	24
① AD5015V24_JWGC	24	0.04	0.96	3600	9.9	0.08	24
② AD5015V12_LWGC	12	0.07	0.84	4200	12.2	0.12	27
② AD5015V24_LWGC	24	0.05	1.20	4200	12.2	0.12	27
③ AD5015V12_MWGC	12	0.09	1.08	4800	13.2	0.16	30
③ AD5015V24_MWGC	24	0.06	1.44	4800	13.2	0.16	30
④ AD5015V12_HWGC	12	0.11	1.32	5400	15.0	0.18	32
④ AD5015V24_HWGC	24	0.07	1.68	5400	15.0	0.18	32
⑤ AD5015V12_UWGC	12	0.13	1.56	6000	17.0	0.23	36
⑤ AD5015V24_UWGC	24	0.08	1.92	6000	17.0	0.23	35

\_ for B / F = Ball Bearing / Fluid Bearing