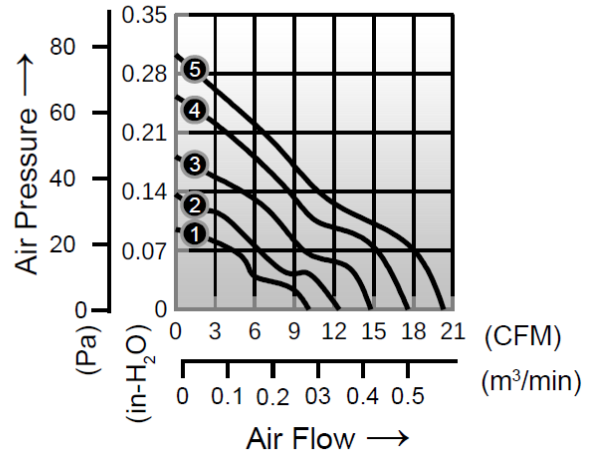
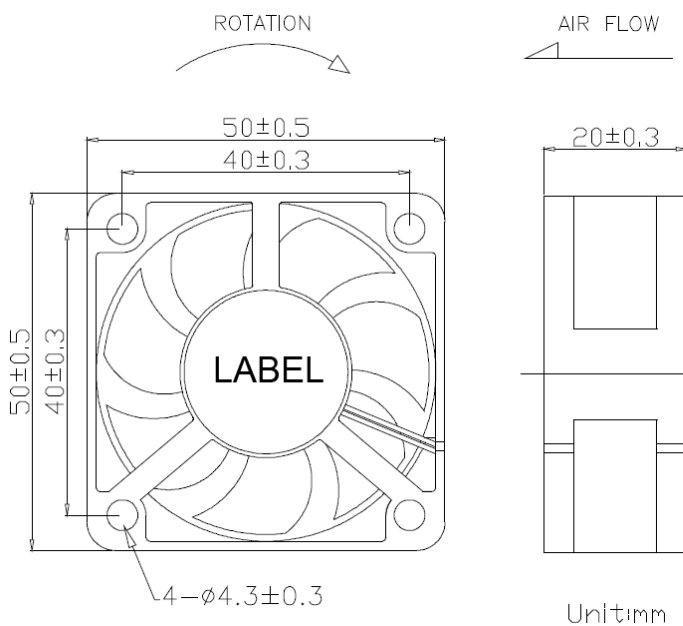
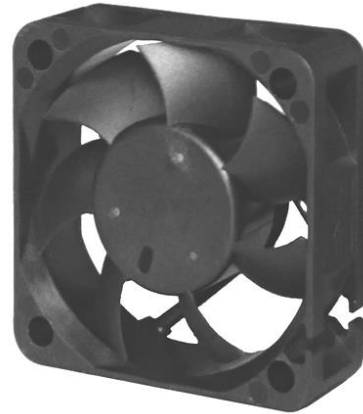


## AD5020GE SERIES

- Size: 50 x 50 x 20mm
- Housing: Plastic (UL 94V-0)
- Impeller: Plastic (UL 94V-0)
- Motor: 4 Pole Brushless DC Motor
- Operating Temperature: -10°C ~ +70°C
- Insulation: Class A
- Weight: 40.0g



Model Number	Voltage	Current	Power	Speed	Air Flow	Pressure	Noise
	(V)	(A)	(W)	(RPM)	(CFM)	(inH <sub>2</sub> O)	dB(A)
① AD5020V12_IWGE	12	0.10	1.20	4000	10.1	0.10	24
① AD5020V24_IWGE	24	0.07	1.68	4000	10.1	0.10	24
② AD5020V12_JWGE	12	0.13	1.56	4800	12.7	0.14	28
② AD5020V24_JWGE	24	0.08	1.92	4800	12.7	0.14	28
③ AD5020V12_LWGE	12	0.15	1.80	5600	14.8	0.18	32
③ AD5020V24_LWGE	24	0.10	2.4	5600	14.8	0.18	32
④ AD5020V12_MWGE	12	0.21	2.52	6400	17.6	0.25	36
④ AD5020V24_MWGE	24	0.12	2.88	6400	17.6	0.25	36
⑤ AD5020V12_HWGE	12	0.21	2.52	7000	20.3	0.30	38
⑤ AD5020V24_HWGE	24	0.12	2.88	7000	20.3	0.30	38

\_ for B / S = Ball Bearing / Sleeve Bearing