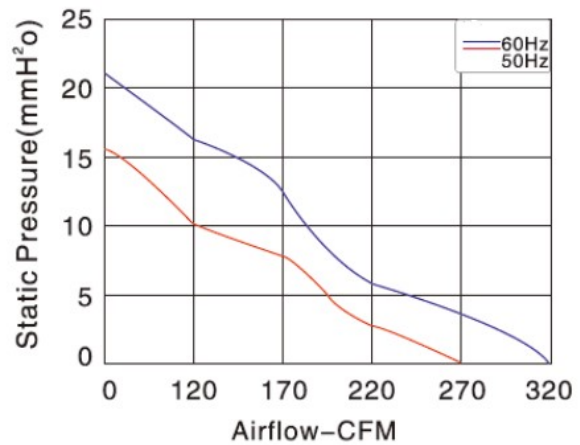
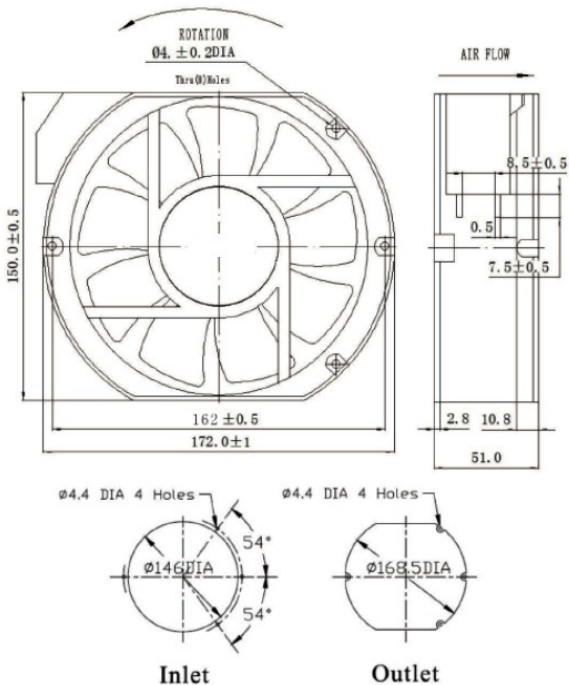


AA172519L SERIES

- Size: 172 x 150 x 51mm
- Housing: Aluminum
- Impeller: Thermoplastic PBT, UL94V-0
- Motor: AC Induction Capacitor Motor
- Operating Temperature: -10°C ~ +65°C
- Insulation: Class A



Model Number	Voltage	Frequency	Current	Power	Speed	Air Flow	Noise
	(V)	(Hz)	(A)	(W)	(RPM)	(CFM)	dB(A)
AA17251V11BH*9L	100/125	50/60	0.45	53	2850/3350	270/325	46/56
AA17251V22BH*9L	200/240	50/60	0.15/0.22	53	2850/3350	270/325	46/56
AA17251V38BH*9L	380/240	50/60	0.12	53	2850/3350	270/325	46/56

* for T/W = Terminals/ Lead Wires