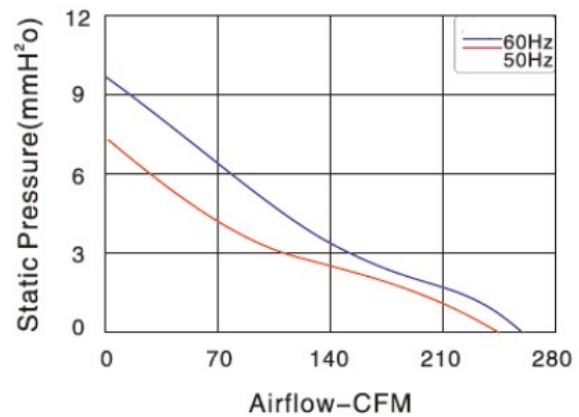
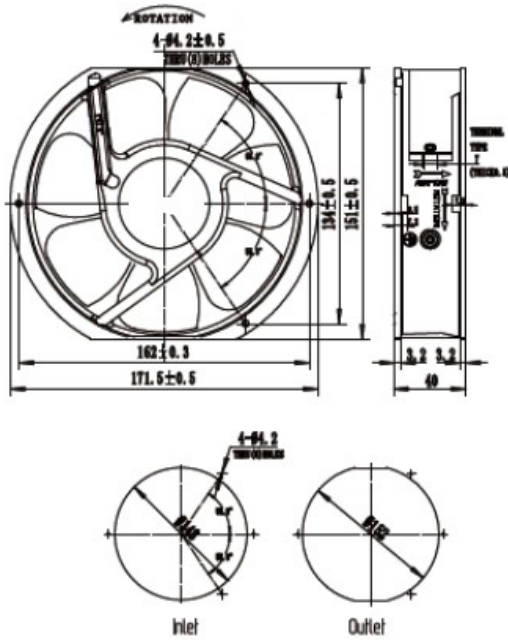


## AA1740M9L SERIES

- Size: 172 x 150 x 38mm
- Housing: Aluminum
- Impeller: Metal
- Motor: AC Induction Capacitor With External Motor
- Operating Temperature: -10°C ~ +105°C
- Insulation: Class B



Model Number	Voltage	Frequency	Current	Power	Speed	Air Flow	Noise
	(V)	(Hz)	(A)	(W)	(RPM)	(CFM)	dB(A)
AA1740V11MBH*9L	100/125	50/60	0.25/0.25	32	2500/2900	214/250	56/59
AA1740V22MBH*9L	200/240	50/60	0.14/0.14	32	2500/2900	214/250	56/29

\* for T/W = Terminals/ Lead Wires