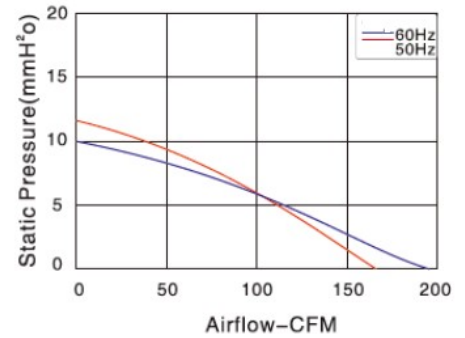
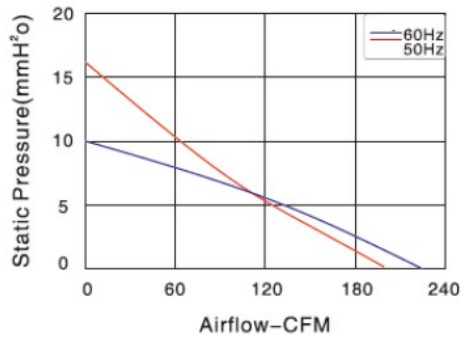
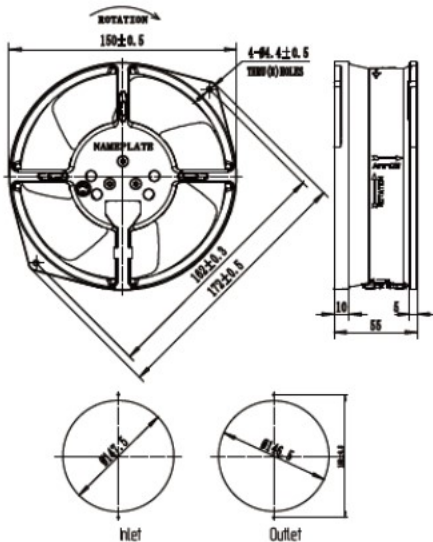


AA1755M9L SERIES

- Size: 170 x 150 x 55mm
- Housing: Aluminum
- Impeller: Metal
- Motor: AC Shaded Pole With External Motor
- Operating Temperature: -10°C ~ +105°C
- Insulation: Class B



Model Number	Voltage	Frequency	Current	Power	Speed	Air Flow	Noise
	(V)	(Hz)	(A)	(W)	(RPM)	(CFM)	dB(A)
AA1755V11MBH*9L	100/125	50/60	0.58/0.5	42/39	2800/3100	191/224	48/52
AA1755V22MBH*9L	200/240	50/60	0.25/0.2	35/31	2800/3100	191/224	48/52
AA1755V11MBM*9L	100/125	50/60	0.4/0.35	45/48	2400/2800	170/191	45/48
AA1755V22MBM*9L	200/240	50/60	0.2/0.18	28/25	2400/2800	170/191	45/48

* for T/W = Terminals/ Lead Wires