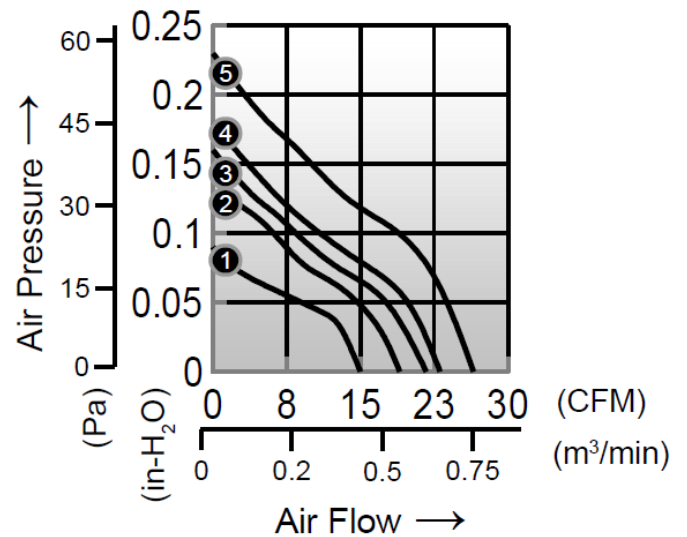
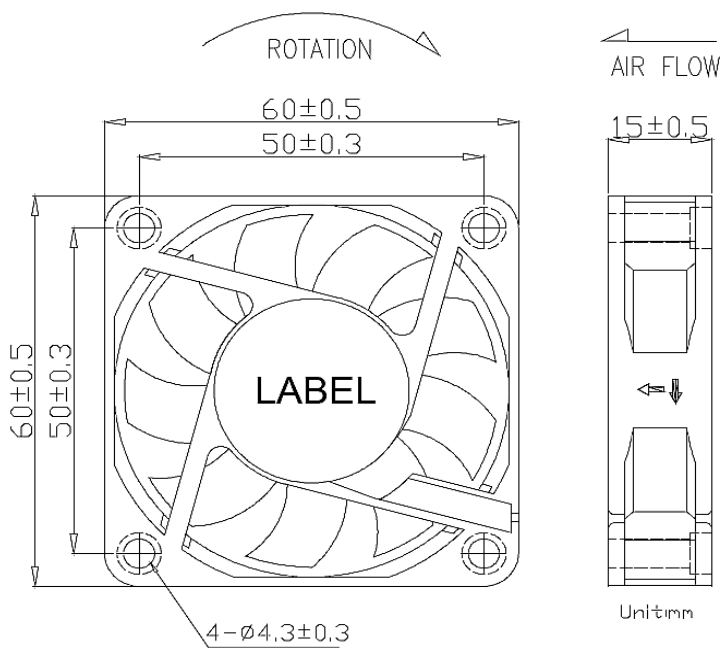


## AD6015GE SERIES

- Size: 60 x 60 x 15mm
- Housing: Plastic (UL 94V-0)
- Impeller: Plastic (UL 94V-0)
- Motor: 4 Pole Brushless DC Motor
- Operating Temperature: -10°C ~ +70°C
- Insulation: Class A
- Weight: 44.0g



Model Number	Voltage	Current	Power	Speed	Air Flow	Pressure	Noise
	(V)	(A)	(W)	(RPM)	(CFM)	(inH2O)	dB(A)
① AD6015V12_JWGE	12	0.06	0.72	3000	15.0	0.09	24
② AD6015V12_LWGE	12	0.08	0.96	3500	19.0	0.14	29
② AD6015V24_LWGE	24	0.08	1.92	3500	19.0	0.14	29
③ AD6015V12_MWGE	12	0.10	1.20	4000	21.7	0.16	32
③ AD6015V24_MWGE	24	0.07	1.68	4000	21.7	0.16	32
④ AD6015V12_HWGE	12	0.12	1.44	4500	23.1	0.18	35
④ AD6015V24_HWGE	24	0.08	1.92	4500	23.1	0.18	35
⑤ AD6015V12_UWGE	12	0.17	2.04	5000	26.5	0.23	37
⑤ AD6015V24_UWGE	24	0.11	2.64	5000	26.5	0.23	37

\_ for B / F = Ball Bearing / Fluid Bearing