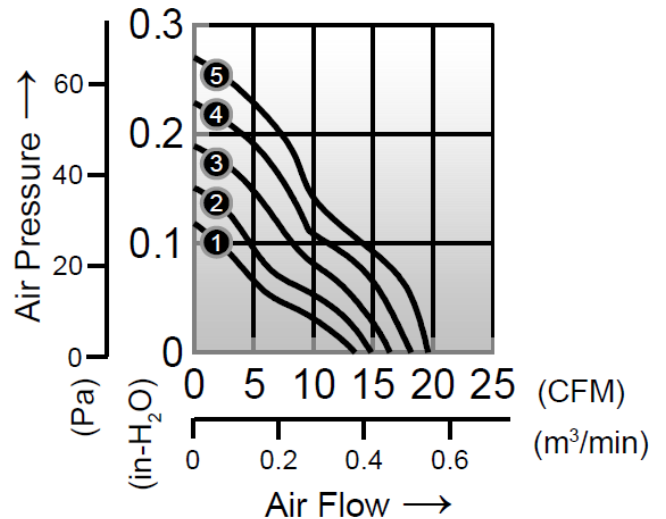
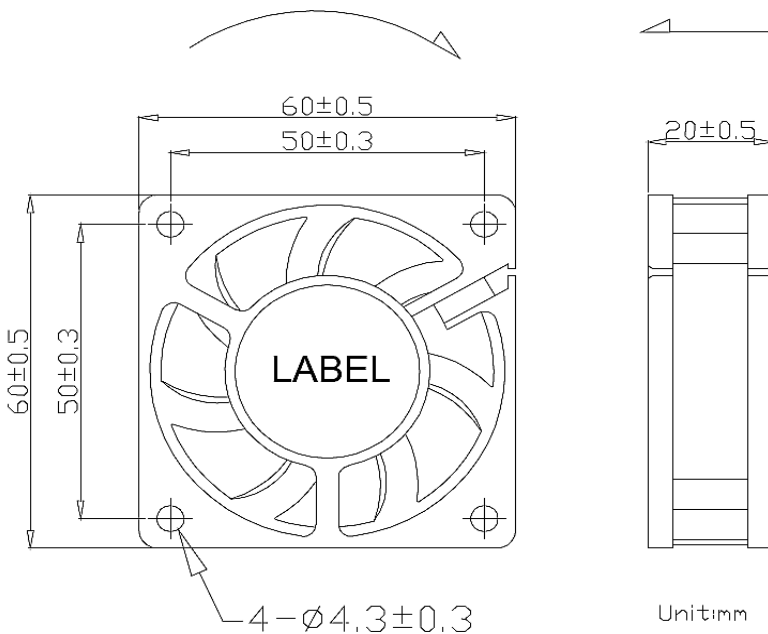
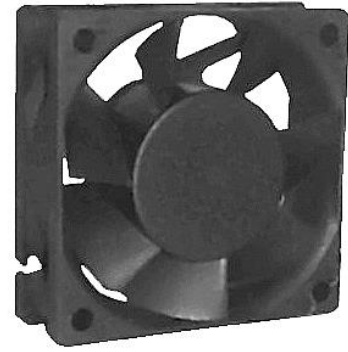


AD6020GE SERIES

- Size: 60 x 60 x 20mm
- Housing: Plastic (UL 94V-0)
- Impeller: Plastic (UL 94V-0)
- Motor: 4 Pole Brushless DC Motor
- Operating Temperature: -10°C ~ +70°C
- Insulation: Class A
- Weight: 50.0g



Model Number	Voltage	Current	Power	Speed	Air Flow	Pressure	Noise
	(V)	(A)	(W)	(RPM)	(CFM)	(inH2O)	dB(A)
① AD6020V12_JWGE	12	0.07	0.84	3200	13.5	0.12	24
② AD6020V12_LWGE	12	0.09	1.08	3600	14.8	0.15	26
③ AD6020V12_MWGE	12	0.11	1.32	4000	16.4	0.19	29
④ AD6020V12_HWGE	12	0.13	1.56	4400	18.1	0.23	31
⑤ AD6020V12_UWGE	12	0.17	2.04	4800	19.6	0.27	33

_ for B / S = Ball Bearing / Sleeve Bearing