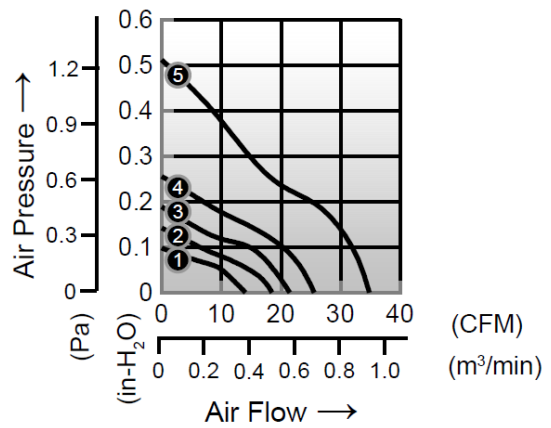
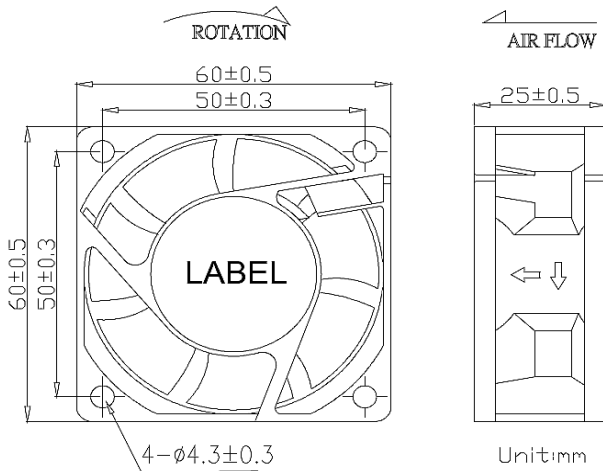


AD6025GE SERIES

- Size: 60 x 60 x 25mm
- Housing: Plastic (UL 94V-0)
- Impeller: Plastic (UL 94V-0)
- Motor: 4 Pole Brushless DC Motor
- Operating Temperature: -10°C ~ +70°C
- Insulation: Class A
- Weight: 57.0g



Model Number	Voltage	Current	Power	Speed	Air Flow	Pressure	Noise
	(V)	(A)	(W)	(RPM)	(CFM)	(inH2O)	dB(A)
① AD6025V12_JWGE	12	0.10	1.20	3100	14.1	0.10	26
① AD6025V24_JWGE	24	0.06	1.44	3100	14.1	0.10	26
① AD6025V48_JWGE	48	0.05	2.40	3100	14.1	0.10	26
② AD6025V12_LWGE	12	0.12	1.44	3600	18.5	0.14	31
② AD6025V24_LWGE	24	0.08	1.92	3600	18.5	0.14	31
② AD6025V48_LWGE	48	0.06	2.88	3600	18.5	0.14	31
③ AD6025V12_MWGE	12	0.16	1.92	4250	21.5	0.19	34
③ AD6025V24_MWGE	24	0.11	2.64	4250	21.5	0.19	34
③ AD6025V48_MWGE	48	0.07	3.36	4250	21.5	0.19	34
④ AD6025V12_HWGE	12	0.35	4.20	5000	25.6	0.26	40
④ AD6025V24_HWGE	24	0.20	4.80	5000	25.6	0.26	40
④ AD6025V48_HWGE	48	0.12	5.76	5000	25.6	0.26	40
⑤ AD6025V12BUWGE	12	0.40	4.80	6800	34.8	0.51	47
⑤ AD6025V24BUWGE	24	0.25	6.00	6800	34.8	0.51	47

_ for B / S = Ball Bearing / Sleeve Bearing