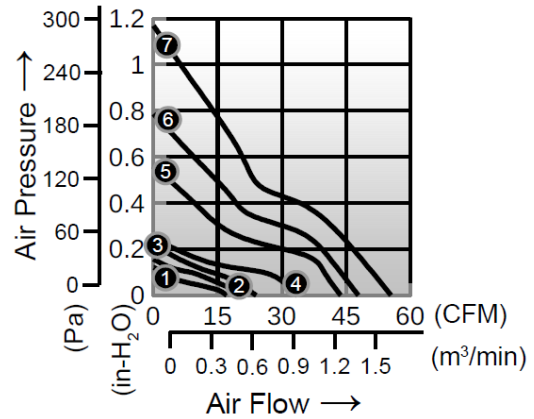
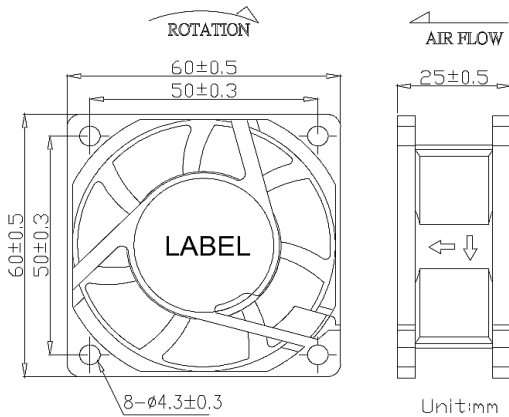


AD6025GF SERIES

- Size: 60 x 60 x 25mm
- Housing: Plastic (UL 94V-0)
- Impeller: Plastic (UL 94V-0)
- Motor: 4 Pole Brushless DC Motor
- Operating Temperature: -10°C ~ +70°C
- Insulation: Class A
- Weight: 60.0g



Model Number	Voltage	Current	Power	Speed	Air Flow	Pressure	Noise
	(V)	(A)	(W)	(RPM)	(CFM)	(inH2O)	dB(A)
① AD6025V12_JWGF	12	0.08	0.96	3100	17.1	0.12	26
① AD6025V24_JWGF	24	0.06	1.44	3100	17.1	0.12	26
② AD6025V12_LWGF	12	0.12	1.44	3600	21.5	0.16	31
② AD6025V24_LWGF	24	0.06	1.44	3600	21.5	0.16	31
③ AD6025V12_MWGF	12	0.15	1.80	4250	24.0	0.22	34
③ AD6025V24_MWGF	24	0.08	1.92	4250	24.0	0.22	34
③ AD6025V48_LWGF	48	0.06	2.88	4250	24.0	0.22	34
④ AD6025V12_HWGF	12	0.28	3.36	5000	33.6	0.25	40
④ AD6025V24_HWGF	24	0.16	3.84	5000	33.6	0.25	40
④ AD6025V48_MWGF	48	0.10	4.80	5000	33.6	0.25	40
⑤ AD6025V12BUWGF	12	0.45	5.40	6800	43.8	0.56	56
⑤ AD6025V24BUWGF	24	0.28	6.72	6800	43.8	0.56	56
⑤ AD6025V48BHWGF	48	0.17	8.16	6800	43.8	0.56	56
⑥ AD6025V12BVWGF	12	0.48	5.76	7500	47.9	0.79	63
⑦ AD6025V12BWWGF	12	0.54	6.48	9800	55.5	1.17	66

_ for B / S = Ball Bearing / Sleeve Bearing