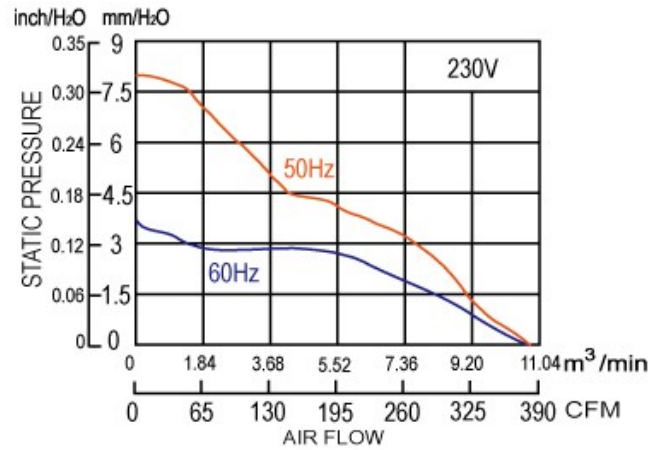
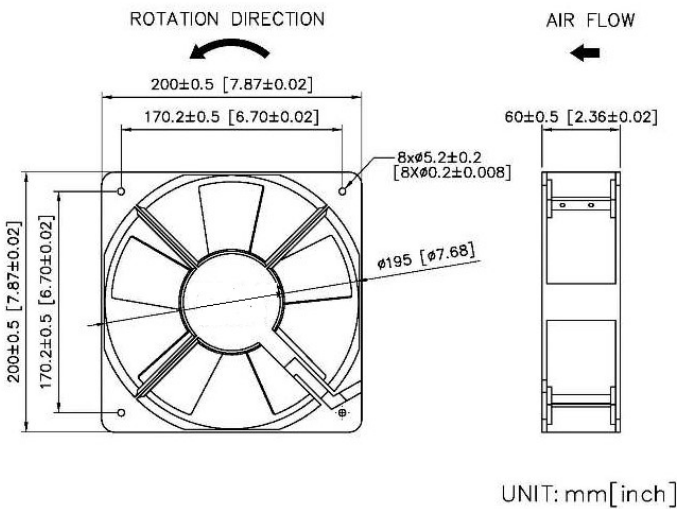


## AA200603C SERIES

- Size: 200 x 200 x 60mm
- Housing: Aluminum
- Impeller: Glass fiber reinforced plastic UL94V-0
- Motor: AC Shaded Pole Type
- Operating Temperature: -10°C ~ +70°C
- Insulation: Class A



Model Number	Voltage	Frequency	Current	Power	Speed	Air Flow	Pressure	Noise
	(V)	(Hz)	(A)	(W)	(RPM)	(CFM)	(mmH <sub>2</sub> O)	(dB(A))
AA20060V22BH*3C	230	50/60	0.40/0.35	50/60	2650/2740	376/374	7.9/3.83	52/52

\* for T/W = Terminals/ Lead Wires