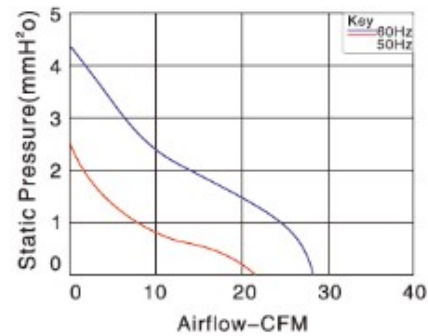
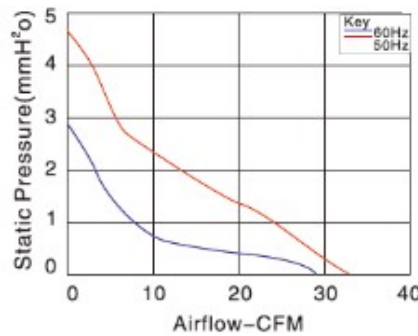
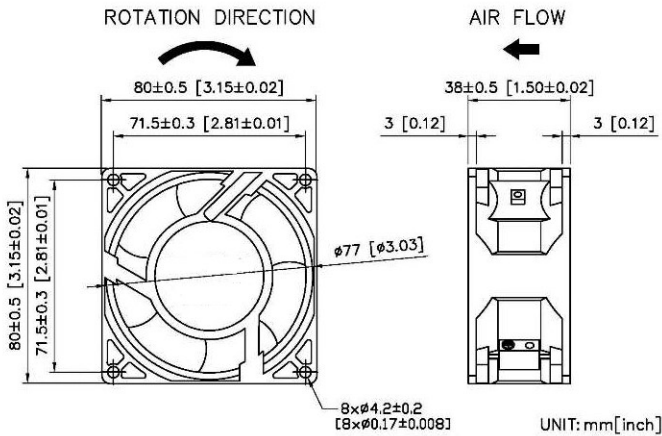


AA8038M9L SERIES

- Size: 80 x 80 x 38mm
- Housing: Aluminum
- Impeller: Thermoplastic PBT, UL94V-0
- Motor: AC Shaded Pole Type
- Operating Temperature: -10°C ~ +70°C
- Insulation: Class A



Model Number	Voltage	Frequency	Current	Power	Speed	Air Flow	Pressure	Noise
	(V)	(Hz)	(A)	(W)	(RPM)	(CFM)	(mmH ₂ O)	(dB(A))
AA8038V11MSH*9L	100/125	50/60	0.2	9.5/7	2550/3100	23/28	4.1/4.8	28/32
AA8038V22MSH*9L	200/240	50/60	0.06/0.05	9.5/7	2550/3100	23/28	4.1/4.8	28/32
AA8038V11MBH*9L	100/125	50/60	0.2	9.5/7	2550/3100	23/28	4.1/4.8	28/32
AA8038V22MBH*9L	200/240	50/60	0.06/0.05	9.5/7	2550/3100	23/28	4.1/4.8	28/32
AA8038V11MSM*9L	100/125	50/60	0.13	9/7	2300/2700	26/30	2.3/3.2	22/26
AA8038V22MSM*9L	200/240	50/60	0.065	7/6	2300/27400	26/30	2.3/3.2	22/26
AA8038V11MBM*9L	100/125	50/60	0.13	9/7	2300/2700	26/30	2.3/3.2	22/26
AA8038V22MBM*9L	200/240	50/60	0.065	7/6	2300/27400	26/30	2.3/3.2	22/26

* for T/W = Terminals/ Lead Wires