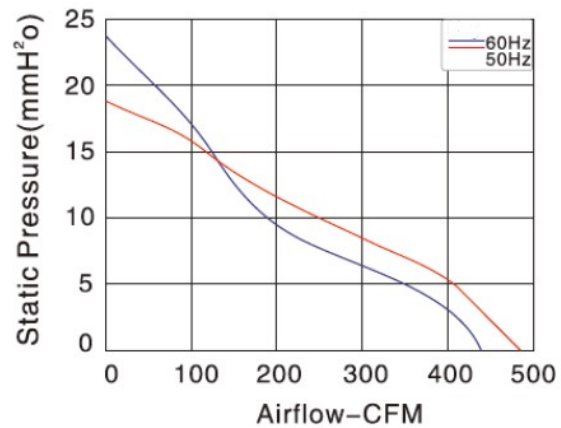
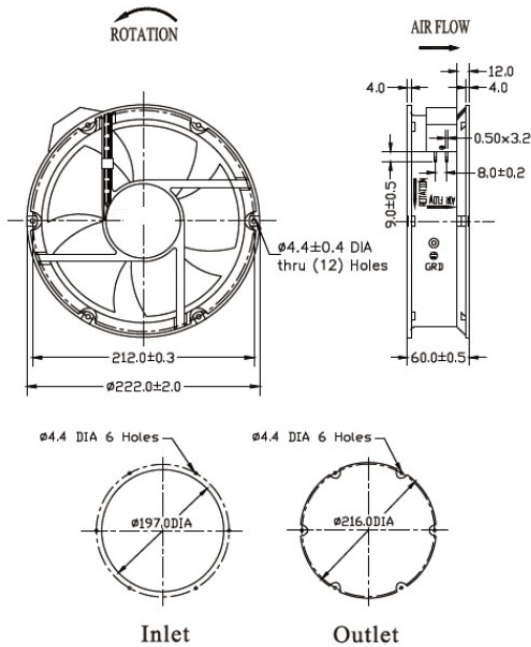


AA200609L SERIES

- Size: 200 x 200 x 60mm
- Housing: Aluminum
- Impeller: Glass fiber reinforced plastic UL94V-0
- Motor: AC Capacitor Motor
- Operating Temperature: -10°C ~ +70°C
- Insulation: Class A



Model Number	Voltage	Frequency	Current	Power	Speed	Air Flow	Noise
	(V)	(Hz)	(A)	(W)	(RPM)	(CFM)	dB(A)
AA20060V11RBH*9L	100/125	50/60	0.42/0.46	50/60	2800/3100	430/485	55/67
AA20060V22RBH*9L	200/240	50/60	0.25/0.26	50/60	2800/3100	430/485	55/67

* for T/W = Terminals/ Lead Wires