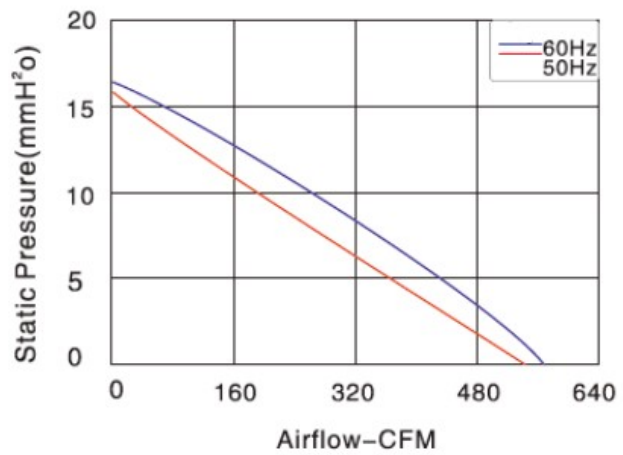
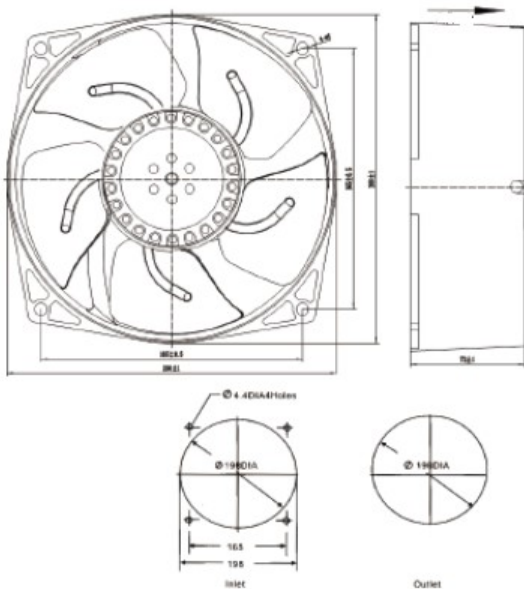


AA208729L SERIES

- Size: 208 x 208 x 72mm
- Housing: Aluminum
- Impeller: Metal
- Motor: AC Capacitor Motor with External Rotor
- Operating Temperature: -10°C ~ +105°C
- Insulation: Class A



Model Number	Voltage	Frequency	Current	Power	Speed	Air Flow	Noise
	(V)	(Hz)	(A)	(W)	(RPM)	(CFM)	dB(A)
AA20872V22BH*9L	200/240	50/60	0.32	65/70	2500/2900	506/577	58
AA20872V38BH*9L	380/420	50/60	0.26	79/70	2500/2900	506/577	62

* for T/W = Terminals/ Lead Wires