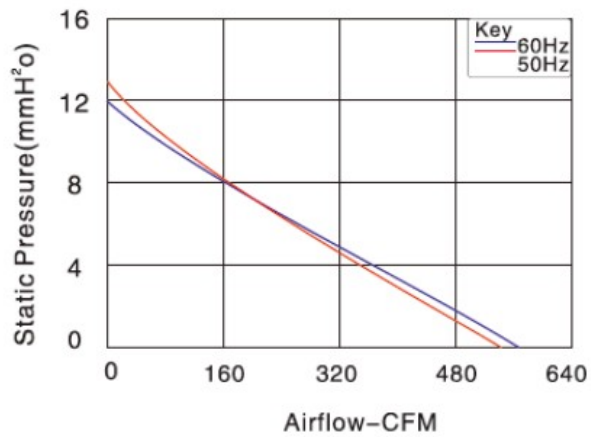
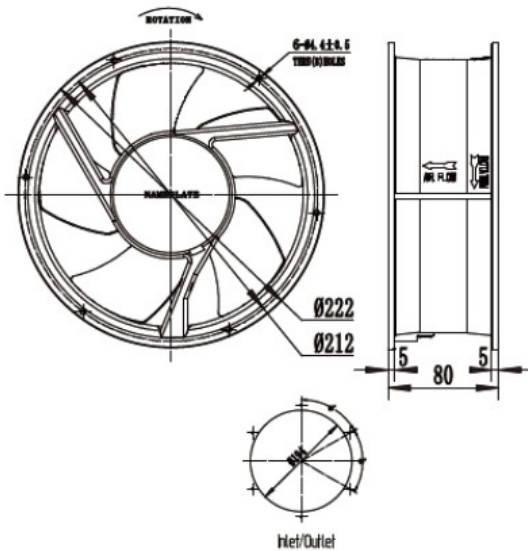


AA22080M9L SERIES

- Size: 200 x 200 x 80mm
- Housing: Aluminum
- Impeller: Metal
- Motor: AC Capacitor Motor with External Rotor
- Operating Temperature: -10°C ~ +105°C
- Insulation: Class E



Model Number	Voltage	Frequency	Current	Power	Speed	Air Flow	Noise
	(V)	(Hz)	(A)	(W)	(RPM)	(CFM)	dB(A)
AA22080V11MBH*9L	100/125	50/60	0.58/0.65	67/77	2600/2800	500/545	59/61
AA22080V22MBH*9L	200/240	50/60	0.28/0.35	62/80	2600/2800	500/545	59/61
AA22080V38MBH*9L	380/420	50/60	0.25	65	2600/2800	500/545	59/61

* for T/W = Terminals/ Lead Wires