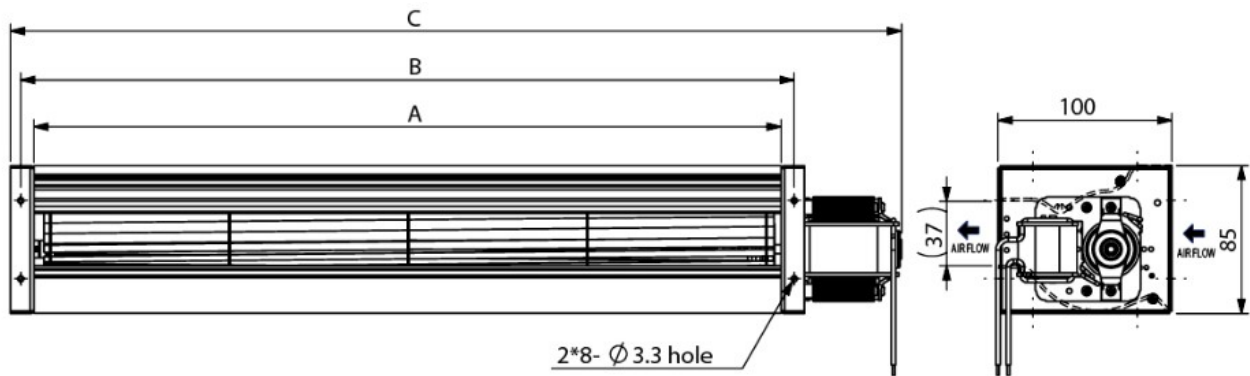


CA060M SERIES

- Size : $\phi 60$ mm
- Housing / Impeller : Aluminum / Aluminum
- Motor : AC Shaded Pole Type
- Operating Temperature : $0^{\circ}\text{C} \sim +45^{\circ}\text{C}$
- Insulation : Class A



Model Number	Size (mm)			Voltage (V)	Frequency (Hz)	Current (A)	Power (W)	Speed (RPM)	Air Flow (CFM)	Pressure (mmH ₂ O)	Noise dB(A)	Weight (kg)
	A	B	C									
CA06030V22BHWM	310	325	393	220	50/60	0.39/0.34	41/40	2750/3100	123/138	2.2/2.4	45/47	1.7
				230	50	0.42	45	2750	123	2.2	45	
CA06036V22BHWM	370	385	453	220	50/60	0.39/0.35	41/40	2700/3000	145/155	2.2/2.3	44/46	1.8
				230	50	0.42	45	2700	145	2.2	44	
CA06042V22BHWM	430	445	513	220	50/60	0.39/0.36	44/41	2650/2900	169/184	2.3/2.5	45/46	1.9
				230	50	0.42	47	2700	169	2.3	45	
CA06052V22BHWM	530	545	613	220	50/60	0.41/0.39	46/47	2600/2650	205/208	2.4/2.5	44/45	2
				230	50	0.44	50	2650	208	2.5	45	

_ for B / S = Ball Bearing / Sleeve Bearing

