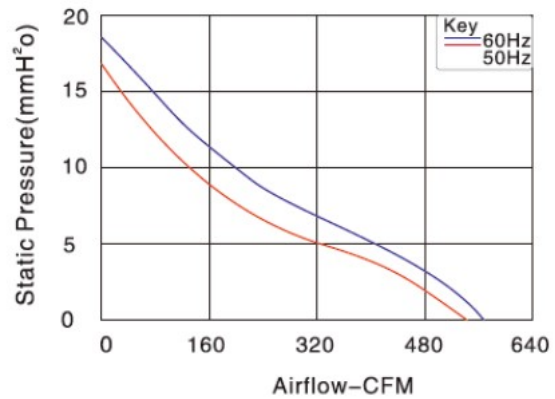
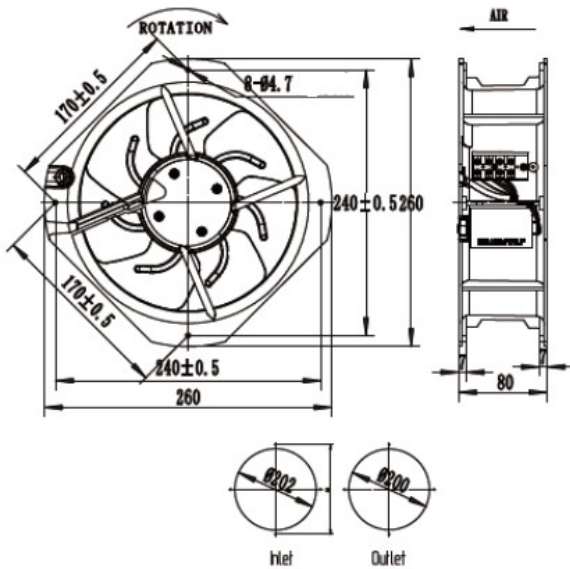


# AA22580M9L SERIES

- Size: 225 x 225 x 80mm
- Housing: Aluminum
- Impeller: Metal
- Motor: AC Capacitor Motor with External Rotor
- Operating Temperature: -10°C ~ +105°C
- Insulation: Class E



Model Number	Voltage	Frequency	Current	Power	Speed	Air Flow	Noise
	(V)	(Hz)	(A)	(W)	(RPM)	(CFM)	dB(A)
AA22580V11MBH*9L	100/125	50/60	0.68/0.65	67/77	2700/3100	597/634	59/61
AA22580V22MBH*9L	200/240	50/60	0.35/0.28	62/80	2700/3100	597/634	59/61
AA22580V38MBH*9L	380/420	50/60	0.25	65	2700/3100	597/634	59/61

\* for T/W = Terminals/ Lead Wires