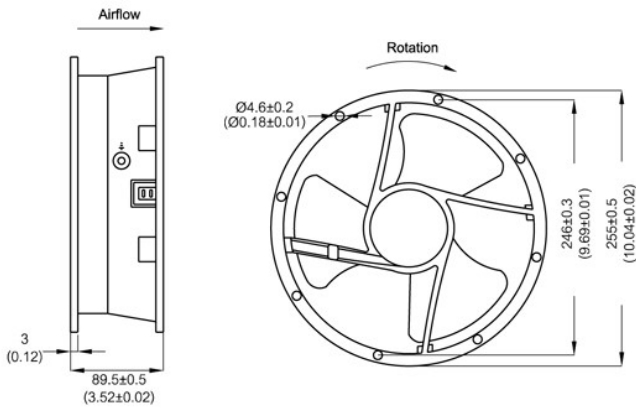
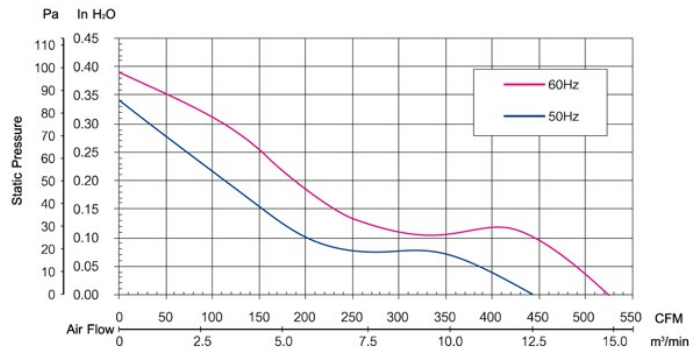


## AA25489 SERIES

- Size:  $\Phi 254 \times 89\text{mm}$
- Housing: Aluminum
- Impeller: Thermoplastic PBT, UL94V-0
- Motor: AC Capacitor Motor with External Rotor
- Operating Temperature:  $-10^{\circ}\text{C} \sim +70^{\circ}\text{C}$
- Insulation: Class B/F



Unit:mm(Inch)



Model Number	Voltage	Frequency	Current	Power	Speed	Air Flow	Noise
	(V)	(Hz)	(A)	(W)	(RPM)	(CFM)	dB(A)
AA25489V11BH*	115	50/60	0.35/0.36	38/40	1400/1700	443/525	49/53
AA25489V22BH*	230	50/60	0.19/0.18	39/40	1400/1700	445/529	49/53

\* for T/W = Terminals/ Lead Wires