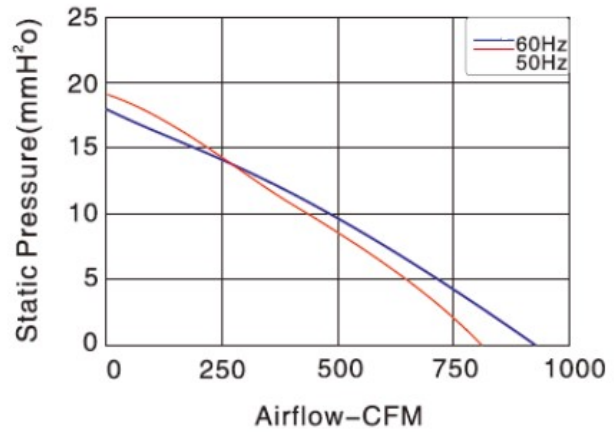
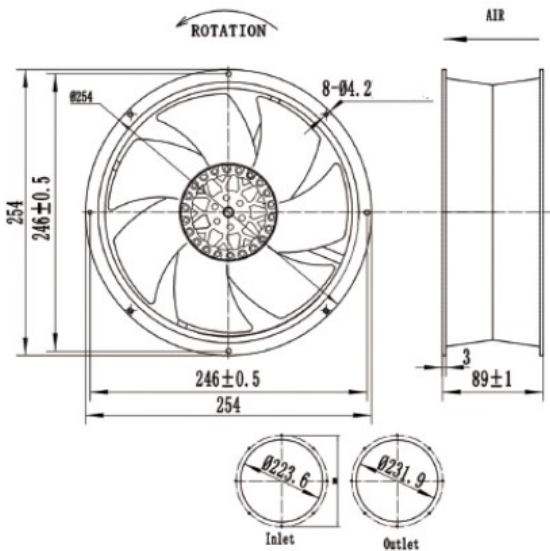


# AA25489M9L SERIES

- Size:  $\Phi 254 \times 89\text{mm}$
- Housing: Aluminum
- Impeller: Metal
- Motor: AC Capacitor Motor with External Rotor
- Operating Temperature:  $-10^{\circ}\text{C} \sim +105^{\circ}\text{C}$
- Insulation: Class E



| Model Number     | Voltage | Frequency | Current   | Power | Speed     | Air Flow | Noise |
|------------------|---------|-----------|-----------|-------|-----------|----------|-------|
|                  | (V)     | (Hz)      | (A)       | (W)   | (RPM)     | (CFM)    | dB(A) |
| AA25489V11MBH*9L | 100/125 | 50/60     | 0.98/1.15 | 67/77 | 2700/3100 | 885/900  | 59/61 |
| AA25489V22MBH*9L | 200/240 | 50/60     | 0.5/0.65  | 62/80 | 2700/3100 | 885/900  | 59/61 |
| AA25489V38MBH*9L | 380/420 | 50/60     | 0.25      | 65    | 2700/3100 | 885/900  | 59/61 |

\* for T/W = Terminals/ Lead Wires