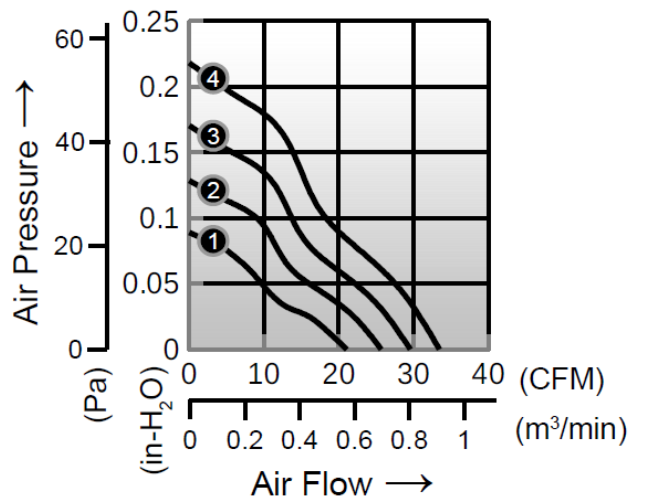
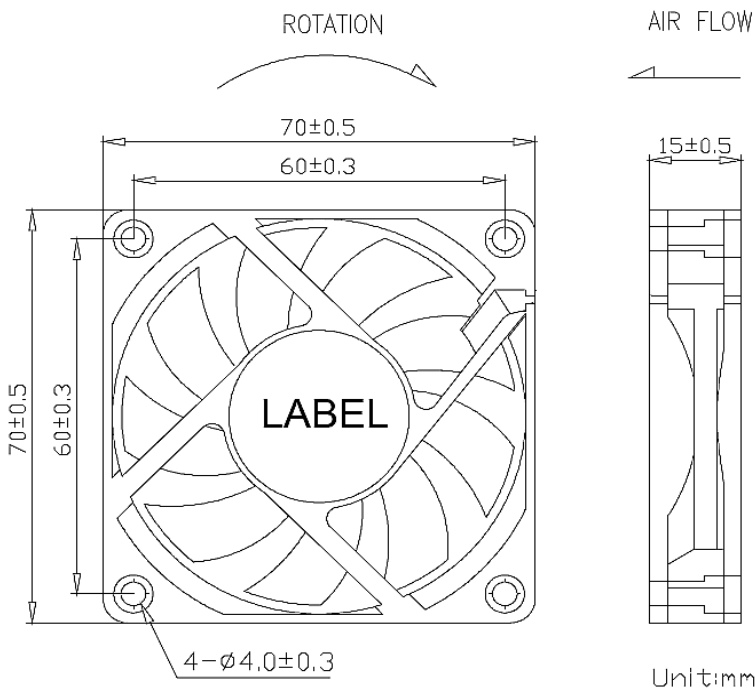


## AD7015GE SERIES

- Size: 70 x 70 x 15mm
- Housing: Plastic (UL 94V-0)
- Impeller: Plastic (UL 94V-0)
- Motor: 4 Pole Brushless DC Motor
- Operating Temperature: -10°C ~ +70°C
- Insulation: Class A
- Weight: 50.0g



Model Number	Voltage	Current	Power	Speed	Air Flow	Pressure	Noise
	(V)	(A)	(W)	(RPM)	(CFM)	(inH <sub>2</sub> O)	dB(A)
① AD7015V12_JWGE	12	0.10	1.20	2800	21.1	0.09	27
② AD7015V12_LWGE	12	0.12	1.44	3300	25.7	0.13	31
③ AD7015V12_MWGE	12	0.17	2.04	3800	29.6	0.17	35
③ AD7015V24_MWGE	24	0.10	2.40	3800	29.6	0.17	35
④ AD7015V12_HWGE	12	0.25	3.00	4300	33.5	0.22	39
④ AD7015V24_HWGE	24	0.12	2.88	4300	33.5	0.22	39

\_ for B / S = Ball Bearing / Sleeve Bearing