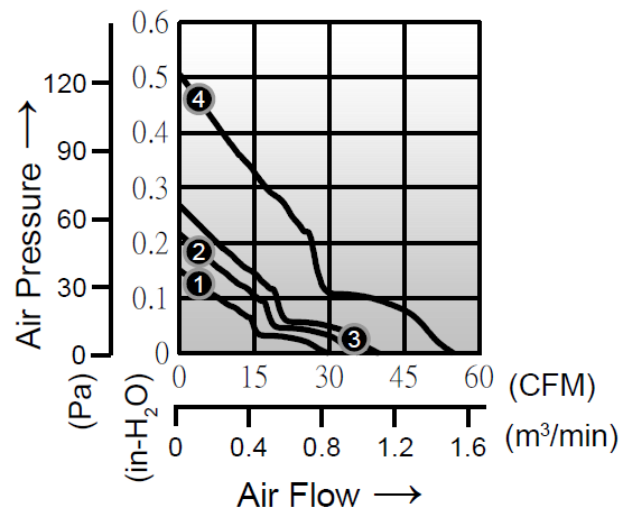
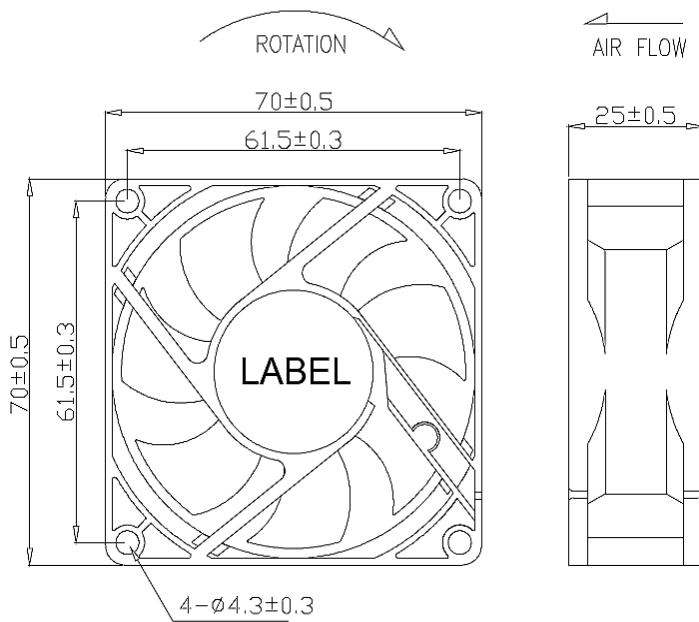


## AD7025GE SERIES

- Size: 70 x 70 x 25mm
- Housing: Plastic (UL 94V-0)
- Impeller: Plastic (UL 94V-0)
- Motor: 4 Pole Brushless DC Motor
- Operating Temperature: -10°C ~ +70°C
- Insulation: Class A
- Weight: 74.0g



Model Number	Voltage	Current	Power	Speed	Air Flow	Pressure	Noise
	(V)	(A)	(W)	(RPM)	(CFM)	(inH2O)	dB(A)
① AD7025V12_LWGE	12	0.07	0.84	3000	30.0	0.15	27
① AD7025V24_LWGE	24	0.05	1.20	3000	30.0	0.15	27
① AD7025V48_LWGE	48	0.04	1.92	3000	30.0	0.15	27
② AD7025V12_MWGE	12	0.09	1.08	3600	35.6	0.22	32
② AD7025V24_MWGE	24	0.06	1.44	3600	35.6	0.22	32
② AD7025V48_MWGE	48	0.05	2.40	3600	35.6	0.22	32
③ AD7025V12_HWGE	12	0.13	1.56	4000	39.9	0.27	37
③ AD7025V24_HWGE	24	0.08	1.92	4000	39.9	0.27	37
③ AD7025V48_HWGE	48	0.07	3.36	4000	39.9	0.27	37
③ AD7025V12BUWGE	12	0.16	1.92	5500	54.8	0.50	45
③ AD7025V24BUWGE	24	0.35	8.40	5500	54.8	0.50	45

\_ for B / S = Ball Bearing / Sleeve Bearing