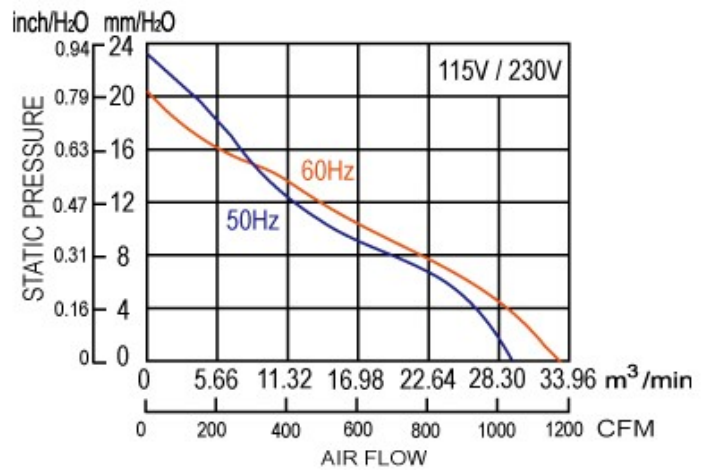
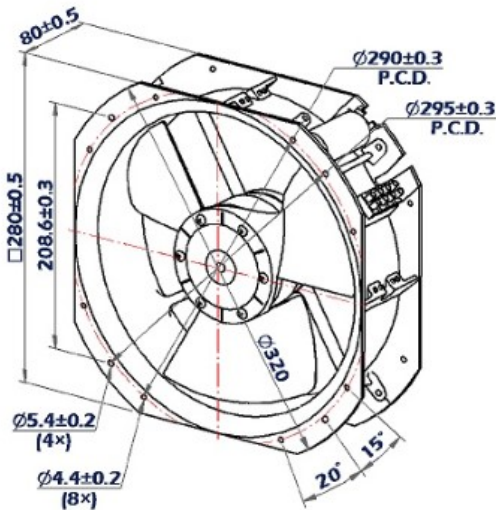


AA28080MDG SERIES

- Size: 280 x 280 x 80mm
- Housing: Aluminum
- Impeller: Metal
- Motor: AC Capacitor Motor
- Operating Temperature: -10°C ~ + 85°C
- Insulation: Class F



Model Number	Voltage	Frequency	Current	Power	Speed	Air Flow	Pressure	Noise
	(V)	(Hz)	(A)	(W)	(RPM)	(CFM)	(mmAq)	dB(A)
AA28080V38BHMLDG	380	50/60	0.24/0.24	88/120	2750/3100	1000/1130	29/2	70/73
AA28080V44BHMLDG	440	50/60	0.185/0.188	80/109	2750/3150	1090/1200	25.5/22	71/74

* for T/W = Terminals/ Lead Wires