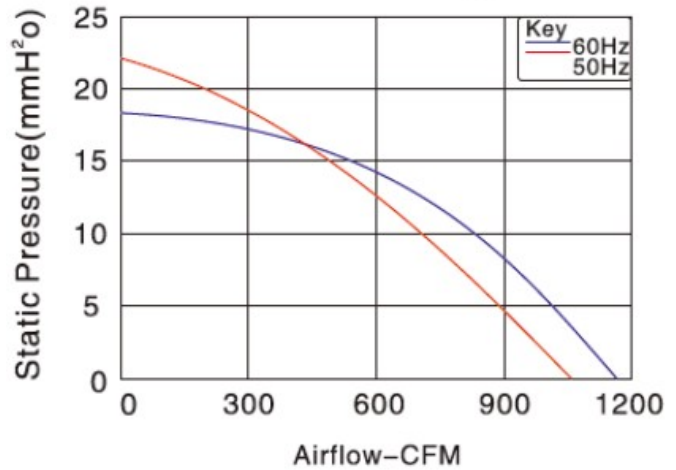
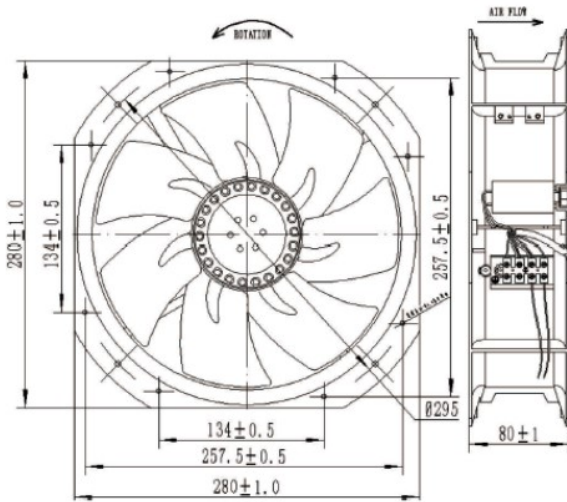


AA28080M9L SERIES

- Size: 280 x 280 x 80mm
- Housing: Aluminum
- Impeller: Metal
- Motor: AC Capacitor Motor
- Operating Temperature: -10°C ~ + 105°C
- Insulation: Class F



Model Number	Voltage	Frequency	Current	Power	Speed	Air Flow	Noise
	(V)	(Hz)	(A)	(W)	(RPM)	(CFM)	dB(A)
AA28080V11BHM*9L	100/125	50/60	1.2/1.3	126/148	2500/2700	1098/1160	69/70
AA28080V22BHM*9L	200/240	50/60	0.58/0.63	126/148	2500/2700	1098/1160	69/70
AA28080V11BHM*9L	380/420	50/60	0.32	120	2500/2700	1098/1160	69/70

* for T/W = Terminals/ Lead Wires