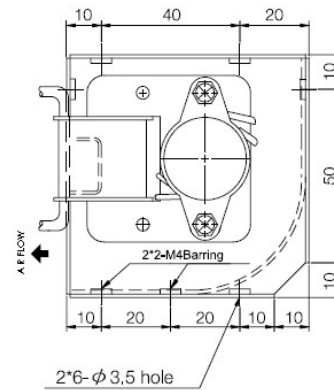
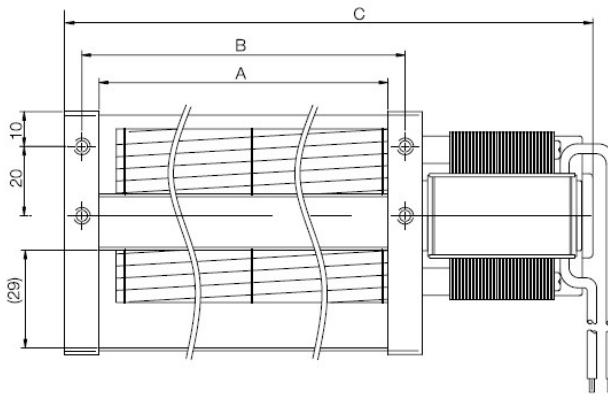


CA050E SERIES

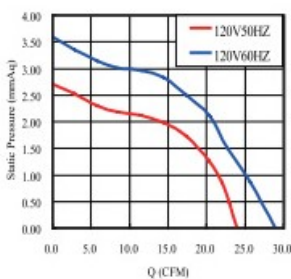
- Size: $\phi 50\text{mm}$
- Housing / Impeller: Aluminum / Aluminum
- Motor: AC Shaded Pole Type
- Operating Temperature: $0^{\circ}\text{C} \sim +45^{\circ}\text{C}$
- Insulation: Class A



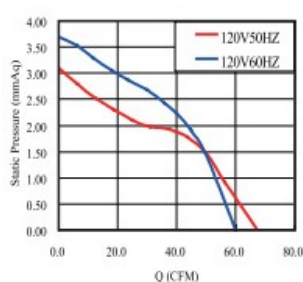
| Model Number | Size (mm) | | | Voltage (V) | Frequency (Hz) | Current (A) | Power (W) | Speed (RPM) | Air Flow (CFM) | Pressure (mmH2O) | Noise (dB(A)) | Weight (g) |
|----------------|-----------|-----|-----|-------------|----------------|-------------|-----------|-------------|----------------|------------------|---------------|------------|
| | A | B | C | | | | | | | | | |
| CA05009V11_HWE | 98 | 108 | 162 | 120 | 50/60 | 0.15/0.13 | 11/10 | 2300/2400 | 24/28 | 2.7/3.6 | 36/37 | 610 |
| CA05009V22_HWE | | | | 230 | 50/60 | 0.09/0.07 | 11/10 | 2300/2400 | 24/28 | 2.7/3.6 | 36/37 | |
| CA05019V11_HWE | 198 | 208 | 267 | 120 | 50/60 | 0.23/0.21 | 18/16 | 2000/1600 | 67/60 | 3.1/3.7 | 36/33 | 770 |
| CA05019V22_HWE | | | | 230 | 50/60 | 0.10/0.09 | 14/13 | 1900/1400 | 63/56 | 3.1/3.6 | 35/32 | |
| CA05029V11_HWE | 298 | 308 | 377 | 120 | 50/60 | 0.35/0.33 | 24/24 | 2200/1800 | 116/88 | 3.7/4.3 | 41/37 | 1100 |
| CA05029V22_HWE | | | | 230 | 50/60 | 0.15/0.14 | 21/20 | 2100/1500 | 116/81 | 3.7/4.1 | 41/35 | |
| CA05035V11_HWE | 350 | 368 | 437 | 120 | 50/60 | 0.35/0.33 | 23/23 | 2100/1500 | 110/103 | 3.7/4.3 | 41/36 | 1200 |
| CA05035V22_HWE | | | | 230 | 50/60 | 0.15/0.14 | 20/19 | 1900/1300 | 110/92 | 3.5/4.0 | 40/34 | |

_ for B / S = Ball Bearing / Sleeve Bearing

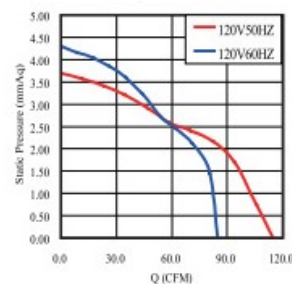
CA05009E



CA05019E



CA05029E



CA05035E

