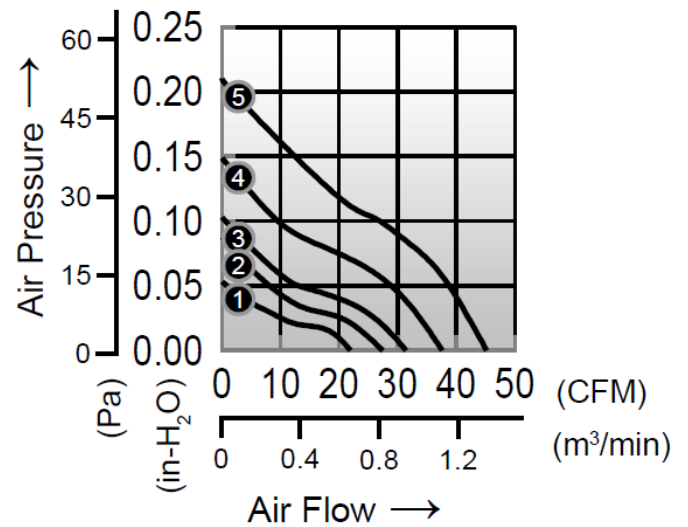
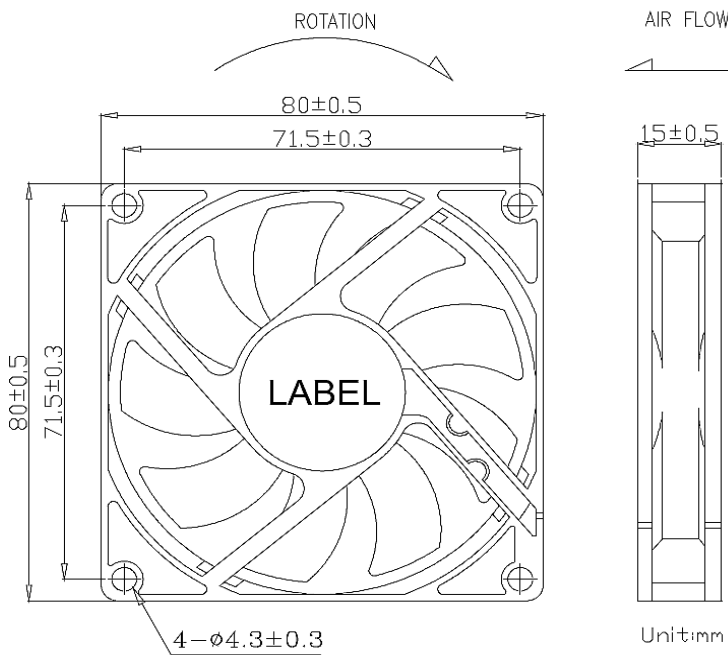


AD8015GE SERIES

- Size: 80 x 80 x 15mm
- Housing: Plastic (UL 94V-0)
- Impeller: Plastic (UL 94V-0)
- Motor: 4 Pole Brushless DC Motor
- Operating Temperature: -10°C ~ +70°C
- Insulation: Class A
- Weight: 54.0g



Model Number	Voltage	Current	Power	Speed	Air Flow	Pressure	Noise
	(V)	(A)	(W)	(RPM)	(CFM)	(inH2O)	dB(A)
① AD8015V12_JWGE	12	0.06	0.72	2400	22.0	0.05	25
① AD8015V24_JWGE	24	0.04	0.96	2400	22.0	0.05	25
② AD8015V12_LWGE	12	0.10	1.20	2700	27.5	0.09	30
② AD8015V24_LWGE	24	0.06	1.44	2700	27.5	0.09	30
③ AD8015V12_MWGE	12	0.12	1.44	3100	31.5	0.10	32
③ AD8015V24_MWGE	24	0.08	1.92	3100	31.5	0.10	32
④ AD8015V12_HWGE	12	0.16	1.92	3600	37.6	0.15	36
④ AD8015V24_HWGE	24	0.10	2.40	3600	37.6	0.15	36
⑤ AD8015V12_UWGE	12	0.30	3.60	4500	45.2	0.21	43

_ for B / S / F = Ball Bearing / Sleeve Bearing / Fluid Bearing