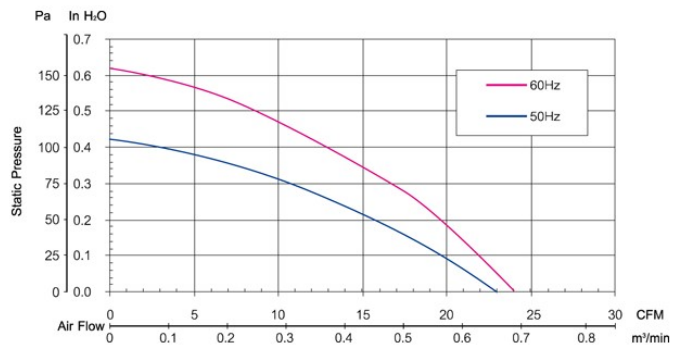
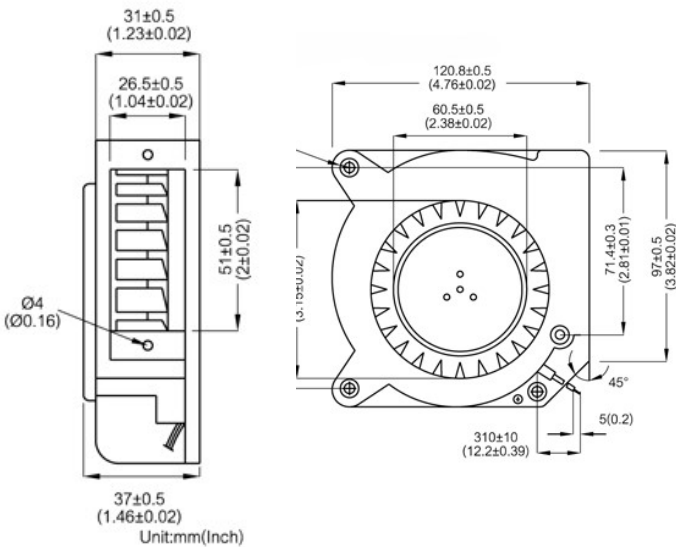
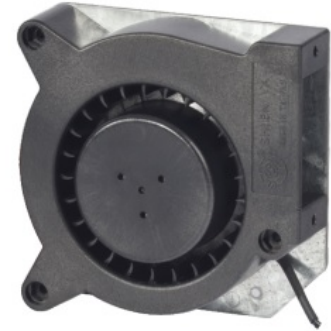


BA12137 SERIES

- Size: 121 x 121 x 37mm
- Housing: Housing Base of Galvanized Steel Plate
- Impeller: Thermoplastic PBT, UL94V-0
- Motor: AC Shaded Pole Motor
- Operating Temperature: -10°C to + 70°C for Sleeve Type
-20°C to + 80°C for Ball Type
- Insulation: Class B or F



Model Number	Voltage	Frequency	Current	Power	Speed	Air Flow	Noise
	(V)	(Hz)	(A)	(W)	(RPM)	(CFM)	dB(A)
BA12137V11BHW	115	50/60	0.27/0.24	21/19	2500/2500	22/23	53/54
BA12137V22BHW	230	50/60	0.14/0.12	21/20	2500/2500	22/23	53/54

* for T/W = Terminals/ Lead Wires