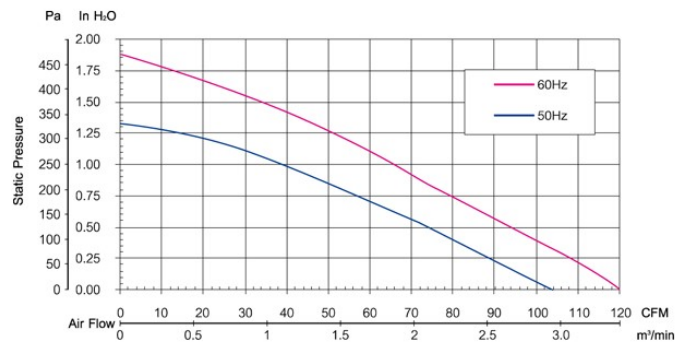
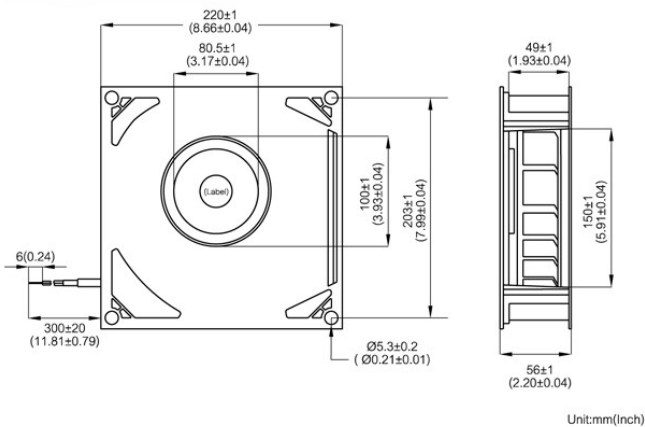


BA22056 SERIES

- Size: 220 x 220 x 56mm
- Housing: Housing Base of Galvanized Steel Plate
- Impeller: Thermoplastic PBT, UL94V-0
- Motor: AC Shaded Pole Motor
- Operating Temperature: -20°C to + 80°C for Ball Type
- Insulation: Class B or F



Model Number	Voltage	Frequency	Current	Power	Speed	Air Flow	Noise
	(V)	(Hz)	(A)	(W)	(RPM)	(CFM)	dB(A)
BA22056V11BHW	115	50/60	0.34/0.42	37/45	2900/3300	103/117	64/66
BA22056V22BHW	230	50/60	0.16/0.20	36/44	3300/3300	104/120	64/66

* for T/W = Terminals/ Lead Wires