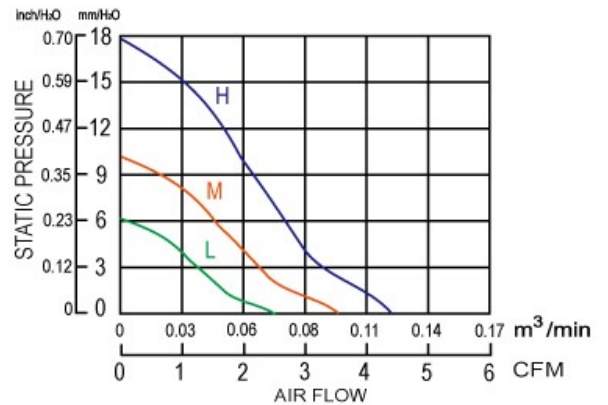
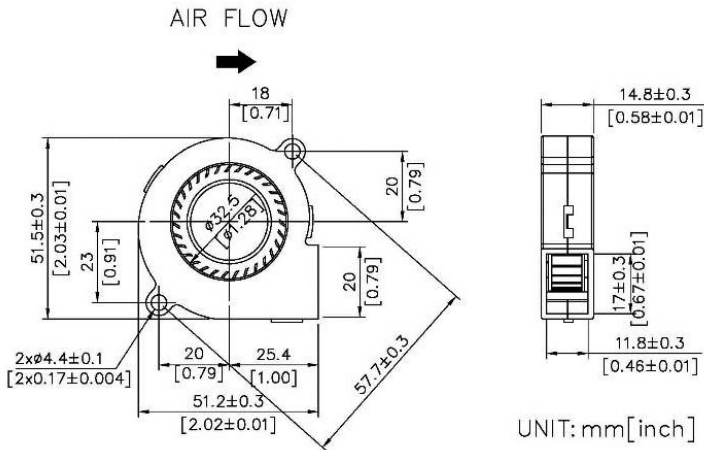
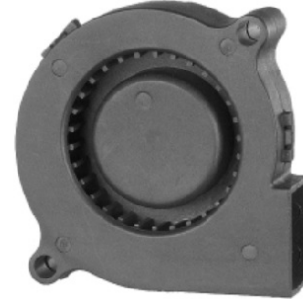


BD50153C SERIES

- Size: 50 x 50 x 15mm
- Housing: Plastic
- Impeller: Plastic
- Motor: 4 Pole Brushless DC Motor
- Operating Temperature: -10°C ~ +70°C
- Insulation: Class A
- Weight: 28g



Model Number	Voltage	Current	Power	Speed	Air Flow	Pressure	Noise
	(V)	(A)	(W)	(RPM)	(CFM)	(mmH2O)	dB(A)
BD5015V05_HW3C	5	0.28	1.4	5000	4.4	17.78	38
BD5015V12_HW3C	12	0.14	1.78	5000	4.4	17.78	38
BD5015V05_MW3C	5	0.18	0.9	4000	3.5	10.16	32
BD5015V12_MW3C	12	0.09	1.08	4000	3.5	10.16	32
BD5015V05_LW3C	5	0.1	0.5	3000	2.5	6.09	25
BD5015V12_LW3C	12	0.06	0.72	3000	2.5	6.09	25

_ for B / S = Ball Bearing / Sleeve Bearing