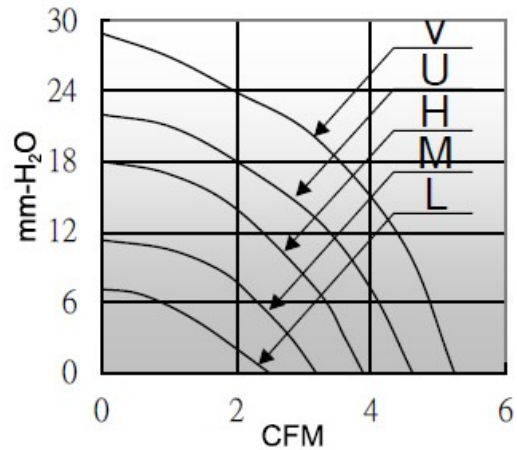
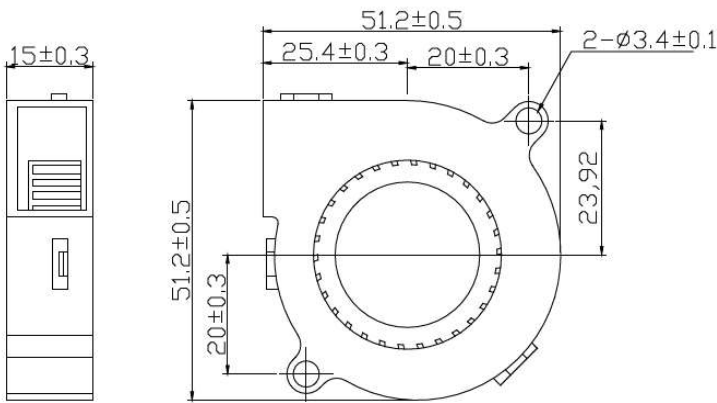


BD5015GE SERIES

- Size: 50 x 50 x 15mm
- Housing: Plastic
- Impeller: Plastic
- Motor: 4 Pole Brushless DC Motor
- Operating Temperature: -10°C ~ +70°C
- Insulation: Class A
- Weight: 28g



Model Number	Voltage	Current	Power	Speed	Air Flow	Pressure	Noise
	(V)	(A)	(W)	(RPM)	(CFM)	(mmH2O)	dB(A)
BD5015V05_LWGE	5	0.09	0.45	3500	2.48	7.0	27.0
BD5015V12_LWGE	12	0.06	0.72	3500	2.48	7.0	27.0
BD5015V05_MWGE	5	0.12	0.60	4500	3.18	11.2	32.5
BD5015V12_MWGE	12	0.07	0.84	4500	3.18	11.2	32.5
BD5015V24_MWGE	24	0.05	1.20	4500	3.18	11.2	32.5
BD5015V05_HWGE	5	0.18	0.90	5500	3.56	14.1	37.2
BD5015V12_HWGE	12	0.09	1.08	5500	3.56	14.1	37.2
BD5015V24_LWGE	24	0.07	1.68	5500	3.56	14.1	37.2
BD5015V12_UWGE	12	0.15	1.80	6500	4.60	22.0	45.3
BD5015V24_UWGE	24	0.12	2.88	6500	4.60	22.0	45.3
BD5015V12_VWGE	12	0.21	2.52	7500	5.25	29.7	48.5
BD5015V24_VWGE	24	0.15	3.60	7500	5.25	29.7	48.5

_ for B / S = Ball Bearing / Sleeve Bearing