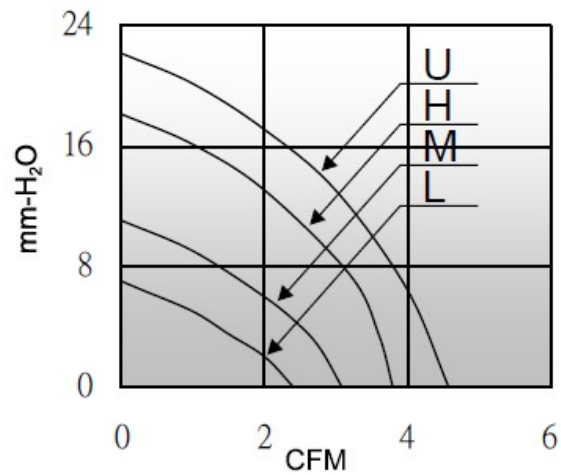
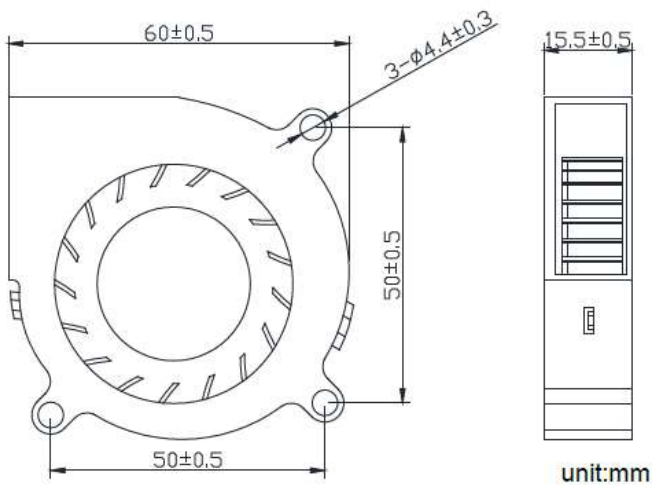


BD6015GE SERIES

- Size: 60 x 60 x 15mm
- Housing: Aluminum
- Impeller: Plastic
- Motor: 4 Pole Brushless DC Motor
- Operating Temperature: -10°C ~ +70°C
- Insulation: Class A
- Weight: 26g



Model Number	Voltage	Current	Power	Speed	Air Flow	Pressure	Noise
	(V)	(A)	(W)	(RPM)	(CFM)	(mmH2O)	dB(A)
BD6015V05_LWGE	5	0.20	1.00	3500	2.35	7.0	27.0
BD6015V12_LWGE	12	0.10	1.20	3500	2.35	7.0	27.0
BD6015V05_MWGE	5	0.26	1.30	4500	3.14	11.2	32.5
BD6015V12_MWGE	12	0.13	1.56	4500	3.14	11.2	32.5
BD6015V24_MWGE	24	0.08	1.92	4500	3.14	11.2	32.5
BD6015V05_HWGE	5	0.36	1.80	5500	3.77	18.1	37.2
BD6015V12_HWGE	12	0.17	2.04	5500	3.77	18.1	37.2
BD6015V24_LWGE	24	0.12	2.88	5500	3.77	18.1	37.2
BD6015V12_UWGE	12	0.28	3.36	6500	4.60	22.0	45.3
BD6015V24_UWGE	24	0.15	3.60	6500	4.60	22.0	45.3

_ for B / S = Ball Bearing / Sleeve Bearing