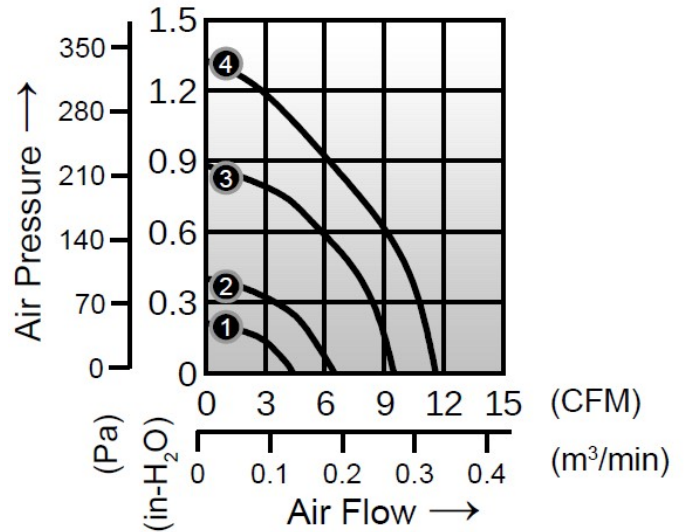
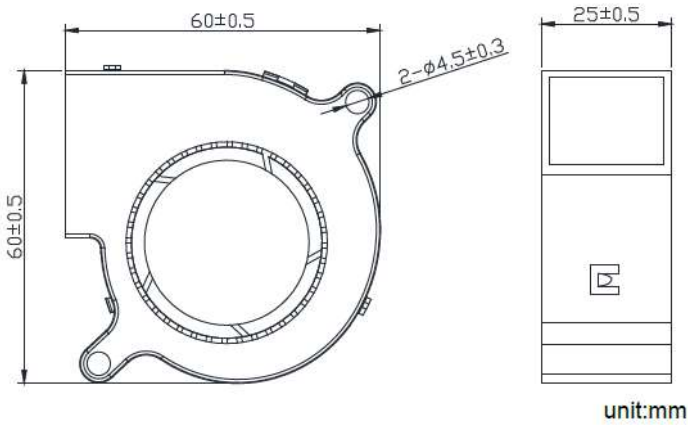


BD6025GE SERIES

- Size: 60 x 60 x 25mm
- Housing: Plastic
- Impeller: Plastic
- Motor: 4 Pole Brushless DC Motor
- Operating Temperature: -10°C ~ +70°C
- Insulation: Class A
- Weight: 45g



Model Number	Voltagge	Current	Power	Speed	Air Flow	Pressure	Noise
	(V)	(A)	(W)	(RPM)	(CFM)	(mmH2O)	dB(A)
BD6025V12_IWGE	12	0.10	1.20	2500	5.6	5.3	24
BD6025V12_LWGE	12	0.25	3.00	3500	7.2	10.2	27
BD6025V12_MWGE	12	0.40	4.80	4500	10.5	19.1	41
BD6025V12_HWGE	12	0.50	6.00	5500	12.8	28.7	47

_ for B / F = Ball Bearing / FMB Bearing