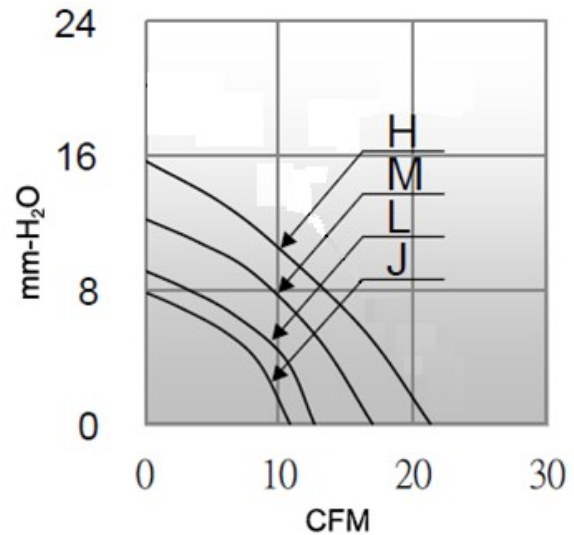
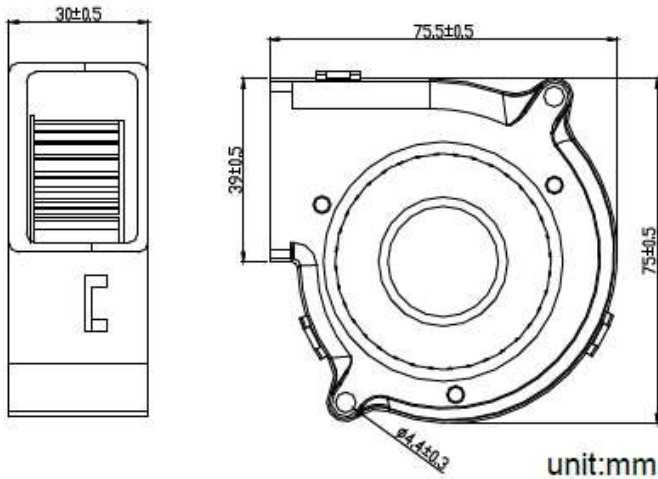


BD7530GE SERIES

- Size: 75 x 75 x 30mm
- Housing: Plastic
- Impeller: Plastic
- Motor: 4 Pole Brushless DC Motor
- Operating Temperature: -10°C ~ +70°C
- Insulation: Class A
- Weight: 100g



| Model Number | Voltage | Current | Power | Speed | Air Flow | Pressure | Noise |
|----------------|---------|---------|-------|-------|----------|----------|-------|
| | (V) | (A) | (W) | (RPM) | (CFM) | (mmH2O) | dB(A) |
| BD7530V12_JWGE | 12 | 0.24 | 2.88 | 2600 | 10.9 | 7.8 | 32 |
| BD7530V12_LWGE | 12 | 0.30 | 3.60 | 3000 | 12.7 | 9.1 | 41 |
| BD7530V12_MWGE | 12 | 0.38 | 4.56 | 3600 | 17.0 | 12.2 | 48 |
| BD7530V12_HWGE | 12 | 0.45 | 5.40 | 4000 | 21.4 | 15.7 | 51 |
| BD7530V24_JWGE | 24 | 0.13 | 3.12 | 2600 | 10.9 | 7.8 | 32 |
| BD7530V24_LWGE | 24 | 0.16 | 3.84 | 3000 | 12.7 | 9.1 | 41 |
| BD7530V24_MWGE | 24 | 0.22 | 5.28 | 3600 | 17.0 | 12.2 | 48 |
| BD7530V24_HWGE | 24 | 0.26 | 6.24 | 4000 | 21.4 | 15.7 | 51 |

_ for B / F = Ball Bearing / FMB Bearing