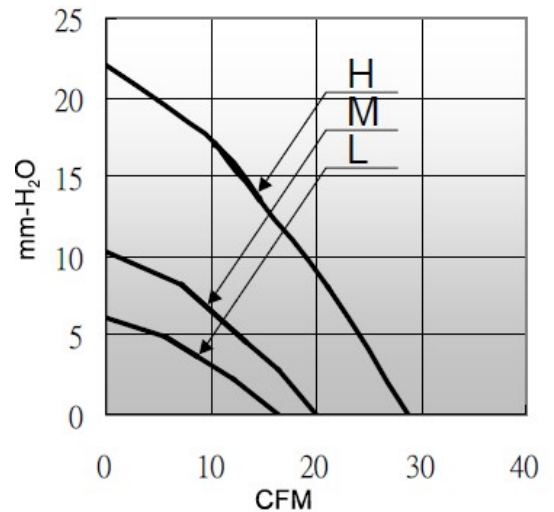
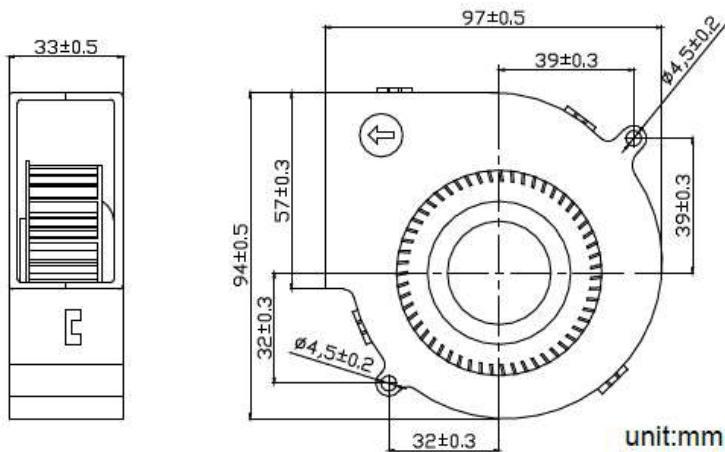


BD9433GE SERIES

- Size: 94 x 97 x 33mm
- Housing: Plastic
- Impeller: Plastic
- Motor: 4 Pole Brushless DC Motor
- Operating Temperature: -10°C ~ +70°C
- Insulation: Class A
- Weight: 100g



Model Number	Voltage	Current	Power	Speed	Air Flow	Pressure	Noise
	(V)	(A)	(W)	(RPM)	(CFM)	(mmH2O)	dB(A)
BD9433V12_LWGE	12	0.21	2.52	2200	16.33	6.15	43
BD9433V24_LWGE	24	0.14	3.36	2200	16.33	6.15	43
BD9433V12_MWGE	12	0.32	3.84	2700	20.10	10.29	45
BD9433V24_MWGE	24	0.18	4.32	2700	20.10	10.29	45
BD9433V12_HWGE	12	0.60	7.20	3600	28.83	22.04	52
BD9433V24_HWGE	24	0.32	7.68	3600	28.83	22.04	52

_ for B / F = Ball Bearing / FMB Bearing