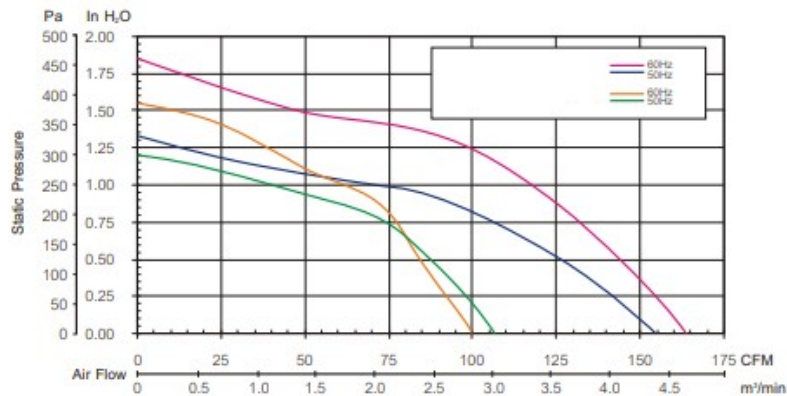
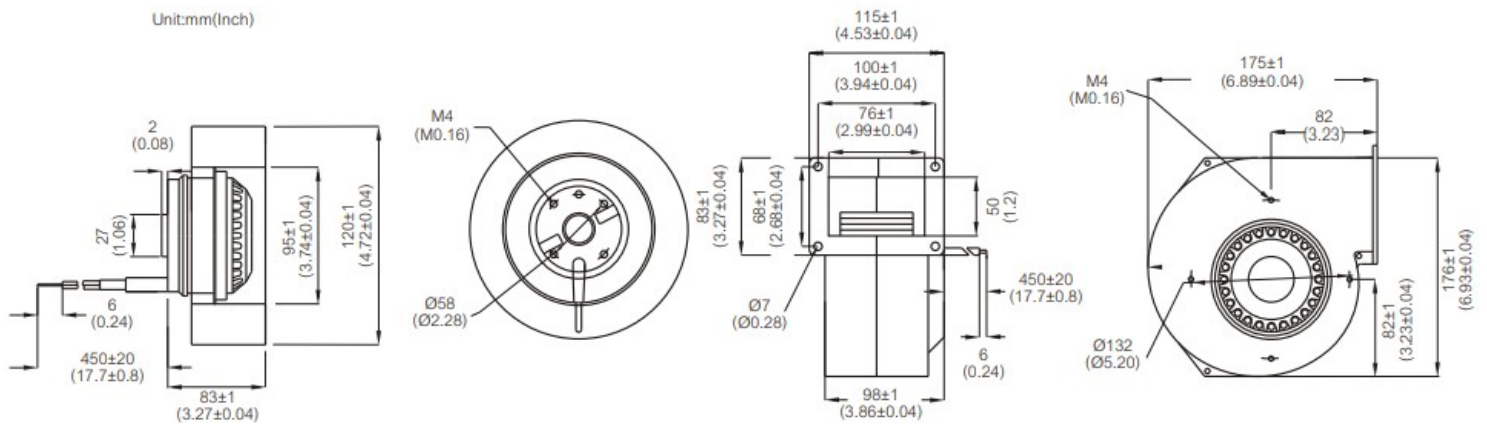


BA13298 SERIES

- Size: $\Phi 120 \times 98\text{mm}$
- Housing: Die-cast Aluminum
- Impeller: Galvanized Sheet Steel
- Motor: Capacitor-Run Induction and External Rotor Motor
- Operating Temperature: $-20^{\circ}\text{C} \sim +60^{\circ}\text{C}$
- Insulation: Class B or F
- Weight: 1910g



Model Number	Voltage	Frequency	Current	Power	Speed	Air Flow	Noise
	(V)	(Hz)	(A)	(W)	(RPM)	(CFM)	dB(A)
BA13298V11BHW	115	50/60	0.72/0.80	78/92	2310/2470	154/164	60/61
BA13298V22BHW	230	50/60	0.35/0.41	78/94	2300/2460	154/164	60/61
BA13298V11BMW	115	50/60	0.31/0.36	36/41	1640/1530	107/100	52/51
BA13298V22BMW	230	50/60	0.19/0.21	42/47	1640/1530	107/100	52/51

_ for B / F = Ball Bearing / FMB Bearing