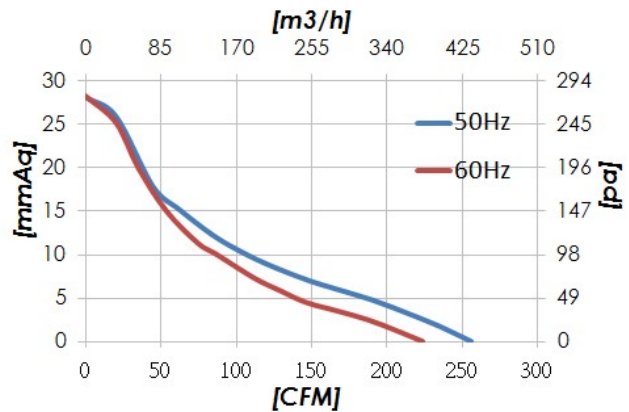
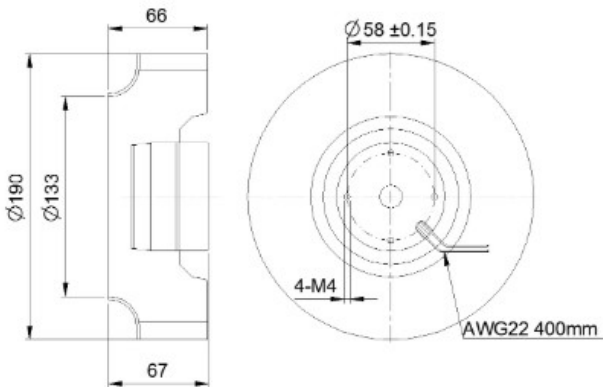


## CFA1967DG SERIES

- Size:  $\Phi 190 \times 67\text{mm}$
- Impeller: Plastic
- Motor: AC Induction Capacitor
- Operating Temperature:  $-20^{\circ}\text{C}$  to  $+70^{\circ}\text{C}$
- Insulation: Class F
- Connection: Lead Wire
- Bearing: Ball Type
- Weight: 870g
- IP Rating: IP54



Model Number	Voltage	Frequency	Current	Power	Speed	Air Flow	Noise
	(V)	(Hz)	(A)	(W)	(RPM)	(CFM)	dB(A)
CFA1967V11BHWDG	115	50/60	0.39/0.42	45/48	2000/1600	256/224	61/59
CFA1967V22BHWDG	230	50/60	0.17/0.19	39/44	2000/1600	256/224	61/59

W: Lead Wires  
B: Ball Type